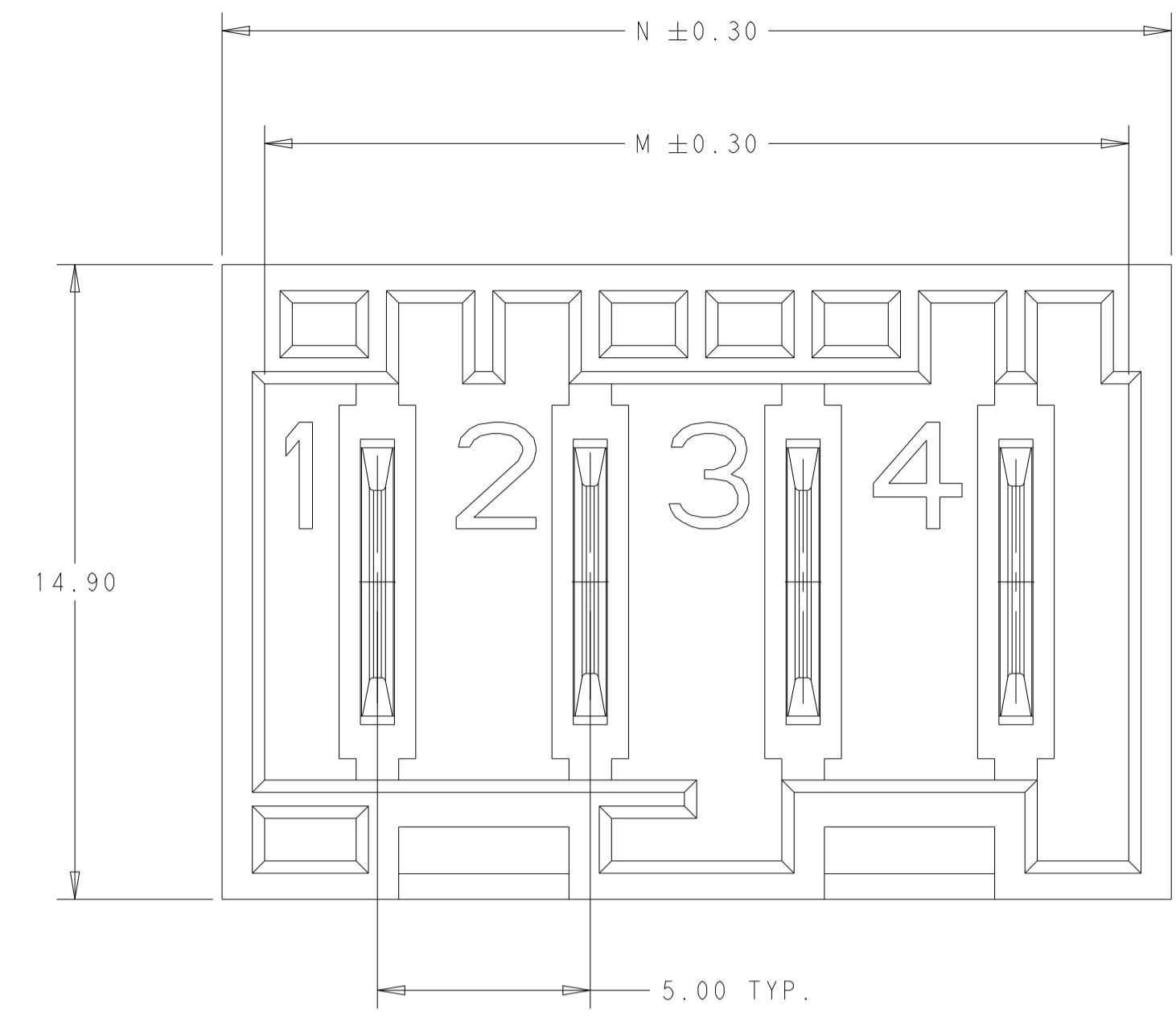
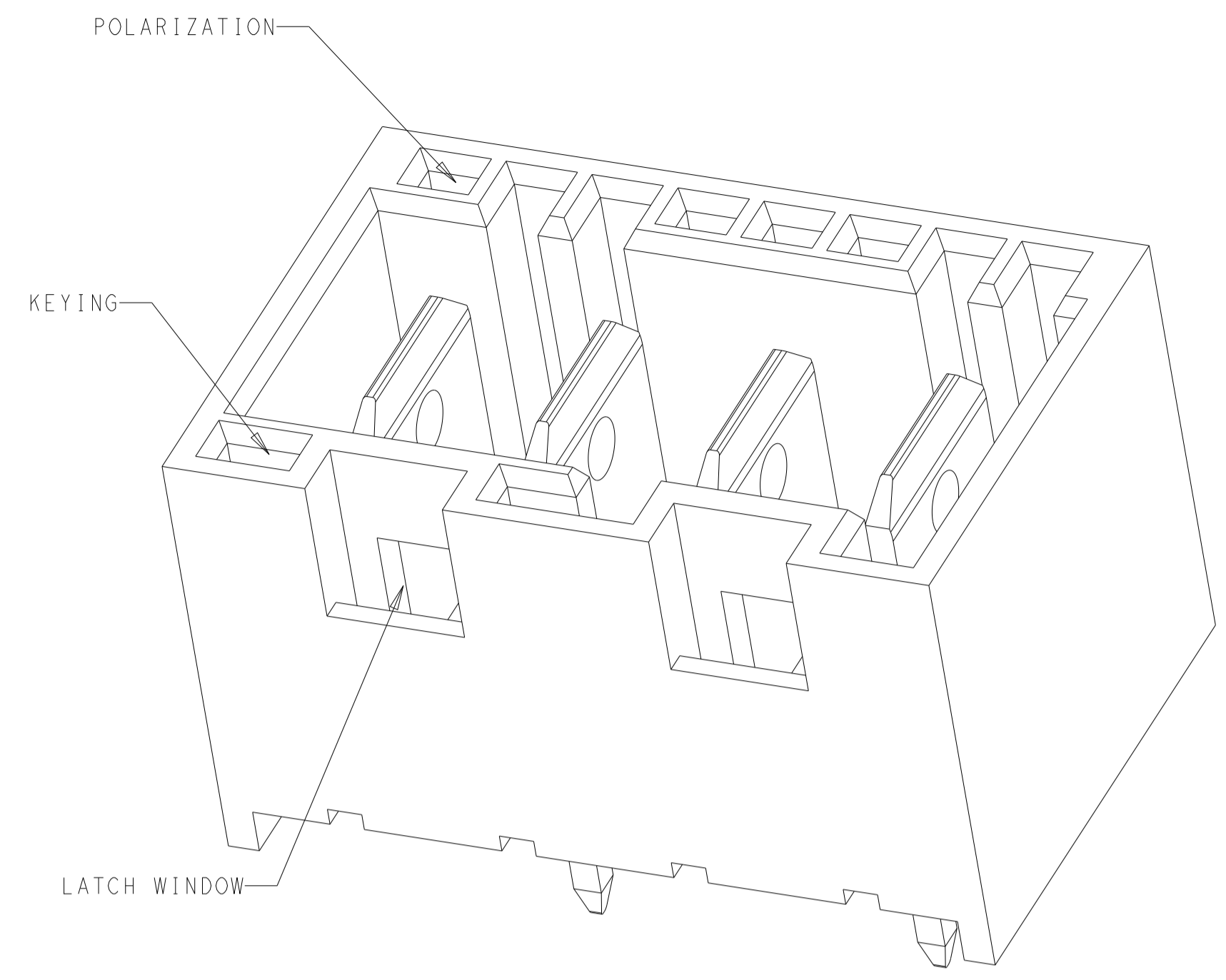
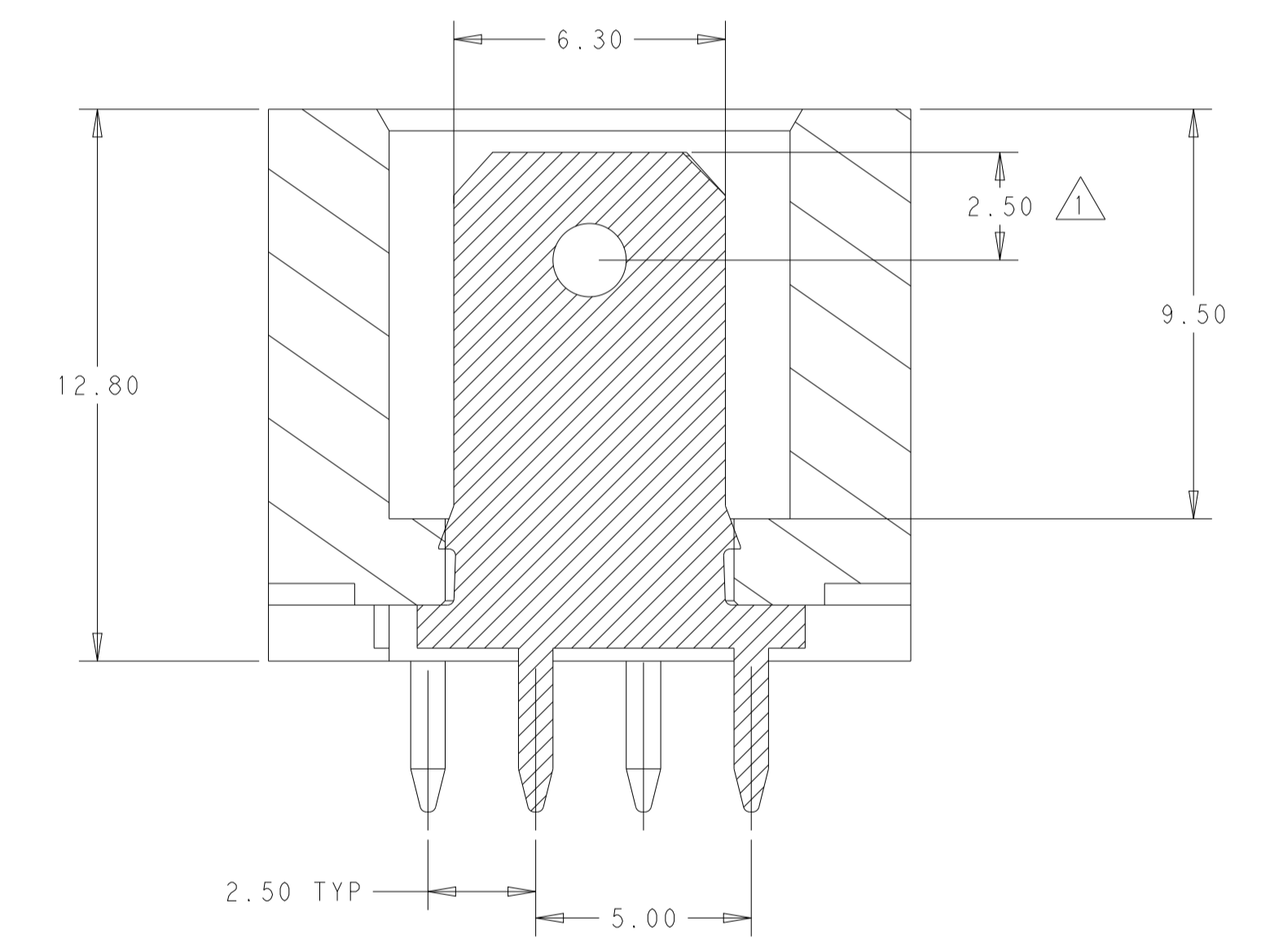
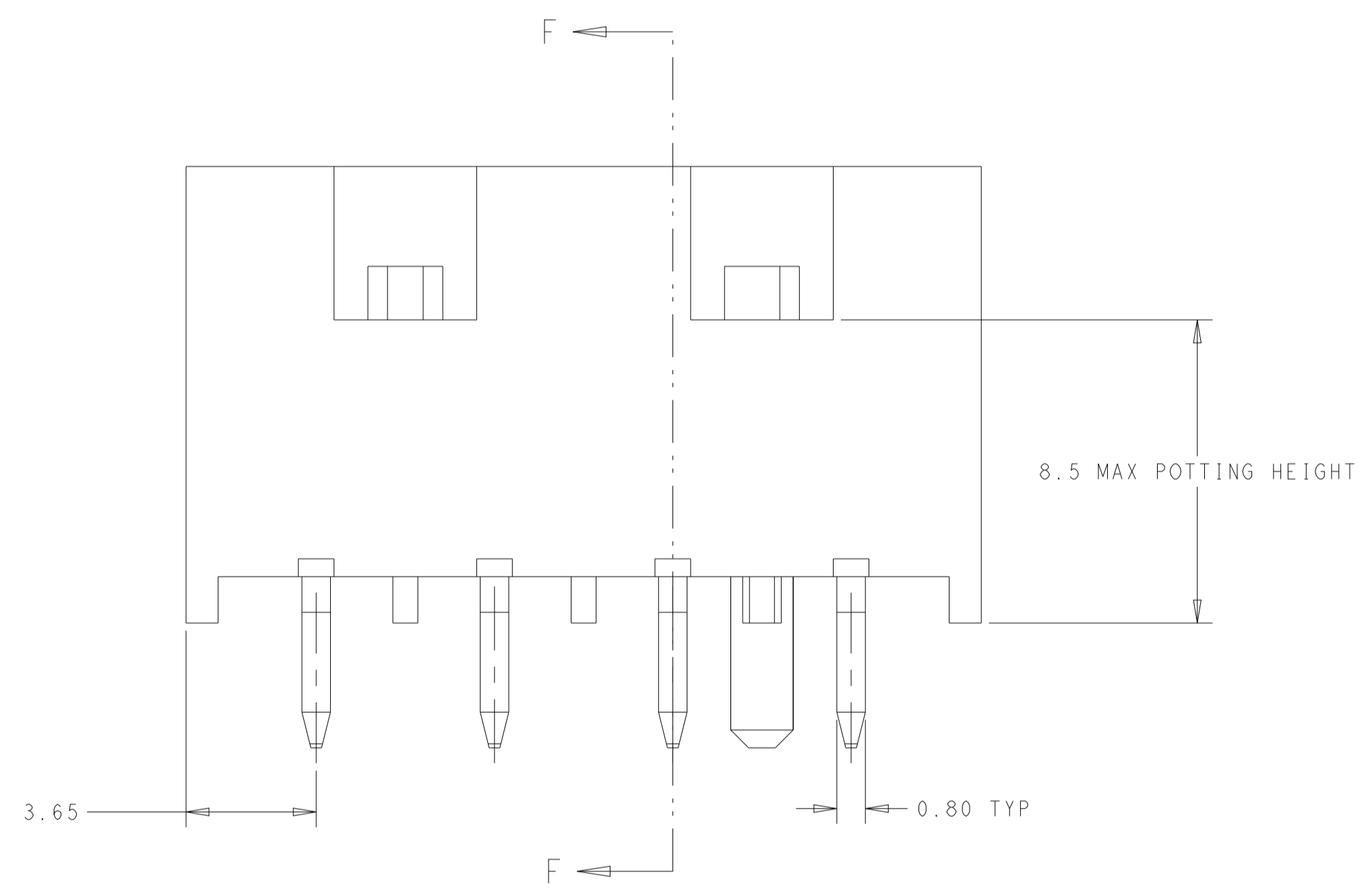
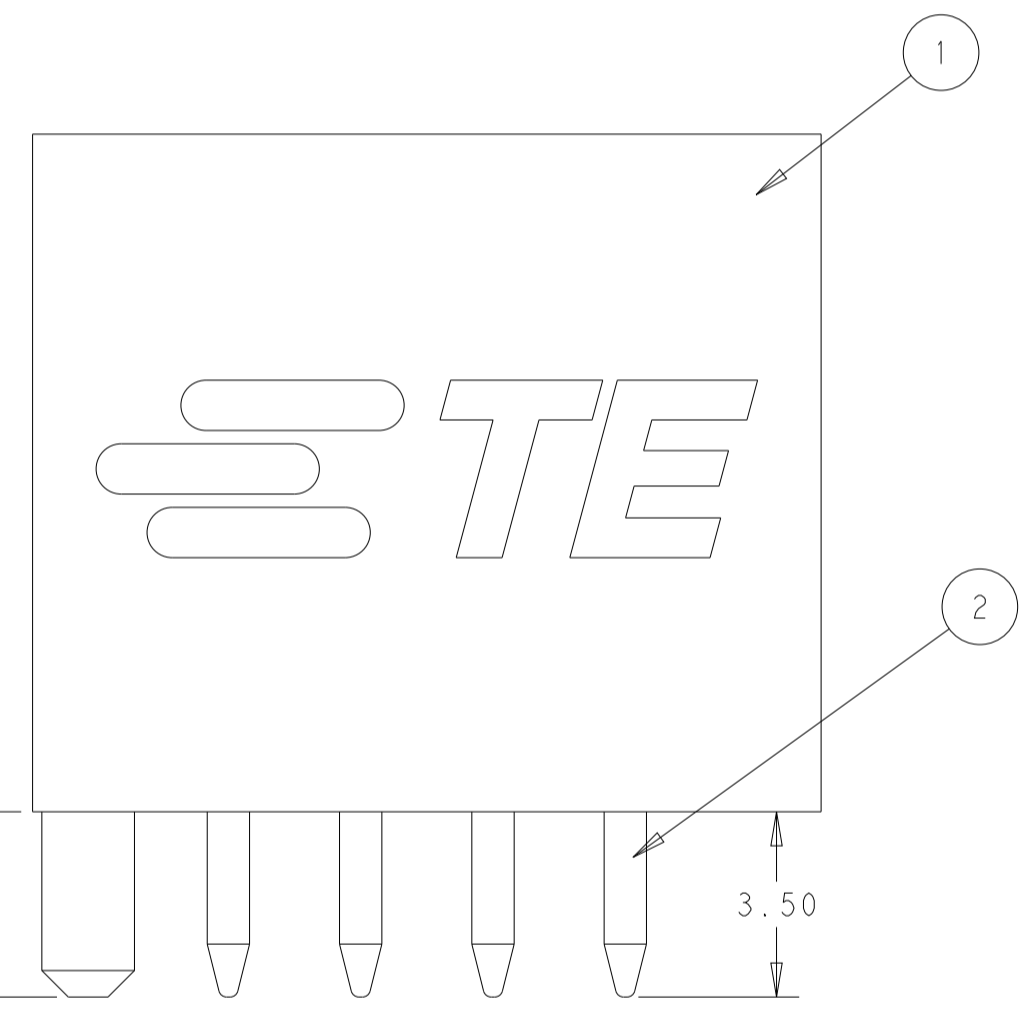


REVISIONS					
P	LTM	DESCRIPTION	DATE	DMN	APVD
A6		ECR-20-100547	16OCT2020	LZ	FL
B		ECR-21-100869	31MAR2021	PJ	FL
B1		ECR-21-105673	06JUL2021	LZ	FL
B2		ECR-21-118862	10NOV2021	SM	FL

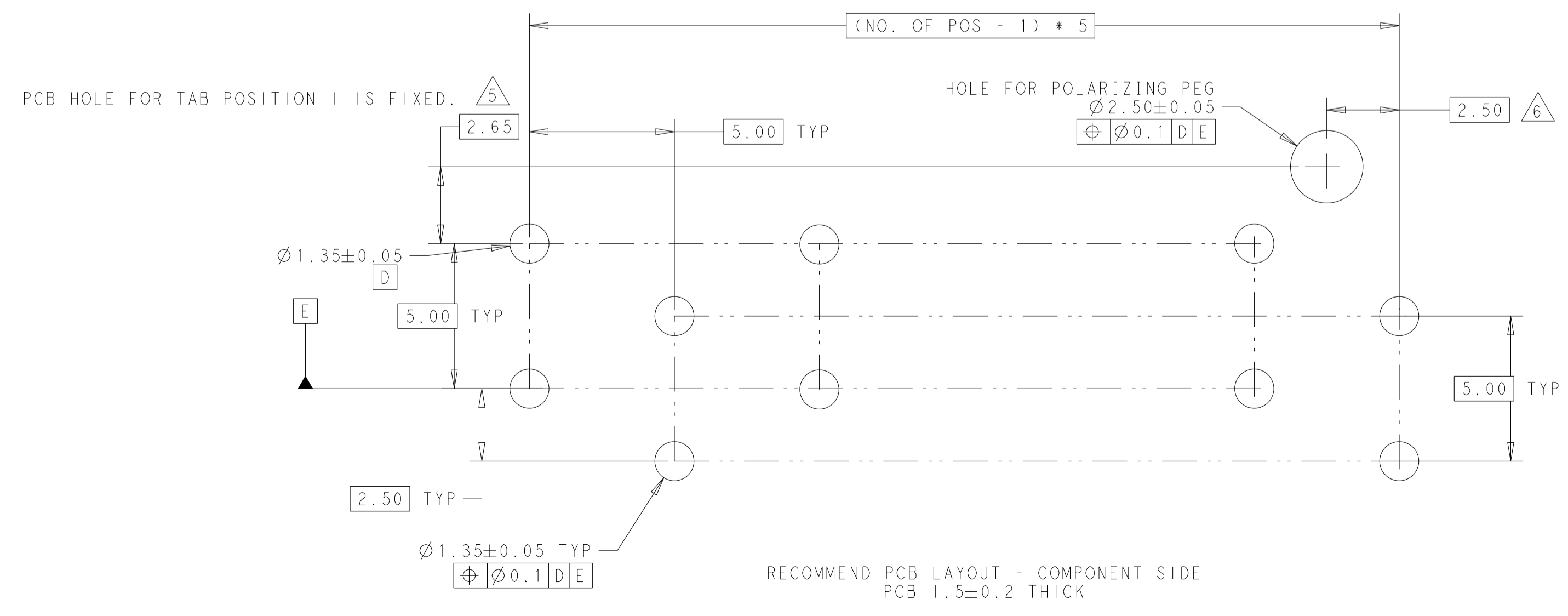


NOTES:

- △ HOUSING HAS RAST 5 COMPLIANT KEYING, LATCHING, AND POLARIZATION TAB IS 6.30 X 0.8, HOWEVER THE LOCATION OF THE TAB HOLE DOES NOT MEET DIN 46244
- 2 SEE SHEET 2 FOR AVAILABLE CONFIGURATIONS
- 3 MATERIAL: HOUSING, NYLON, UL94 V0, 750°C GWT NO FLAME
CONTACT: COPPER ALLOY, 0.8MM THICK
- 4 FINISH: CONTACTS, MATTE TIN PLATING OVERALL, NICKEL UNDER-PLATING
- △ INVOLVED PARTS NOT HAVE THE SAME PCB LAYOUT AS GENERAL VERSION. PCB TABS INSERTED IN A STAGGERED PATTERN BEGINNING WITH POSITION 1 AS SHOWN (PCB HOLE POSITION FOR TAB 1 IS FIXED).
- △ DIMENSION OFF OF LAST POSITION REGARDLESS OF EVEN OR ODD POSITION HEADER
- 7 PACKAGING: LOOSE PIECE
- △ PRELIMINARY PART - NOT RELEASED FOR PRODUCTION THIS PRODUCT HAS NOT COMPLETED QUALIFICATION TESTING
- 9 INVOLVED PARTS HAVE NOT THE SAME PCB LAYOUT



SECTION F-F



△ TOOL MARK ON TERMINAL SURFACE IS ACCEPTABLE WHICH DOES NOT IMPACT FUNCTION

25.30	27.30	5
20.30	22.30	4
15.30	17.30	3
10.30	12.30	2
M	N	NO. OF POS.

THIS DRAWING IS A CONTROLLED DOCUMENT.

DMN	J. POTERJOY	09APR2015
CHK	F. LUPO	09APR2015
APVD	R. ROBONE	09APR2015

TE Connectivity

NAME: RAST 5 HDR ASSY, POSITIVE-LOCK SHROUDED, VERTICAL

PRODUCT SPEC: 108-106080

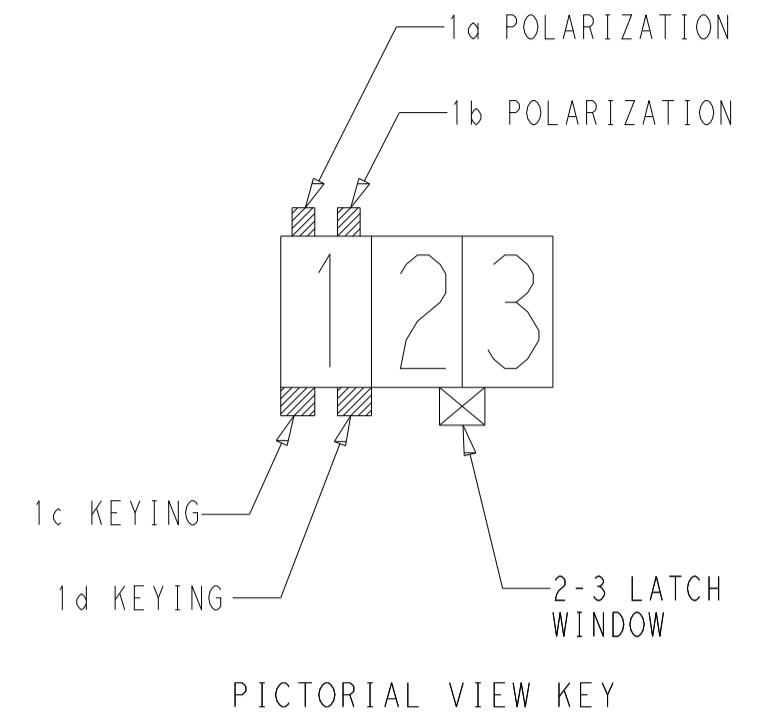
APPLICATION SPEC:

SIZE: A1 CAGE CODE: - DRAWING NO: C=2292457 RESTRICTED TO: -

MATERIAL: SEE NOTES FINISH: SEE NOTES WEIGHT: -

CUSTOMER DRAWING SCALE: 7:1 SHEET 1 OF 2 REV: B3

REVISIONS				
P	LTN	DESCRIPTION	DATE	APVD
-		SEE SHEET 1	-	-



	NATURAL	5	POSITIVE-LOCK TAB CONTACT WITH MATTE TIN PLATING	1	RAST 5 TAB HEADER HOUSING	5	1-2292457-5	/
	NATURAL	5					2292457-5	/
	NATURAL	4					3-2292457-4	3-2390868-4
	NATURAL	4					1-2292457-4	/
	NATURAL	4					2292457-4	2390868-4
	NATURAL	3					1-2292457-3	/
	NATURAL	3					2292457-3	2390868-3
	BLACK	2					3-2292457-2	/
	NATURAL	2					1-2292457-2	1-2390868-2
	NATURAL	2					2292457-2	2390868-2
LAYOUT	COLOR	QTY	TAB CONTACT	QTY	HEADER HOUSING	NO. OF POS	RESIN A	RESIN B
							TE PART NO.	

THIS DRAWING IS A CONTROLLED DOCUMENT.

DIMENSIONS: mm
 TOLERANCES UNLESS OTHERWISE SPECIFIED:
 0 PLC ±
 1 PLC ±.25
 2 PLC ±
 3 PLC ±
 4 PLC ±
 ANGLES ±3°
 FINISH SEE NOTES

DWN J. POTERJOY 09APR2015
 CHK F. LUPO 09APR2015
 APVD R. ROBONE 09APR2015

NAME RAST 5 HDR ASSY, POSITIVE-LOCK SHROUDED, VERTICAL
 PRODUCT SPEC 108-106080
 APPLICATION SPEC

SIZE A1 CAGE CODE - DRAWING NO. C=2292457
 WEIGHT -
 CUSTOMER DRAWING

SCALE 7:1 SHEET 2 OF 2 REV B3

TE Connectivity