

REVISIONS

P	LTR	DESCRIPTION	DATE	DWN	APVD
	A	RELEASED	29MAY'09	S.C	J.K
	B	REVISED PER ECR-19-009721	01JUL2019	M.G	D.Z

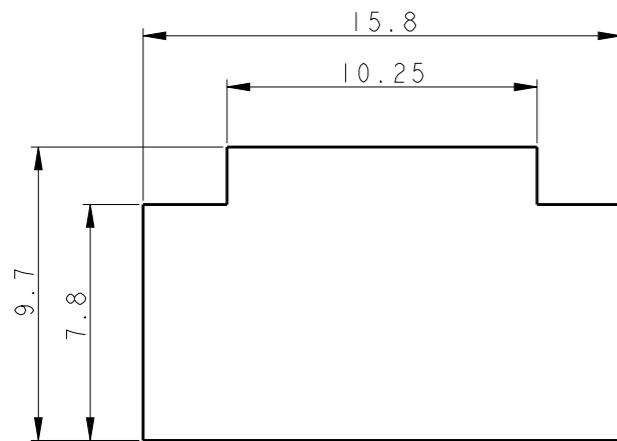
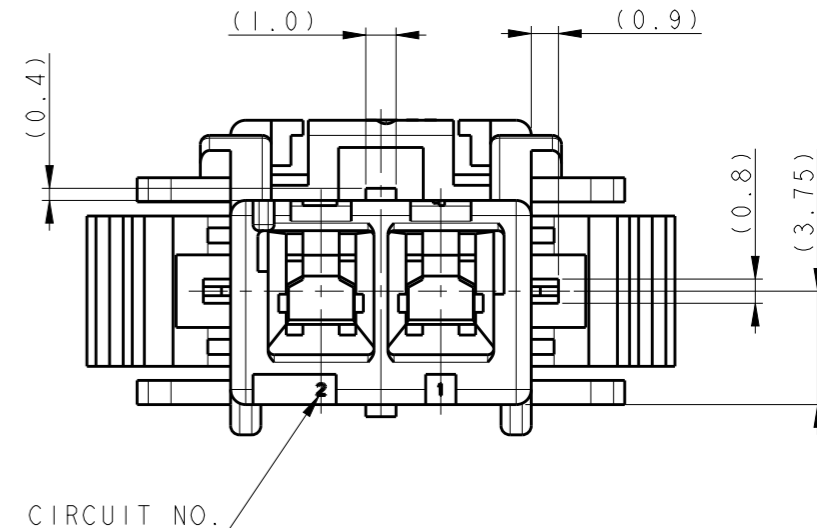
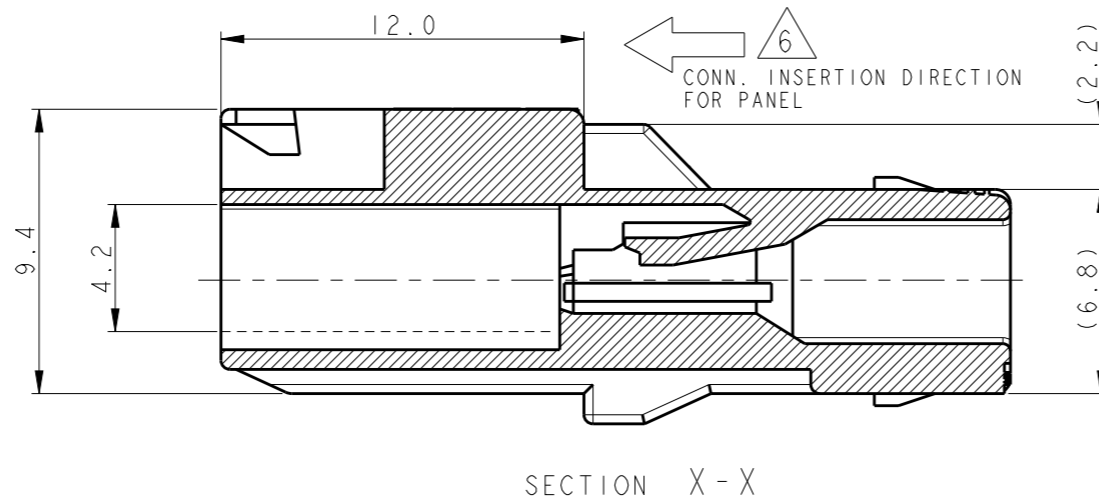
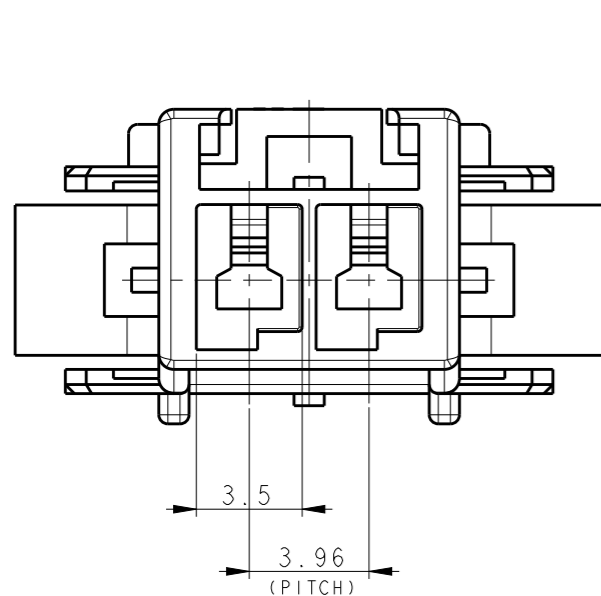
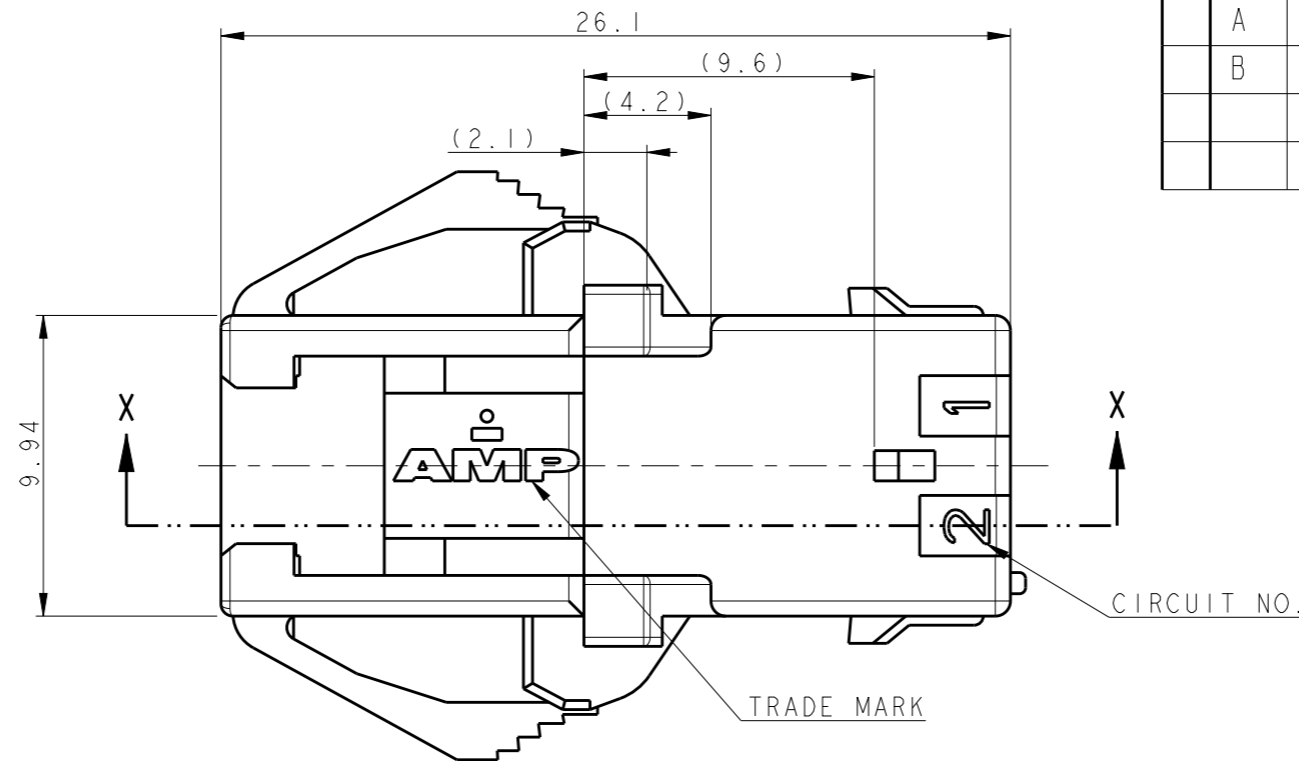


FIG 1. <sup>5</sup> RECOMMENDED PANEL OPENING DIMENSION  
 TOLERANCES: ±0.13



- NOTE:
- THIS HOUSING ACCEPTS TAB TERMINAL:  
 -TAB CONTACT: 177917-□ (AWG#16-#20)  
 177916-□ (AWG#22-#26)
  - MATING CONN. P/N  
 -PLUG HSG: 2005247-□  
 -REC CONTACT: 177915-□ (AWG#16-#20)  
 : 177914-□ (AWG#22-#26)
  - APPLICABLE DOUBLE LOCK PLATE:  
 177918-1(V-0) OR □-368590-1(V-2,GWT)  
 \*IT SHOULD BE USED CERTAINLY WHEN CABLE ASS'Y
  - GENERAL TOLERANCES: ±0.3
  - APPLICATOIN PANEL THICKNESS: 0.8~2.0 (SEE FIG 1.)
  - INSERT CONN. FROM PRESS DIRECTION FOR METAL PANEL.
  - EDGE OF THICKNESS MAY MUST NOT ROUND FOR MOLDED PANEL.
  - MATERIAL: PA66, UL94V-0.  
 COMPLY WITH GLOW WIREREQUIREMENT FOR PARTS OF NON-METALLIC MATERIAL SUPPORTING A CURRENT-CARRYING CONNECTION DETAILED IN IEC 60335-1, SECTION 30(GWT).

THIS DRAWING IS A CONTROLLED DOCUMENT.		DWN SC KIM	TE Connectivity	
DIMENSIONS: mm		CHK BW KANG		
TOLERANCES UNLESS OTHERWISE SPECIFIED:		APVD JK SONG	NAME PDL 2P CAP HSG 3.96mm P/M (GWT)	
0 PLC ± 1 PLC ± 2 PLC ± 3 PLC ± 4 PLC ± ANGLES ±		PRODUCT SPEC 108-5410	SIZE A3	
MATERIAL		APPLICATION SPEC 114-5175	CAGE CODE 00779	DRAWING NO C-2005249
FINISH		WEIGHT -	RESTRICTED TO -	
		CUSTOMER DRAWING		SCALE 4:1
		SHEET 1 OF 1		REV B