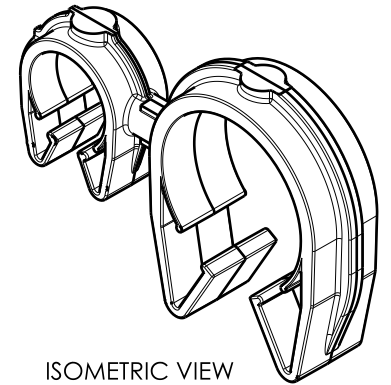
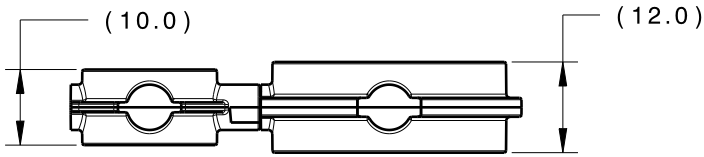
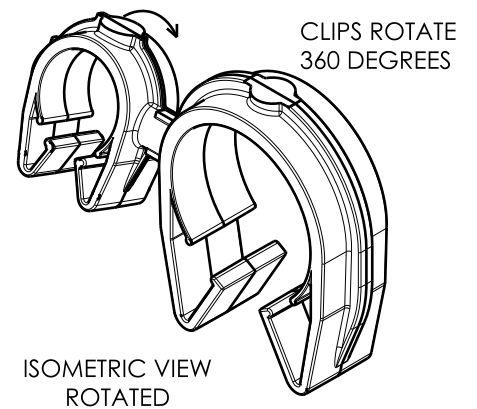
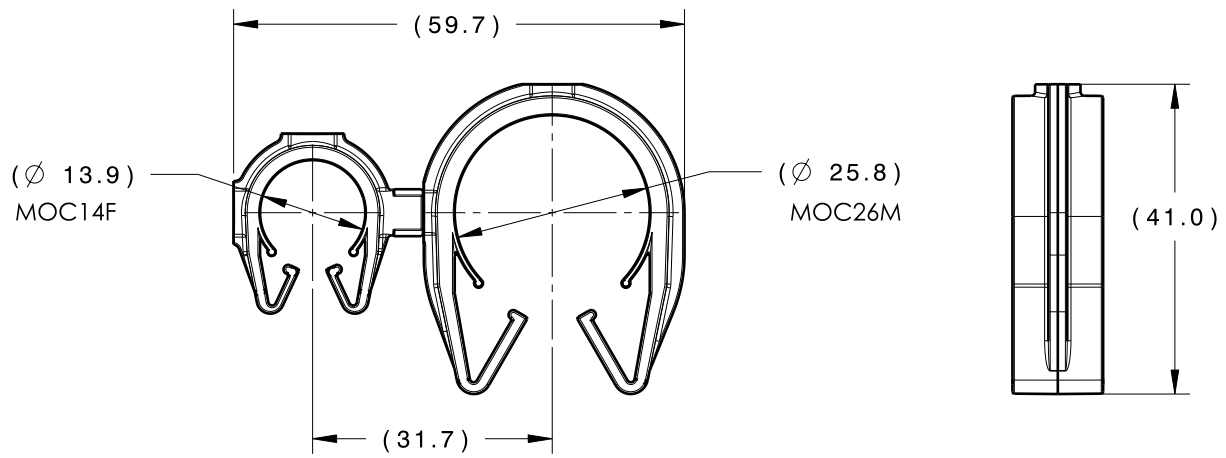


Revision Level			Revision Record	Changed	Date	Approved	Date
Drawing	State	Part					
01.2	DESIGN RELEASE		SEE ECN# 014444	JMC	04/26/18	EJH	04/26/18



ISOMETRIC VIEW



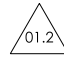
CLIPS ROTATE 360 DEGREES

ISOMETRIC VIEW ROTATED

TYPE	MOC14F	MOC26M
HARNESS	13.0MM-15.0MM	23.0MM-28.5MM
HOSE	13.0MM-15.0MM	23.0MM-28.5MM
HARD PIPE/TUBE	14.0MM-15.8MM	25.9MM-29.0MM

*RECOMMENDED SIZES MAY DIFFER DEPENDING ON THE APPLICATION, PRODUCT REQUIREMENTS AND MATERIALS USED

PATENT PENDING 29/582,271

GLOBAL PART DESCRIPTION 	MOC14F**			MOC26M**		
	DRAWING	MATERIAL	COLOR	DRAWING	MATERIAL	COLOR
MOC14FMOC26M-PA66HIRHSUV-BK	16-0320-000-CSU	PA66HIRHSUV	BLACK	16-0325-000-CSU	PA66HIRHSUV	BLACK

Material SEE CHART COLOR: SEE CHART	Units	millimeters	The copyright of this drawing is reserved by HellermannTyton. It is issued on condition that it is not reproduced, copied or disclosed to a third party, either wholly or in part, without the consent of HellermannTyton.	Drawn	TAT	2/22/17	Article/Type-No	MOC14FMOC26M		Scale	1:1
	Tolerance defined on each dimension	Approved		EJH	2/28/17	Title		14MM MOC COUPLED TO A 26MM MOC		Project Number	16-0326
		North America Email: corp@htamericas.com Web: www.hellermann.tyton.com		Drawing-No			PRODUCTION : Phase		Format	AH	
16-0326-485-CSU 			Sheet		1/1						