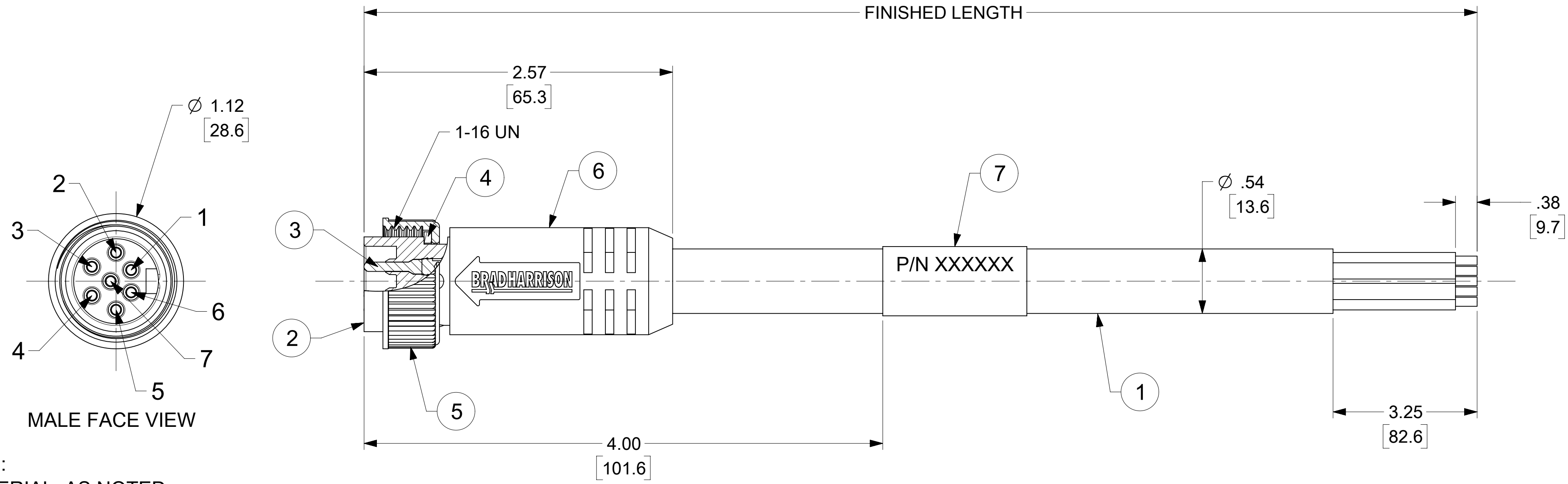
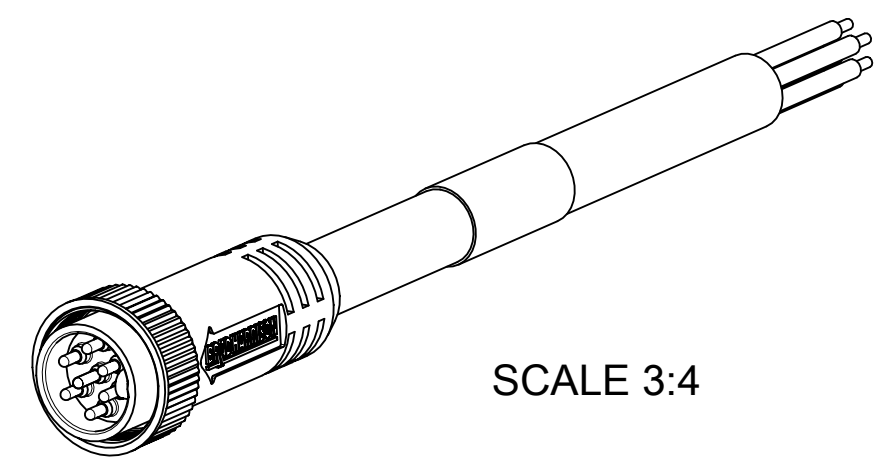


MATERIAL NO.	ENGINEERING NO.	FINISHED LENGTH
1300070113	207002A01F030	3 FT (0.91 M)
1300070115	207002A01F060	6 FT (1.82 M)
1300070117	207002A01F120	12 FT (3.65 M)
1300070442	207002A01F150	15 FT (4.57 M)

**CABLE LENGTH TOLERANCES**  
 <.3M [1FT]: +19mm-0 [+ .75in-0]  
 .3 - .9M [1 - 3FT]: +44.5mm-0 [+1.75in-0]  
 .9 - 1.8M [3 - 6FT]: +55.6mm-0 [+2.19in-0]  
 1.8 - 3.7M [6 - 12FT]: +88.9mm-0 [+3.50in-0]  
 3.7 - 7.3M [12 - 24FT]: +165.1mm-0 [+6.50in-0]  
 7.3-14.6M [24 - 48FT]: +317.5mm-0 [+12.50in-0]  
 14.6 - 30.5M [48-100FT]: +622.3mm-0 [+24.50in-0]  
 OVER 30M [100FT] +2% OF FINISHED LENGTH



- NOTES:**
- MATERIAL: AS NOTED
  - FINISH: AS NOTED
  - ELECTRICAL:  
 VOLTAGE: 320V PER IEC60664  
 600V PER UL2238  
 CURRENT: 8A
  - TEMP RATING: -20°C TO +105°C
  - PROTECTION: IP67 (WHEN MATED)
  - CSA CERTIFIED FILE: LR6837
  - UL RECOGNIZED FILE: E152210
  - ALL DIMS ARE FOR REFERENCE UNLESS TOLERANCED OR NOTED OTHERWISE

**WIRING DIAGRAM**

1	WHITE/BLACK
2	BLACK
3	WHITE
4	RED
5	ORANGE
6	BLUE
7	GREEN/YELLOW

**PART NUMBER LEGEND**

207000A01F030

FINISHED LENGTH  
 F001= .1 FT  
 F020= 2 FT  
 F200= 20 FT

ITEM	DESCRIPTION	MATERIAL	FINISH
7	WRAP LABEL	VINYL	BLACK/YELLOW
6	OVERMOLD	TPE	YELLOW
5	COUPLING NUT	ZINC DIE CAST	BLACK E-COAT
4	FRICTION RING	NYLON	WHITE
3	PIN CONTACT	Cu ALLOY	GOLD OVER NICKEL
2	MALE INSERT	TPE	YELLOW
1	CABLE, 16-7, STOOV/ST	PVC JACKET	YELLOW

FUNCTIONAL SYMBOLS	THIS DRAWING CONTAINS INFORMATION THAT IS PROPRIETARY TO MOLEX ELECTRONIC TECHNOLOGIES, LLC AND SHOULD NOT BE USED WITHOUT WRITTEN PERMISSION																				
	DIMENSION UNITS	SCALE		CURRENT REV DESC: UPDATED ITEM #2,6 & 7. ADDED CSA, UL, IEC VOLT, TEMP RATING, IP RATING & TOL. CHART. MODIFIED PN CHART						<b>molex</b>											
	INCH/MM	1.5:1																			
	GENERAL TOLERANCES (UNLESS SPECIFIED)																				
DIVISIONAL SYMBOLS	4 PLACES	±	MM	±	INCH	EC NO: 718076				2021/06/06											
	3 PLACES	±		±		DRWN: VHANDI				2022/08/18											
	2 PLACES	±		±		CHK'D: RSTONE				2022/08/22											
	1 PLACE	±		±		APPR: BWOODMAN															
DRAFT WHERE APPLICABLE MUST REMAIN WITHIN DIMENSIONS										THIRD ANGLE PROJECTION		DRAWING		SERIES		MATERIAL NUMBER		CUSTOMER		SHEET NUMBER	
										C-SIZE		130007		SEE TABLE		GENERAL MARKET		1 OF 1			