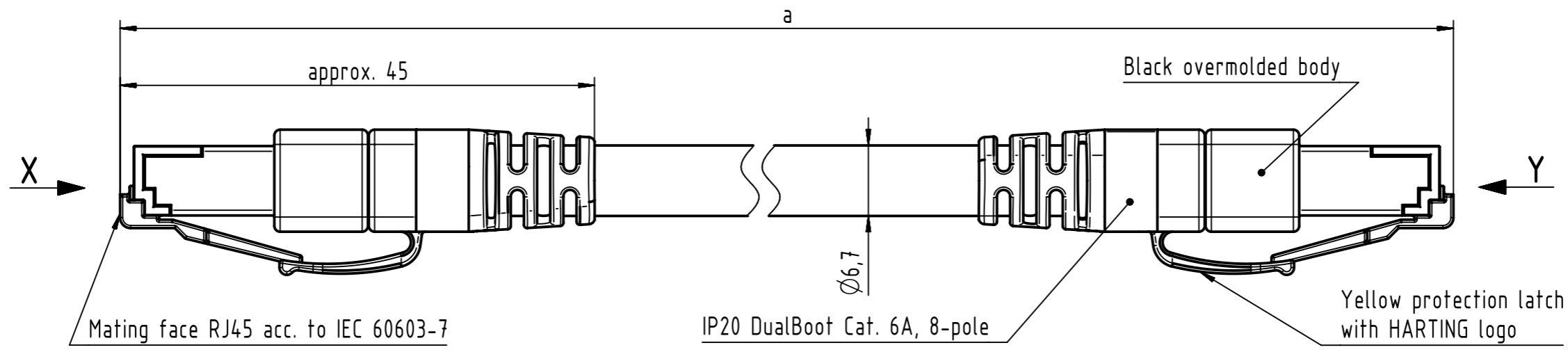
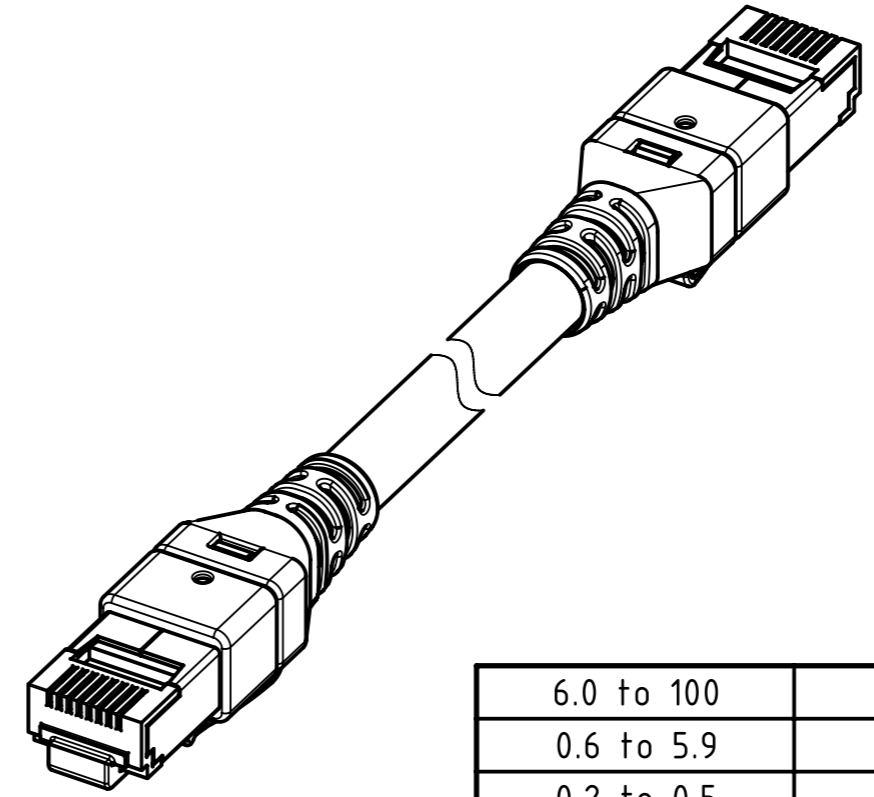
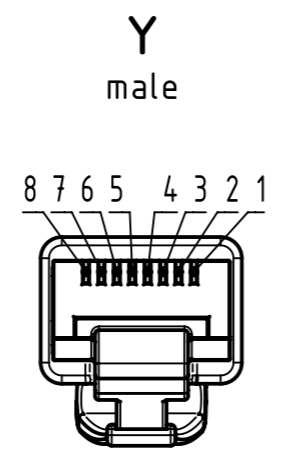
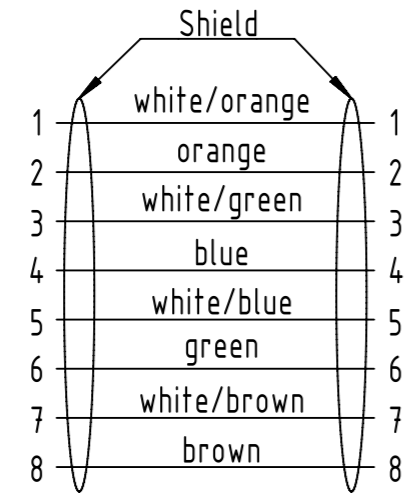
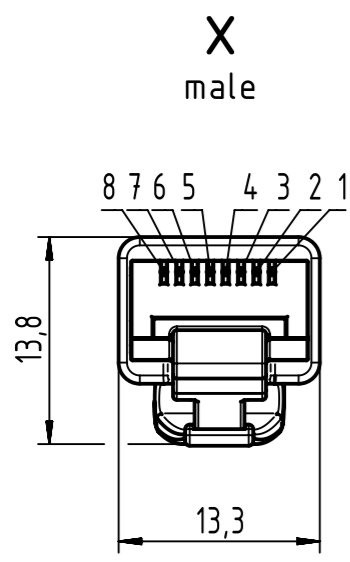


Connector Location A

Connector Location B



Loading Plan acc. to TIA/EIA 568B



length in "1m" step	100	XXX=000
	99	XXX=990
	.	.
	12	XXX=120
length in "0.1m" step	11	XXX=110
	10	XXX=100
	9.9	XXX=099
	9.8	XXX=098
	.	.
	0.5	XXX=005
	0.4	XXX=004
	0.3	XXX=003
	0.2	XXX=002
Step	a [m]	XXX

6.0 to 100	±1%
0.6 to 5.9	+0.04
0.2 to 0.5	+0.02
a [m]	Tolerance

RJ45 Ethernet Stranded Cable, 4x2xAWG 26/7, PUR, Cat. 6A, yellow	09484747756XXX
Type of cable	Part no.

NOTE:
 For lengths < 1.0m:
 - relative positioning of the connectors to each other shall be as presented in the drawing, however with an admissible angular deviation around cable axis of ± 30°
 For lengths ≥ 1.0m:
 -relative positioning of the connectors to each other not obligatory

NOTE:
 * Ethernet transmission possible for lengths up to 45m

Temperature range:
 - Fixed installation: -40°C ... +80°C
 - Dynamic installation: -40°C ... +80°C

	All rights reserved	Created by COSTEA	Inspected by 402676 Gross	Standardisation MUNTEANV Muntean	Date 2020-04-06	State Final Release
	Department HCS - RO	Title RJ45 DB Cat6a Cable Assembly PUR		Doc-Key / ECM-Nr. 100170398/UGD/024/F 500000173178		Rev. F
HARTING Customised Solutions D-32339 Espelkamp		Type TB	Number 09484747756XXX		Page 1/1	