

MATERIALS AND FINISHES:

SMP PLUG:
SEE SD-73415-416

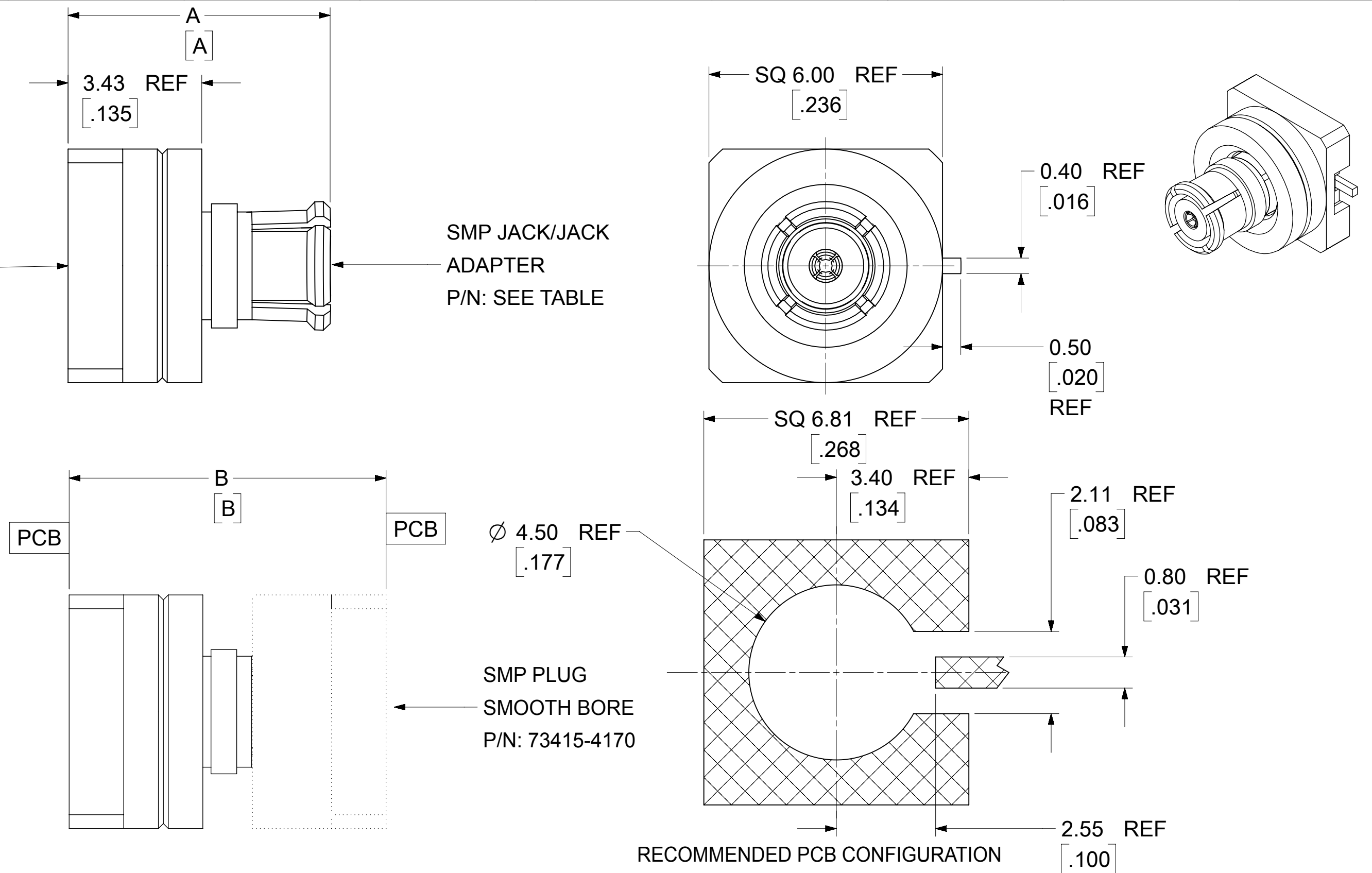
SMP JACK/JACK ADAPTER:
SEE SD-73415-418

KAPTON: POLYIMIDE
COLOR: BLACK

SMP PLUG
FULL DETENT
P/N: 73415-4160

SMP JACK/JACK
ADAPTER
P/N: SEE TABLE

SMP PLUG
SMOOTH BORE
P/N: 73415-4170

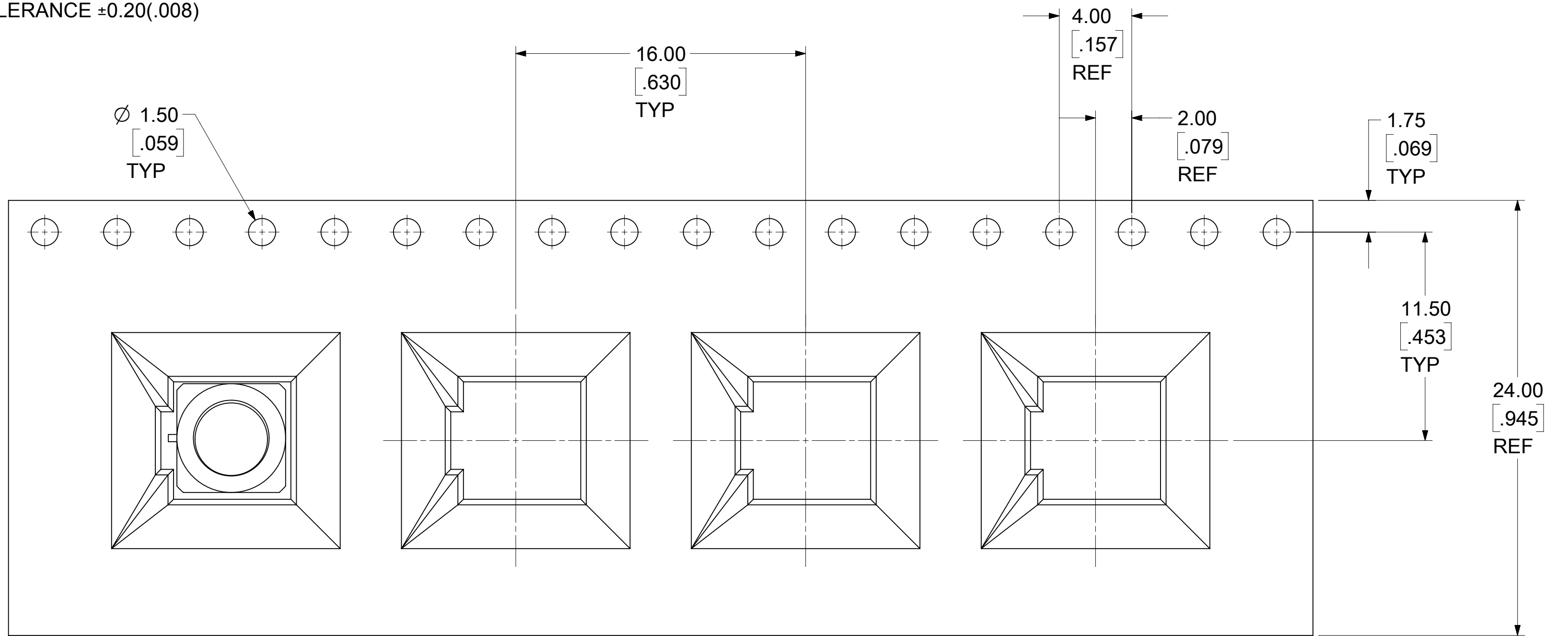


73415-4218	73415-4185	.281±.005	7.14±0.13	.332±.008	8.43±0.20	-4214 ONE PER BAG	895420470
73415-4217	73415-4184	.306±.006	7.77±0.15	.357±.009	9.07±0.23	-4213 ONE PER BAG	895420470
73415-4216	73415-4180	.219±.005	5.56±0.13	.270±.008	6.86±0.20	-4211 ONE PER BAG	895420470
73415-4215	73415-4181	.265±.005	6.73±0.13	.316±.008	8.03±0.20	-4210 ONE PER BAG	895420470
73415-4214	73415-4185	.281±.005	7.14±0.13	.332±.008	8.43±0.20	-4214 WITH TAPE & REEL WITH KAPTON	-----
73415-4213	73415-4184	.306±.006	7.77±0.15	.357±.009	9.07±0.23	-4213 WITH TAPE & REEL WITH KAPTON	-----
73415-4212	73415-4181	.265±.005	6.73±0.13	.316±.008	8.03±0.20	-4210 WITH TAPE & REEL WITH KAPTON	-----
73415-4211	73415-4180	.219±.005	5.56±0.13	.270±.008	6.86±0.20	-4211 WITH TRAY	895420040
73415-4210	73415-4181	.265±.005	6.73±0.13	.316±.008	8.03±0.20	-4210 WITH TRAY	895420040
PART NO.	SMP JACK/JACK	IN	MM	IN	MM	PACKAGING	PACKING SPEC
		DIM A		DIM B			

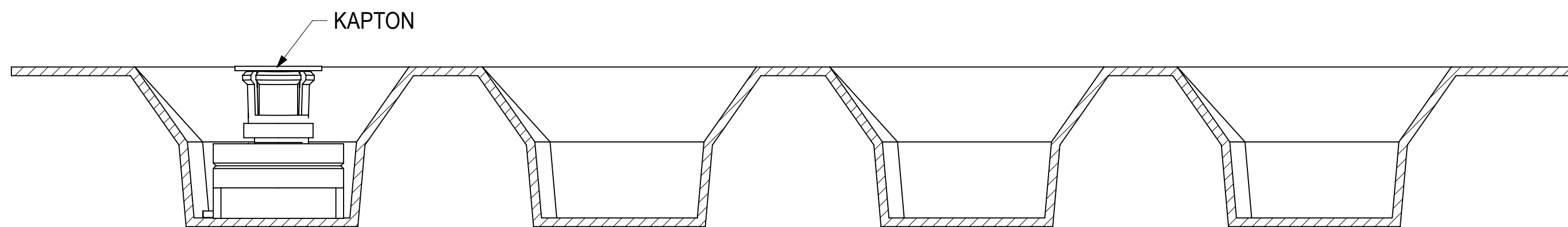
FUNCTIONAL SYMBOLS $\frac{F}{A} = 0$ $\frac{F}{C} = 0$ $\frac{F}{P} = 0$ #####	THIS DRAWING CONTAINS INFORMATION THAT IS PROPRIETARY TO MOLEX ELECTRONIC TECHNOLOGIES, LLC AND SHOULD NOT BE USED WITHOUT WRITTEN PERMISSION		CURRENT REV DESC:																					
	DIMENSION UNITS: MM/IN SCALE: NTS		EWR # 15321-E ADDED -4215, -4216, -4217, -4218 PART NO																					
	GENERAL TOLERANCES (UNLESS SPECIFIED)		EC NO: 718007 DRWN: BSHAH 2020/01/02 CHK'D: YCHENG 2022/08/24 APPR: YCHENG 2022/08/24																					
	<table border="1"> <thead> <tr> <th></th> <th>MM</th> <th>INCH</th> </tr> </thead> <tbody> <tr> <td>4 PLACES</td> <td>±</td> <td>±</td> </tr> <tr> <td>3 PLACES</td> <td>±</td> <td>± 0.01</td> </tr> <tr> <td>2 PLACES</td> <td>± 0.25</td> <td>±</td> </tr> <tr> <td>1 PLACE</td> <td>±</td> <td>±</td> </tr> <tr> <td>0 PLACES</td> <td>±</td> <td>±</td> </tr> <tr> <td>ANGULAR TOL</td> <td colspan="2">± 0.5 °</td> </tr> </tbody> </table>			MM		INCH	4 PLACES	±	±	3 PLACES	±	± 0.01	2 PLACES	± 0.25	±	1 PLACE	±	±	0 PLACES	±	±	ANGULAR TOL	± 0.5 °	
	MM	INCH																						
4 PLACES	±	±																						
3 PLACES	±	± 0.01																						
2 PLACES	± 0.25	±																						
1 PLACE	±	±																						
0 PLACES	±	±																						
ANGULAR TOL	± 0.5 °																							
DRAFT WHERE APPLICABLE MUST REMAIN WITHIN DIMENSIONS		THIRD ANGLE PROJECTION	DRAWING: C-SIZE	SERIES: 73415	DOCUMENT NUMBER: SD-73415-421 DOC TYPE: PSD DOC PART: 001 REVISION: B6																			
MATERIAL NUMBER: SEE TABLE		CUSTOMER:		SHEET NUMBER: 1 OF 7																				

NOTE:

1. 10 PITCHES CUMULATIVE TOLERANCE ±0.20(.008)



FOR 73415-4212 ONLY



FUNCTIONAL SYMBOLS	THIS DRAWING CONTAINS INFORMATION THAT IS PROPRIETARY TO MOLEX ELECTRONIC TECHNOLOGIES, LLC AND SHOULD NOT BE USED WITHOUT WRITTEN PERMISSION									
	DIMENSION UNITS		SCALE		CURRENT REV DESC:					
$\frac{F}{A} = 0$	MM/IN		NTS		EWR # 15321-E ADDED -4215, -4216, -4217, -4218 PART NO					
$\frac{F}{C} = 0$	GENERAL TOLERANCES (UNLESS SPECIFIED)									
$\frac{F}{P} = 0$	4 PLACES		±		EC NO: 718007					
#####	3 PLACES		±		0.01		DRWN: BSHAH 2020/01/02			
	2 PLACES		±		0.25		CHK'D: YCHENG 2022/08/24			
	1 PLACE		±				APPR: YCHENG 2022/08/24			
	0 PLACES		±				INITIAL REVISION:			
	ANGULAR TOL		±		0.5°		DRWN: AZR 2004/03/24			
	DRAFT WHERE APPLICABLE MUST REMAIN WITHIN DIMENSIONS		THIRD ANGLE PROJECTION		DRAWING		SERIES		MATERIAL NUMBER	
					C-SIZE		73415		SEE TABLE	
									CUSTOMER	
									SHEET NUMBER	
									2 OF 7	

molex

SMP ADAPTER ASSEMBLY 50?
EWR-11818, SMP-P/J/PCB

PRODUCT CUSTOMER DRAWING

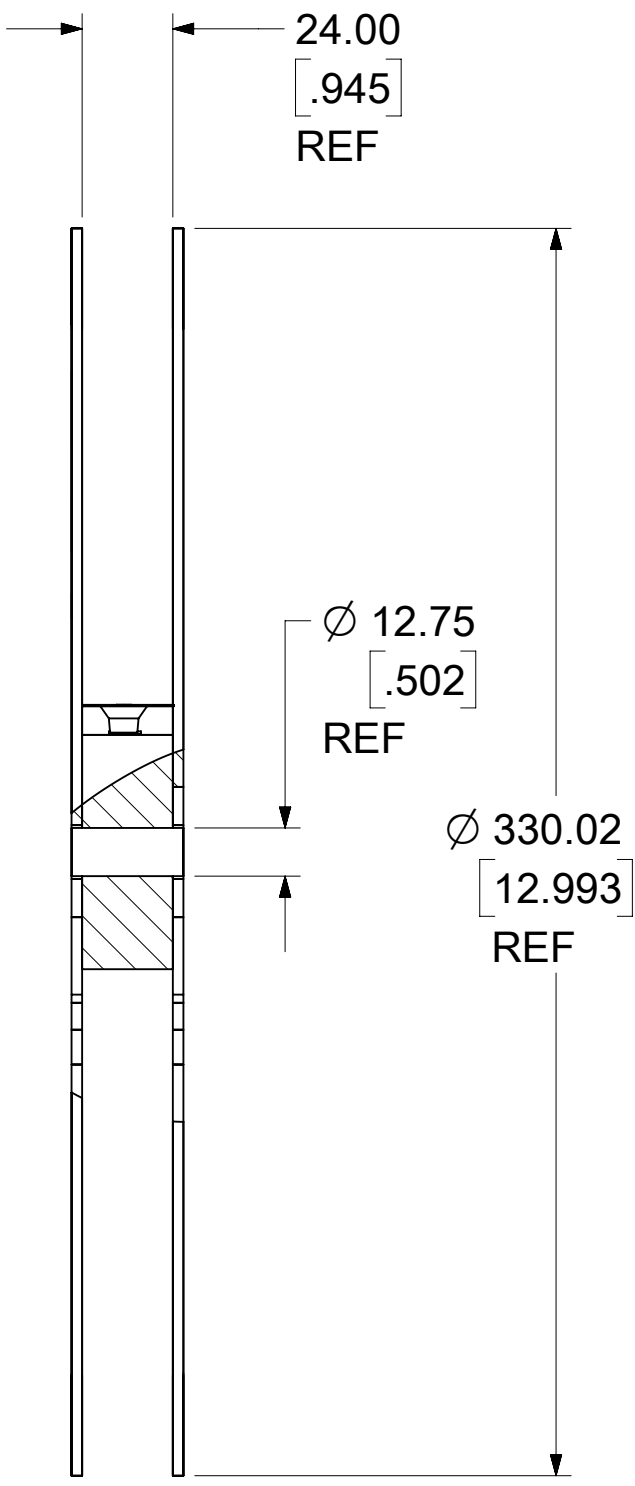
DOCUMENT NUMBER
SD-73415-421

DOC TYPE
PSD

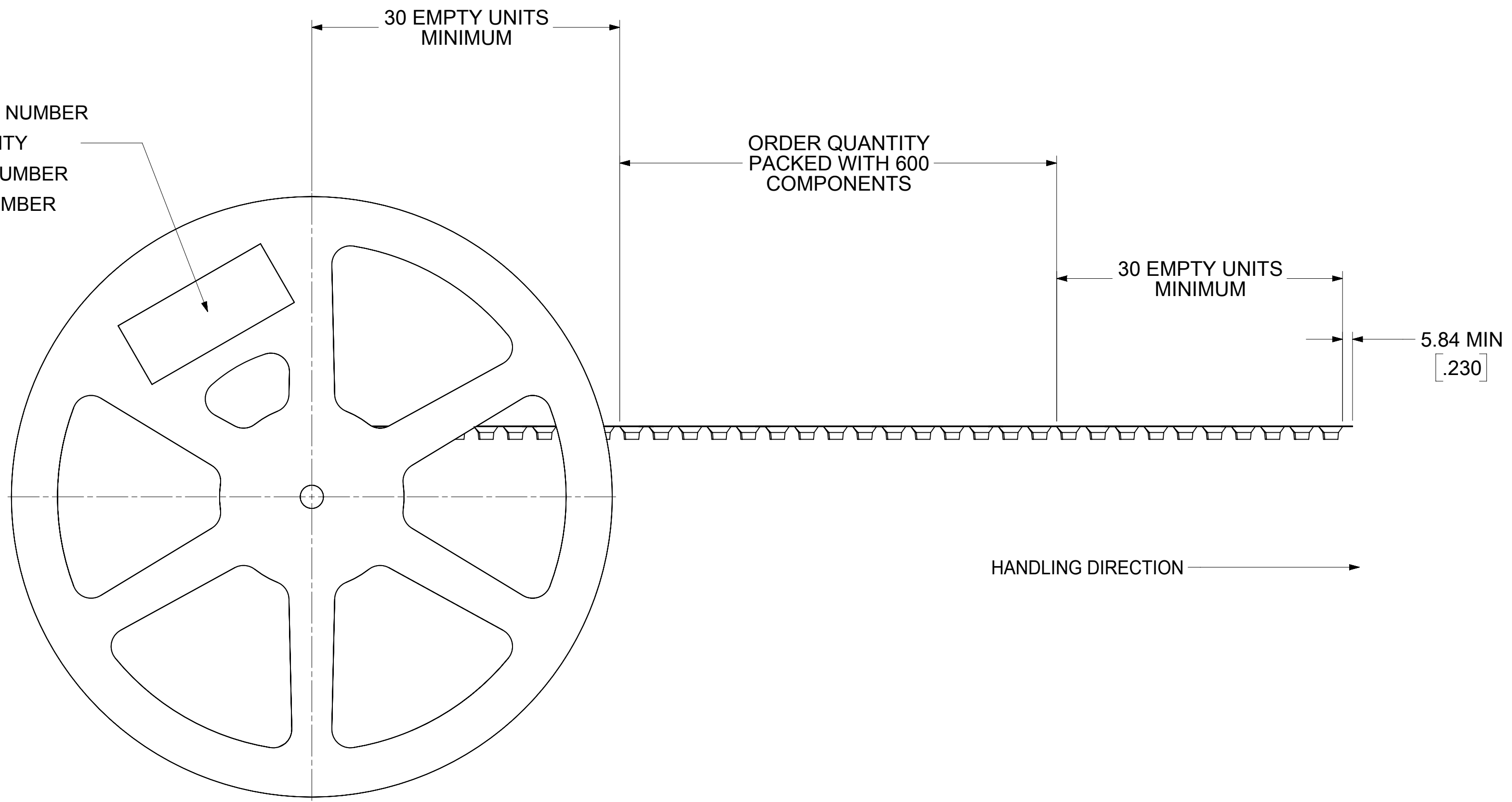
DOC PART
001

REVISION
B6

DOCUMENT STATUS | P1 | RELEASE DATE | 2022/08/24 02:18:05



LABEL :
 -ORDER NUMBER
 -QUANTITY
 -PART NUMBER
 -LOT NUMBER

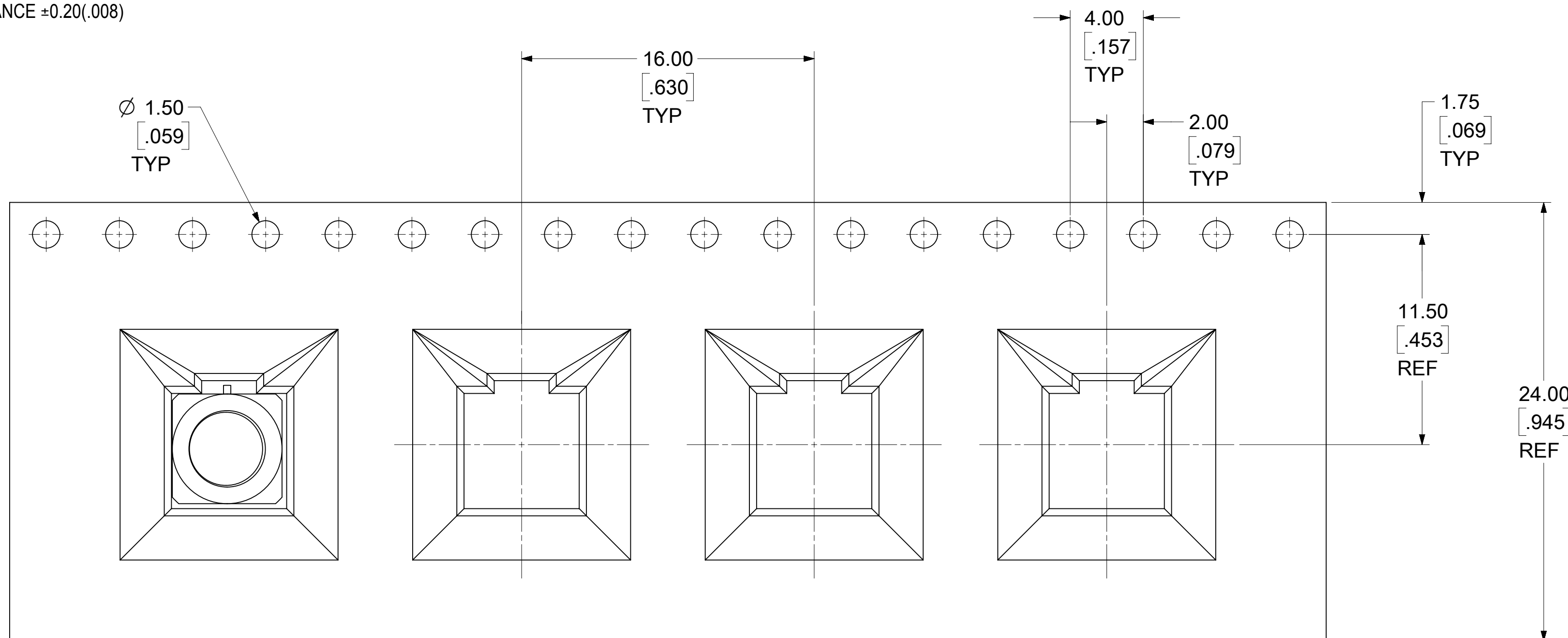


FOR 73415-4212 ONLY

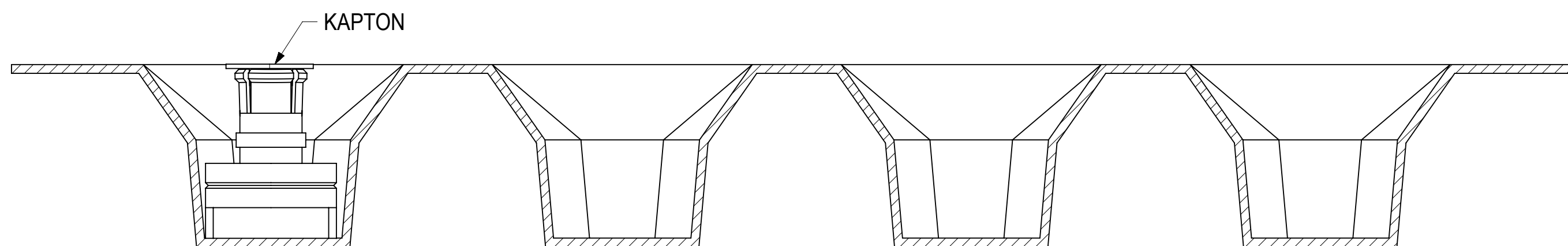
FUNCTIONAL SYMBOLS $\frac{F}{A} = 0$ $\frac{F}{C} = 0$ $\frac{F}{P} = 0$ #####	THIS DRAWING CONTAINS INFORMATION THAT IS PROPRIETARY TO MOLEX ELECTRONIC TECHNOLOGIES, LLC AND SHOULD NOT BE USED WITHOUT WRITTEN PERMISSION												
	DIMENSION UNITS		SCALE		CURRENT REV DESC:								
	MM/IN		NTS		EWR # 15321-E ADDED -4215 , -4216 , -4217 , -4218 PART NO								
	GENERAL TOLERANCES (UNLESS SPECIFIED)												
	4 PLACES		±		EC NO: 718007		2020/01/02		SMP ADAPTER ASSEMBLY 50? EWR-11818, SMP-P/J/PCB				
	3 PLACES		±	± 0.01	DRWN: BSHAH		2022/08/24						
	2 PLACES		±	0.25	CHK'D: YCHENG		2022/08/24						
	1 PLACE		±		APPR: YCHENG		2022/08/24		PRODUCT CUSTOMER DRAWING				
	0 PLACES		±		INITIAL REVISION:				DOCUMENT NUMBER		DOC TYPE	DOC PART	REVISION
	ANGULAR TOL		±	0.5 °	DRWN: AZR		2004/03/24		SD-73415-421		PSD	001	B6
DRAFT WHERE APPLICABLE MUST REMAIN WITHIN DIMENSIONS		THIRD ANGLE PROJECTION		DRAWING		SERIES		MATERIAL NUMBER		CUSTOMER		SHEET NUMBER	
				C-SIZE		73415		SEE TABLE				3 OF 7	

NOTE:

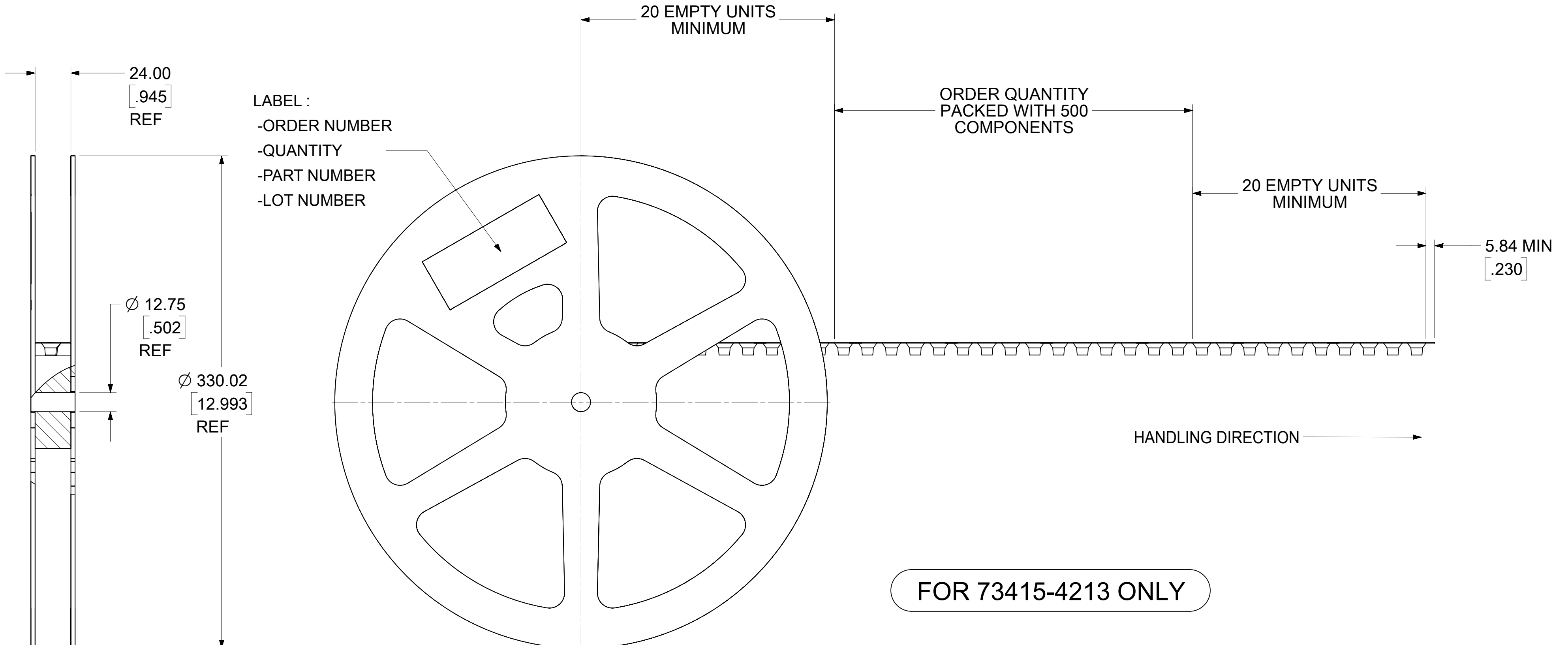
1. 10 PITCHES CUMULATIVE TOLERANCE ±0.20(.008)



FOR 73415-4213 ONLY



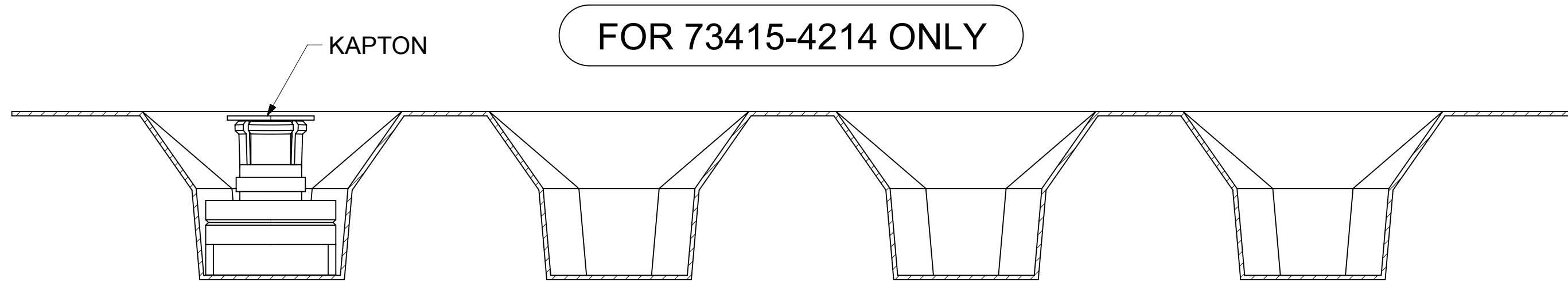
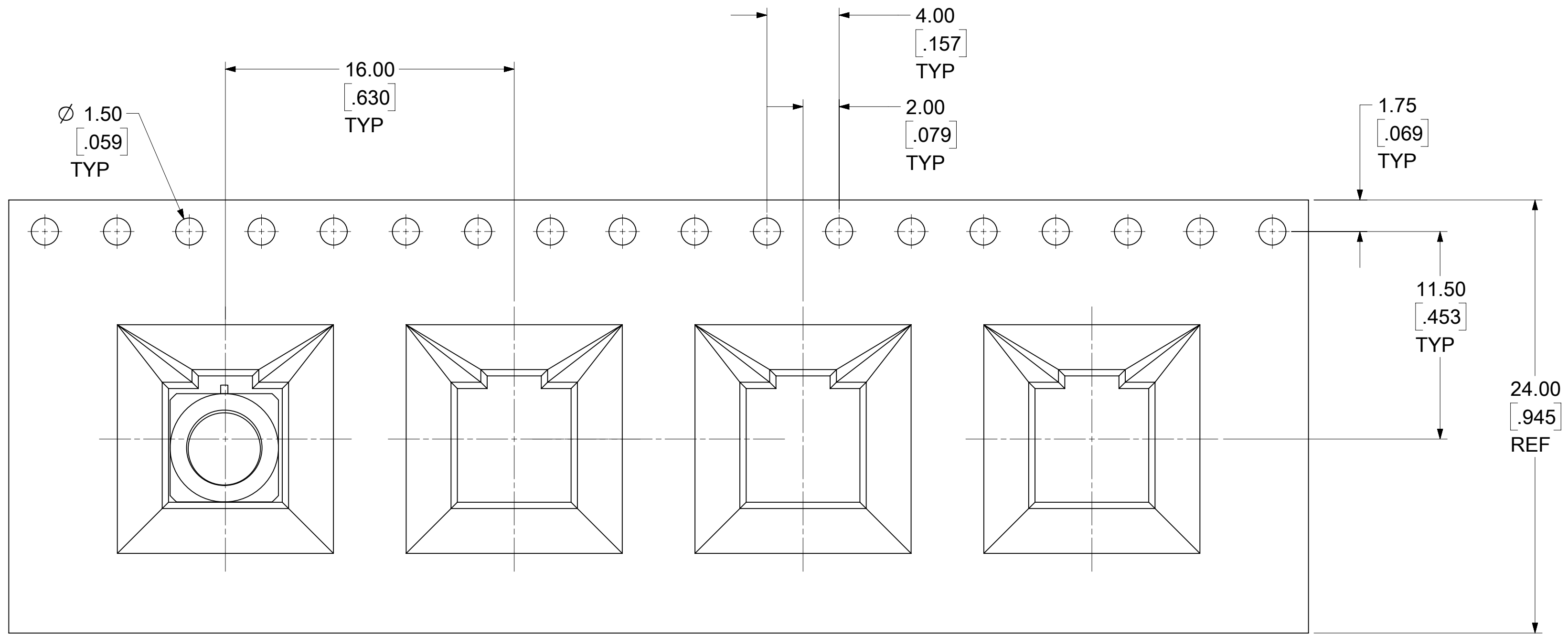
FUNCTIONAL SYMBOLS $F_A = 0$ $F_C = 0$ $F_P = 0$ #####	THIS DRAWING CONTAINS INFORMATION THAT IS PROPRIETARY TO MOLEX ELECTRONIC TECHNOLOGIES, LLC AND SHOULD NOT BE USED WITHOUT WRITTEN PERMISSION				CURRENT REV DESC: EWR # 15321-E ADDED -4215, -4216, -4217, -4218 PART NO								
	DIMENSION UNITS MM/IN		SCALE NTS		EC NO: 718007 DRWN: BSHAH 2020/01/02 CHK'D: YCHENG 2022/08/24 APPR: YCHENG 2022/08/24		SMP ADAPTER ASSEMBLY 50? EWR-11818, SMP-P/J/PCB						
	GENERAL TOLERANCES (UNLESS SPECIFIED)				INITIAL REVISION: DRWN: AZR 2004/03/24 APPR: JDW 2004/03/24				PRODUCT CUSTOMER DRAWING				
	4 PLACES ± ± 3 PLACES ± ± 0.01 2 PLACES ± 0.25 ± 1 PLACE ± ± 0 PLACES ± ± ANGULAR TOL ± 0.5 °		DRAFT WHERE APPLICABLE MUST REMAIN WITHIN DIMENSIONS		THIRD ANGLE PROJECTION 		DRAWING C-SIZE		SERIES 73415		DOCUMENT NUMBER SD-73415-421		DOC TYPE DOC PART REVISION PSD 001 B6



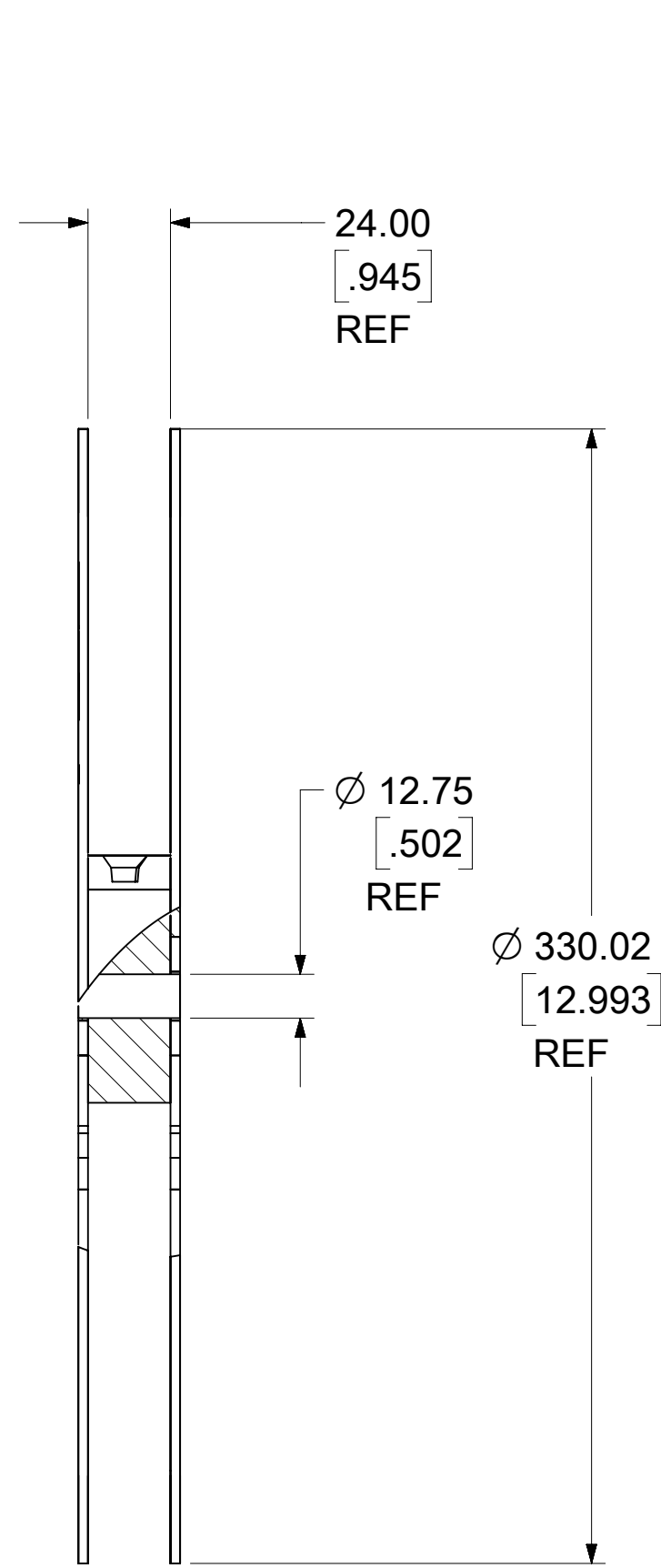
SEE SHEET 1 FOR PCB LAYOUT

FUNCTIONAL SYMBOLS $\nabla_A = 0$ $\nabla_C = 0$ $\nabla_P = 0$ #####	THIS DRAWING CONTAINS INFORMATION THAT IS PROPRIETARY TO MOLEX ELECTRONIC TECHNOLOGIES, LLC AND SHOULD NOT BE USED WITHOUT WRITTEN PERMISSION														
	DIMENSION UNITS		SCALE		CURRENT REV DESC:										
	MM/IN		NTS		EWR # 15321-E ADDED -4215, -4216, -4217, -4218 PART NO										
	GENERAL TOLERANCES (UNLESS SPECIFIED)										EC NO: 718007 DRWN: BSHAH 2020/01/02 CHK'D: YCHENG 2022/08/24 APPR: YCHENG 2022/08/24				
	4 PLACES		±	±	INITIAL REVISION: DRWN: AZR 2004/03/24 APPR: JDW 2004/03/24										
	3 PLACES		±	± 0.01							DOCUMENT NUMBER				DOC TYPE
	2 PLACES		± 0.25	±	SD-73415-421				PSD	001	B6				
	1 PLACE		±	±	MATERIAL NUMBER				CUSTOMER		SHEET NUMBER				
	0 PLACES		±	±	SEE TABLE						5 OF 7				
	ANGULAR TOL		± 0.5°		THIRD ANGLE PROJECTION		DRAWING	SERIES							
DRAFT WHERE APPLICABLE MUST REMAIN WITHIN DIMENSIONS										C-SIZE		73415			

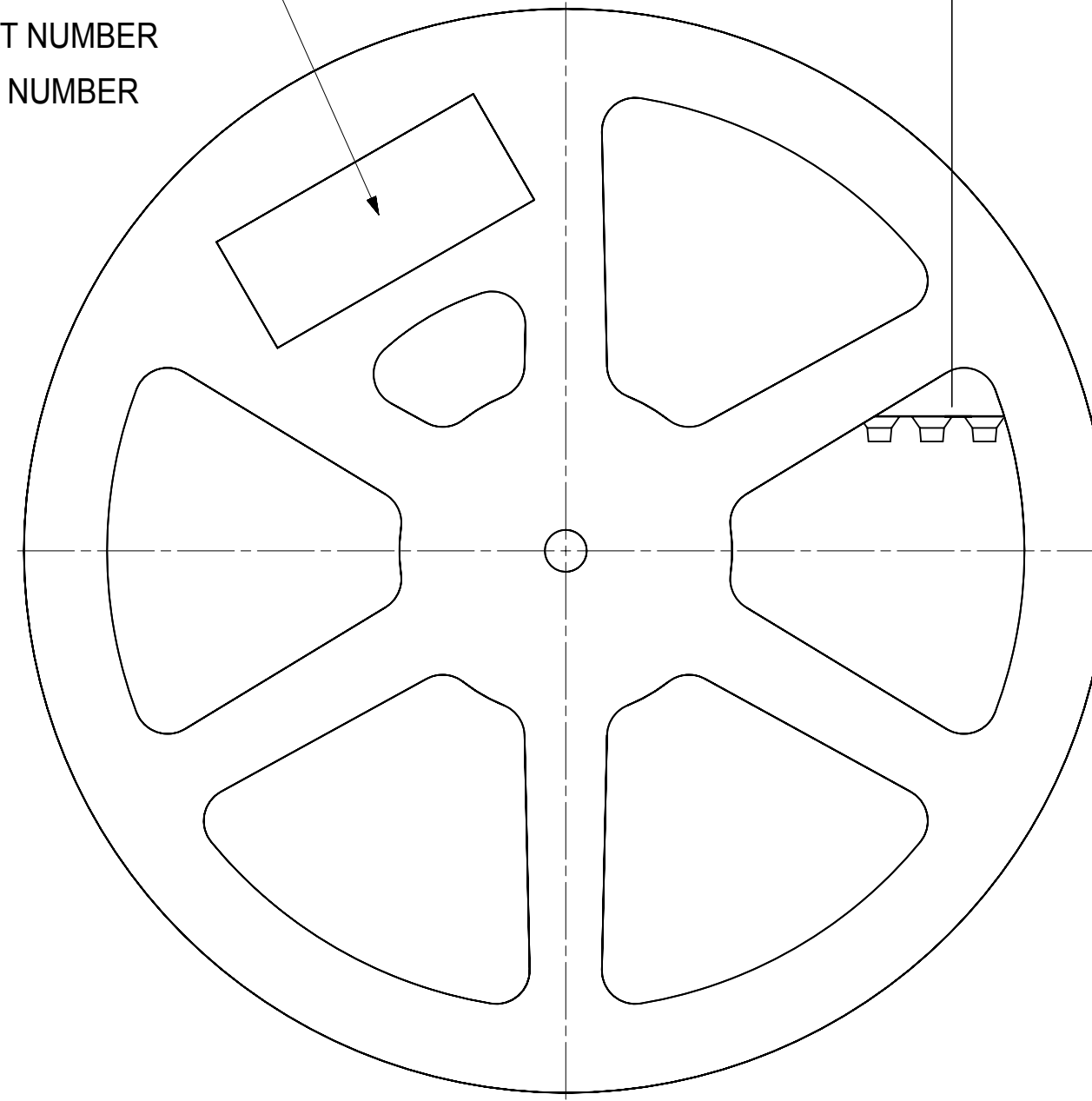
DOCUMENT STATUS	P1	RELEASE DATE	2022/08/24	02:18:05
-----------------	----	--------------	------------	----------



FUNCTIONAL SYMBOLS $\nabla_A = 0$ $\nabla_C = 0$ $\nabla_P = 0$ #####	THIS DRAWING CONTAINS INFORMATION THAT IS PROPRIETARY TO MOLEX ELECTRONIC TECHNOLOGIES, LLC AND SHOULD NOT BE USED WITHOUT WRITTEN PERMISSION				CURRENT REV DESC: EWR # 15321-E ADDED -4215 , -4216 , -4217 , -4218 PART NO												
	DIMENSION UNITS MM/IN		SCALE NTS		EC NO: 718007 DRWN: BSHAH 2020/01/02 CHK'D: YCHENG 2022/08/24 APPR: YCHENG 2022/08/24								SMP ADAPTER ASSEMBLY 50? EWR-11818, SMP-P/J/PCB				
	GENERAL TOLERANCES (UNLESS SPECIFIED)				INITIAL REVISION: DRWN: AZR 2004/03/24 APPR: JDW 2004/03/24				PRODUCT CUSTOMER DRAWING								
	4 PLACES ± ± 3 PLACES ± ± 0.01 2 PLACES ± 0.25 ± 1 PLACE ± ± 0 PLACES ± ± ANGULAR TOL ± 0.5 °		DRAFT WHERE APPLICABLE MUST REMAIN WITHIN DIMENSIONS		THIRD ANGLE PROJECTION 		DRAWING C-SIZE		SERIES 73415		DOCUMENT NUMBER SD-73415-421		DOC TYPE PSD		DOC PART 001		REVISION B6
MATERIAL NUMBER SEE TABLE		CUSTOMER		SHEET NUMBER 6 OF 7													



LABEL:
-ORDER NUMBER
-QUANTITY
-PART NUMBER
-LOT NUMBER



25 EMPTY UNITS
MINIMUM

ORDER QUANTITY
PACKED WITH 500
COMPONENTS

25 EMPTY UNITS
MINIMUM

5.84
[.230]
MIN

HANDLING DIRECTION →

FOR 73415-4214 ONLY

FUNCTIONAL SYMBOLS FA = 0 FC = 0 FP = 0 #####	THIS DRAWING CONTAINS INFORMATION THAT IS PROPRIETARY TO MOLEX ELECTRONIC TECHNOLOGIES, LLC AND SHOULD NOT BE USED WITHOUT WRITTEN PERMISSION												
	DIMENSION UNITS		SCALE		CURRENT REV DESC:								
	MM/IN		NTS		EWR # 15321-E ADDED -4215 , -4216 , -4217 , -4218 PART NO								
	GENERAL TOLERANCES (UNLESS SPECIFIED)										SMP ADAPTER ASSEMBLY 50? EWR-11818, SMP-P/J/PCB		
	4 PLACES		±	±	EC NO: 718007								
	3 PLACES		±	± 0.01	DRWN: BSHAH 2020/01/02								
	2 PLACES		± 0.25	±	CHK'D: YCHENG 2022/08/24								
	1 PLACE		±	±	APPR: YCHENG 2022/08/24								
	0 PLACES		±	±	INITIAL REVISION:								
	ANGULAR TOL		± 0.5 °		DRWN: AZR 2004/03/24								
DRAFT WHERE APPLICABLE MUST REMAIN WITHIN DIMENSIONS		THIRD ANGLE PROJECTION		DRAWING		SERIES		MATERIAL NUMBER		CUSTOMER		SHEET NUMBER	
				C-SIZE		73415		SEE TABLE				7 OF 7	

DOCUMENT NUMBER: SD-73415-421
DOC TYPE: PSD
DOC PART: 001
REVISION: B6