

Unlatching Tool

Application Tooling Specification Sheet

Order No. 63824-5810

FEATURES

- This tool is designed to easily locate and unlatch the 505071 plug terminal, so the 505072 PCB Receptacles can be removed.
- Tool guiding features helps to keep the terminals aligned during unlatching, to reduce damage to the connection, and circuit board.
- Adjustable duel unlatching features allow for two connector plugs to be unlocked at the same time.
- Tool adjusts to fit terminals 4.5-11.0mm mounting centerline.

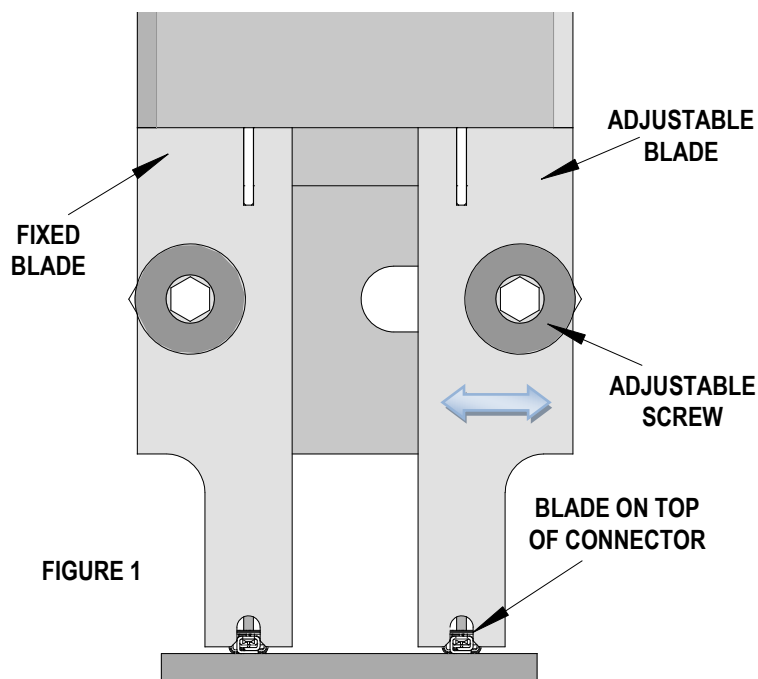
SCOPE

Products: TermiMate™ One-Circuit Board-to-Board Terminal-Style Connectors.

Connector Plug Series No.	Connector Plug Order No.	PCB Receptacle Series No.	PCB Receptacle Order No
505071	505071-0100 505071-0101 505071-1100	505072	505072-0100 505072-0101 505072-1100

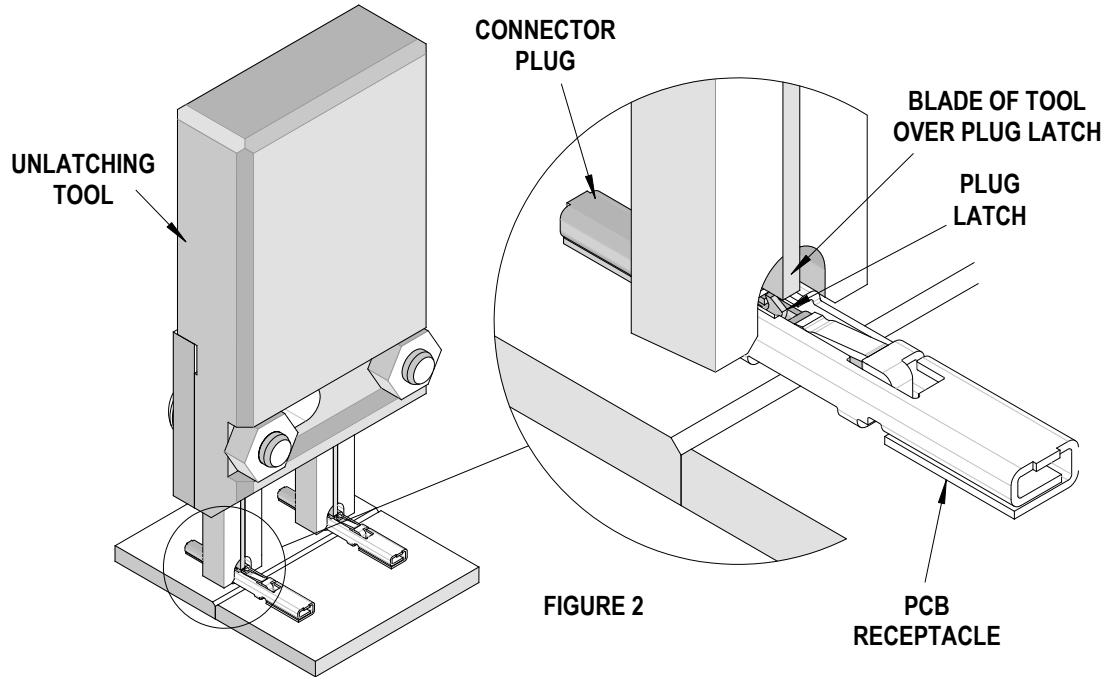
TOOL SETUP

1. Loosen the adjustable blade screw.
2. Slide the adjustable blade to the same center as the terminal.
3. Set the unlatching tool on top of the terminals to make sure alignment is correct.
4. Tighten the screw. Tool is ready for operate. See Figure 1.

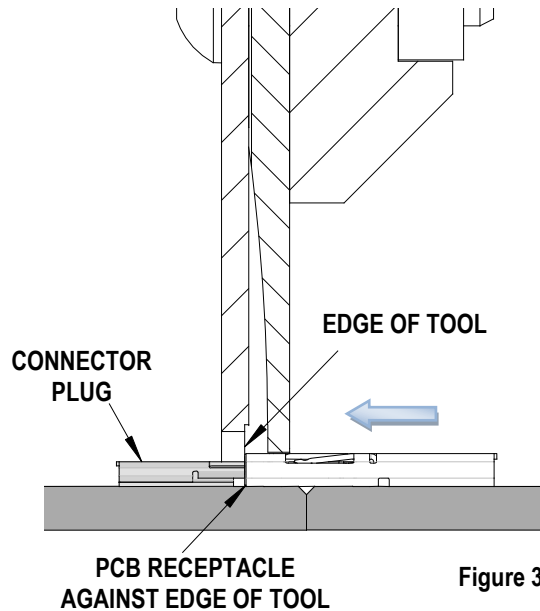


OPERATION

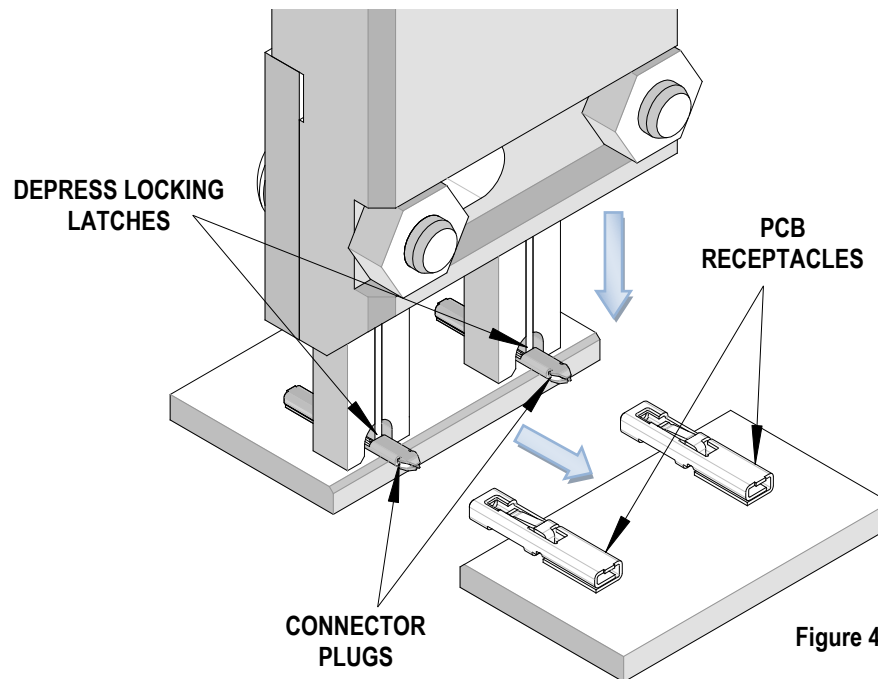
1. Position the unlatching tool above the PCB receptacles and the connector plug. The engraved side of the tool should be facing the 505071 plug terminal direction. See Figure 2.
2. Do not push the tool down at this time.



3. Position the tool so that the locating wall (on the inside of the tool), is against the front of the PCB receptacles. See Figure 3.



4. Push down and depress the connector plug locking latches.
5. Gently pull the PCB receptacles back through the plug slots in the arrow direction as shown in Figure 4.



CAUTION: This extractor tool should be used to extract the terminal only. Using it for unintended purposes may cause injury or damage to parts. Be careful not to deform the end of the terminal.

CAUTION: Molex specifications are valid only when used with Molex terminals, applicators and tooling.

Contact Information

For more information on Molex application tooling please contact Molex at 1-800-786-6539.

Visit our Web site at <http://www.molex.com>