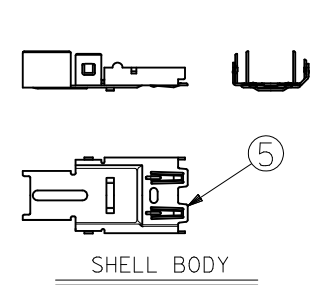
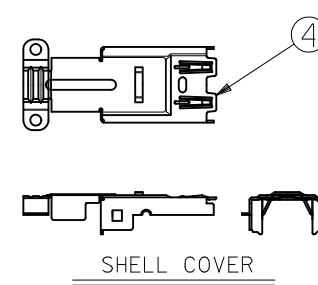
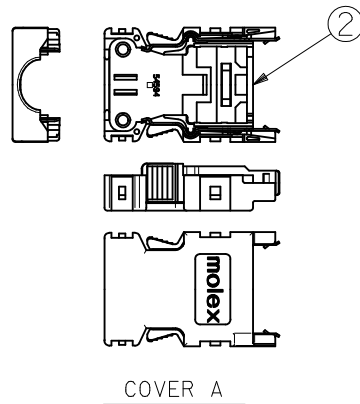
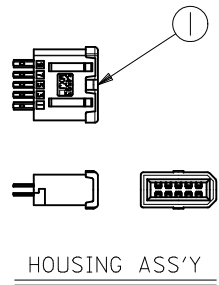
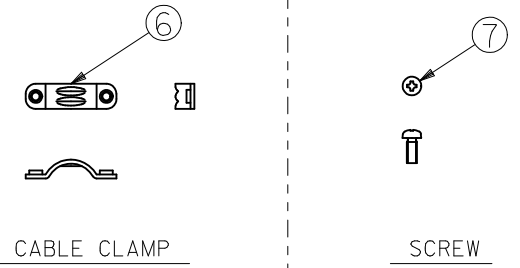


部品構成
PARTS CONSTRUCTION

部番 NO.	部品名 PART NAME	製品番号 ENG. NO.	個数 QVAN.	材質 MATERIAL
①	ハウジングアッセンブリ HOUSING ASS'Y	54593-1016	1	ハウジング: ポリアミド, UL94V-0 色:黒 HOUSING: POLYAMIDE, UL94V-0 COLOR:BLACK ターミナル:りん青銅 t0.3 TERMINAL:PHOSPHOR BRONZE t0.3 メッキ仕様 接点部:ニッケル下地金メッキ PLATING CONTACT AREA:GOLD OVER NICKEL 結線部:ニッケル下地錫メッキ WIRE TERMINATION AREA:TIN OVER NICKEL
②	カバーA COVER A	54594-1015	1	カバーA: ガラス入りポリカーボネイト樹脂 COVER A: POLYCARBONATE G.F. UL94V-0 色:グレー UL94V-0 COLOR:GRAY スプリングラッチ:ステンレス鋼 t0.4 SPRING LATCH:STAINLESS STEEL t0.4
③	カバーB COVER B	54595-1005	1	ガラス入りポリカーボネイト樹脂 UL94V-0 色:グレー POLYCARBONATE G.F. UL94V-0 COLOR:GRAY
④	シエル カバー SHELL COVER	58935-1028	1	りん青銅 t0.4 PHOSPHOR BRONZE t0.4
⑤	シエル ボディ SHELL BODY	58934-1028	1	メッキ仕様:ニッケル下地、錫メッキ PLATING:NICKEL BASE,TIN PLATING
⑥	ケーブルクランプ CABLE CLAMP	58937-0000	1	ステンレス鋼 STAINLESS STEEL
⑦	十字穴付きなべ小ネジ CROSS RECESSED PAN HEAD MACHINE SCREW	58203-0010	2	鋼(ネジサイズ:M2X5) STEEL (SCREW SIZE:M2X5)

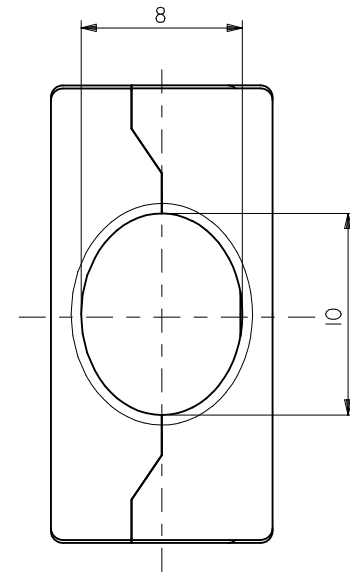
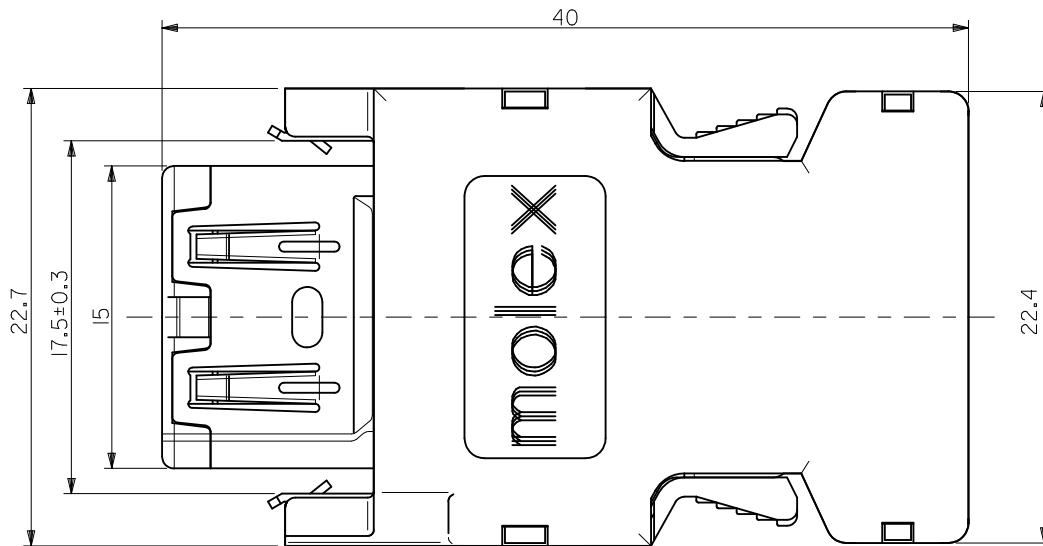
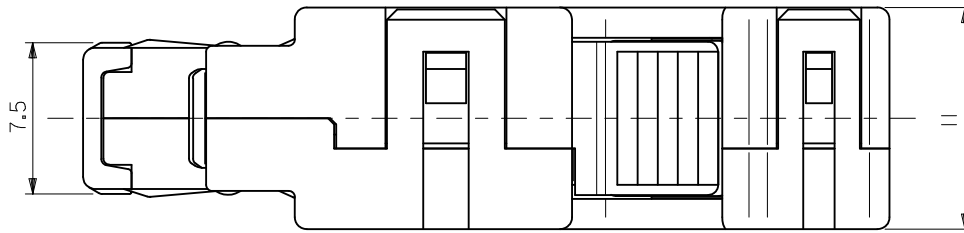
注記: 1. 本製品は 54599-1015 の鉛フリー品である。
NOTES: THIS PRODUCT IS LEAD FREE OF 54599-1015.



54599-1019	54599-101*
MATERIAL NO.	MODEL NO.

REVISED EC NO: J2010-0635 DRW: NESATO 2010/02/25 CHKD: MATSUMOTO 2010/02/25 APPR: HIRATA 2010/02/25 REV: A	GENERAL TOLERANCES (UNLESS SPECIFIED)		DIMENSION STYLE MM ONLY	SCALE ---	DESIGN UNITS METRIC	THIRD ANGLE PROJECTION
	10 UNDER	± ---	DRAWN BY M. NABE I	DATE 2004/04/14	TITLE 2.0 I/O CONN. HAND/S TYPE PLUG SET -LEAD FREE-	
	10 OVER 30 UNDER	± ---	CHECKED BY K. TOJO	DATE 2004/04/14	MOLEX INCORPORATED	
	30 OVER	± ---	APPROVED BY HIRATA	DATE 2010/02/25	MATERIAL NO. SEE TABLE	DOCUMENT NO. SD-54599-006
ANGULAR ± --- ° DRAFT WHERE APPLICABLE MUST REMAIN WITHIN DIMENSIONS			SIZE A3	THIS DRAWING CONTAINS INFORMATION THAT IS PROPRIETARY TO MOLEX INCORPORATED AND SHOULD NOT BE USED WITHOUT WRITTEN PERMISSION		

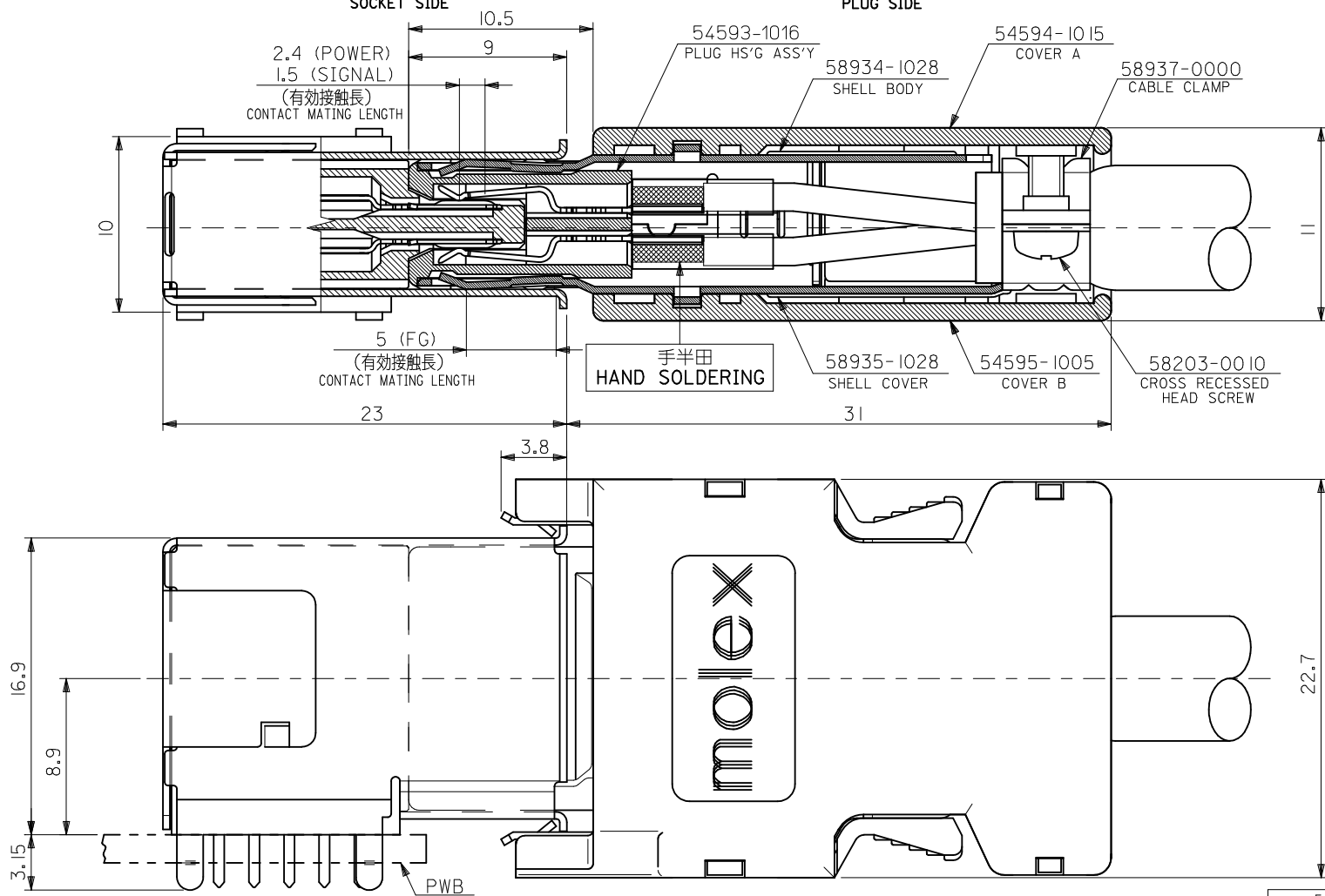
10 9 8 7 6 5 4 3 2 1



REVISED EC NO: J2010-0635 DRW: NESATO 2010/02/25 CHKD: MATSUMOTO 2010/02/25 APPR: HIRATA 2010/02/25	GENERAL TOLERANCES (UNLESS SPECIFIED)		DIMENSION STYLE MM ONLY		SCALE ---	DESIGN UNITS METRIC	MODEL NO. 54599-101*	
	10 UNDER ± ---	10 OVER 30 UNDER ± ---	30 OVER ± ---	DRAWN BY M. NABEI	DATE 2004/04/14	TITLE 2.0 I/O CONN. HAND/S TYPE PLUG SET -LEAD FREE-		
	ANGULAR ± --- °			CHECKED BY K. TOJO	DATE 2004/04/14	MOLEX INCORPORATED		
	DRAFT WHERE APPLICABLE MUST REMAIN WITHIN DIMENSIONS			APPROVED BY HIRATA	DATE 2010/02/25	MATERIAL NO. SEE TABLE	DOCUMENT NO. SD-54599-006	SHEET NO. 2 OF 2

ソケット側 (55445-1019)
SOCKET SIDE

プラグ側 (54599-1019)
PLUG SIDE



REVISED EC NO: J2010-0635 DRW: NESATO 2010/02/25 CHKD: MATSUMOTO 2010/02/25 APPR: HIRATA 2010/02/25	GENERAL TOLERANCES (UNLESS SPECIFIED)		DIMENSION STYLE MM ONLY		SCALE ---	54599-101* DESIGN UNITS METRIC	MODEL NO.
	10 UNDER	± ---	DRAWN BY M. NABEI	DATE 2004/04/14	TITLE 2.0 I/O CONN. HAND/S TYPE PLUG SET -LEAD FREE-		
	10 OVER 30 UNDER	± ---	CHECKED BY K. TOJO	DATE 2004/04/14	MOLEX INCORPORATED		
	30 OVER	± ---	APPROVED BY HIRATA	DATE 2010/02/25	MATERIAL NO. SEE TABLE	DOCUMENT NO. SD-54599-006	SHEET NO. 3 OF 3
A	ANGULAR ± --- °	THIS DRAWING CONTAINS INFORMATION THAT IS PROPRIETARY TO MOLEX INCORPORATED AND SHOULD NOT BE USED WITHOUT WRITTEN PERMISSION					
	DRAFT WHERE APPLICABLE MUST REMAIN WITHIN DIMENSIONS						