

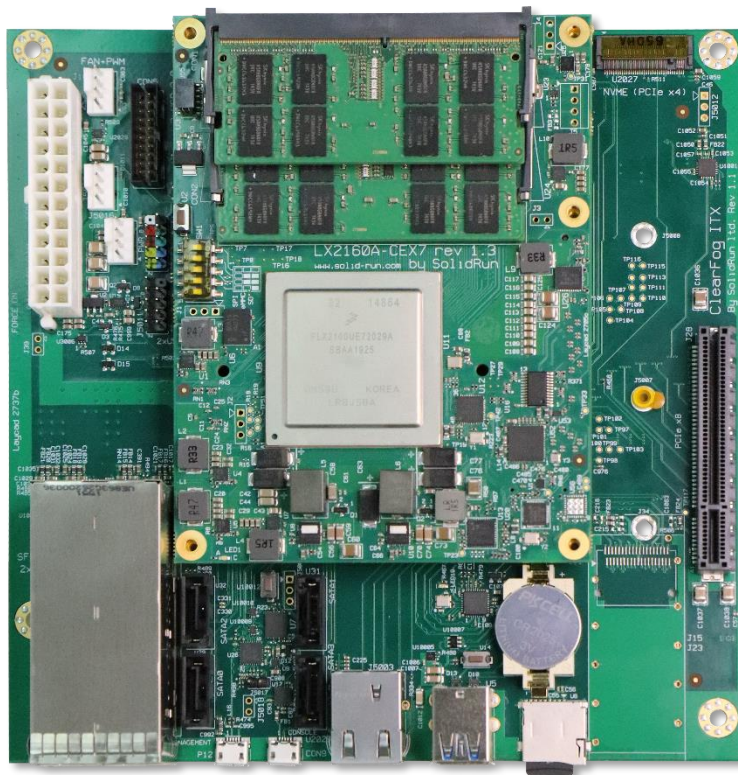


# HoneyComb

Powered by SolidRun

## HoneyComb LX2K Datasheet

NXP Layerscape LX2160A based Arm Workstation



Embedded Edge Computing

SolidRun Ltd.

7 Hamada st.,  
Yokne'am Illit, 2069201, Israel

## Overview

Introducing [HoneyComb LX2K](#) cutting-edge Arm workstation – designed for native Arm development and demanding computing and networking needs.

HoneyComb is based on NXP's Layscape 16 core LX2160A Arm Cortex A72 processor, and features 2 x SFP+ (10GbE each), dual channel DDR4 SO-DIMM RAM (up to 64GB), 3 x USB 3.0 and 3 x USB 2.0, 4 x SATA, 64GB on-board eMMC, M.2, PCIe x8 open slot (can support x16), and much more.

## HoneyComb Highlighted Features

- ✿ NXP's Layerscape LX2160A 16-core Cortex Arm A72 (2GHz) processor
- ✿ Dual-channel DDR4 SO-DIMM (up to 64GB)
- ✿ 4 x SFP+ (10GbE each)
- ✿ Mini ITX form factor supporting easy mounting in a wide range of cases, enclosures and tower configurations

## System Specifications

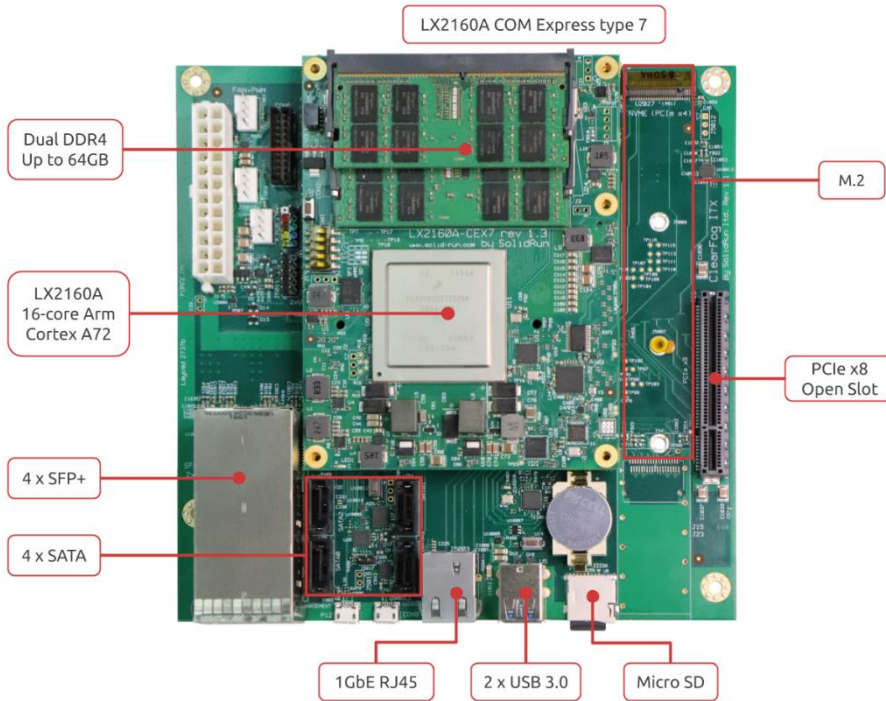
<b>HoneyComb LX2K</b>	
<b>Processor</b>	NXP LX2160A 16-core Cortex Arm A72 (up to 2Ghz)
<b>Memory &amp; Storage</b>	Up to 64GB DDR4 SO-DIMM (dual channel) M.2 2240/2280 MicroSD 4 x SATA 3.0 eMMC
<b>Connectivity &amp; Interfaces</b>	4 x SFP+ ports (2x2) 1 x 1GbE (RJ45) 3 x USB 2.0 3 x USB 3.0 1 x PCIe x8 (open slot)
<b>I/O</b>	MicroUSB for debug (UART over USB) USB to STM32 for remote management
<b>OS</b>	Linux kernel 4.14x Mainline Linux
<b>Cooling</b>	CPU air-cooled with heatsink + fan configuration
<b>Power</b>	ATX Standard
<b>Environment</b>	Ambient temp. (commercial): 0°C to 70°C
	CPU die temp. (commercial): 0°C to 105°C
	Ambient temp. (industrial): -40°C to 85°C
	CPU die temp. (industrial): -40°C to 105°C
	Humidity (non-condensing): 10% - 90%
<b>Dimensions (WxL)</b>	170mm X 170mm
<b>Enclosure</b>	Not included Supports mini ITX form factor enclosures

## Available SKUs for HoneyComb LX2K

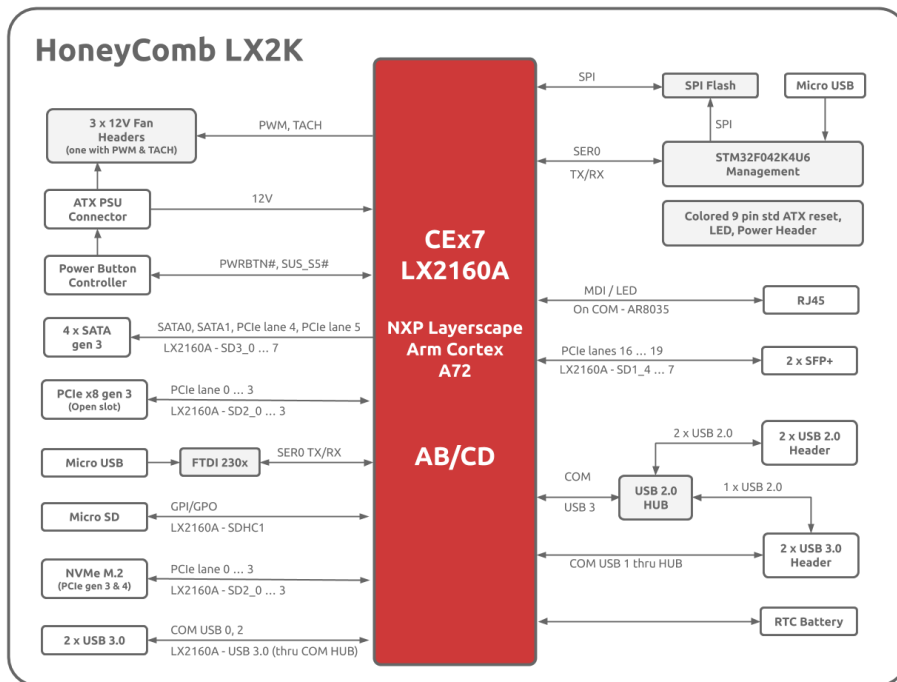
<b>SKU</b>	<b>Description</b>
SRLX216S00D00GE064H04CH	HoneyComb LX2K 64GB eMMC Com. Temp R04 Inc. Heatsink & Fan

(\*) Different configurations available for MOQ

# HoneyComb LX2K Layout



# HoneyComb LX2K Block Diagram



## Safety Notice

- a. This device is to be used with Certified Power adaptor with output rated 12VDC, 1.5A. Power adapter must meet Limited power source (LPS) requirements.
- b. Power adapter must meet local safety standards and requirements based on product intended use.
- c. Power adapter must meet Operating environment conditions as specified above.

## Disposal

Follow local regulations regarding disposal of the product. Dispose of your product in accordance with local regulations. In some areas, the disposal of these items in household or business trash may be prohibited.

Help us protect the environment- recycle!

## IMPORTANT NOTICE – Please Read Carefully

No warranty of accuracy is given concerning the contents of the information contained in this document. To the extent permitted by law no liability (including liability to any person by reason of negligence) will be accepted by SolidRun Ltd. or its employees for any direct or indirect loss or damage caused by omissions from or inaccuracies in this document.

SolidRun Ltd. reserves the right to change details in this publication without notice Product and company names herein may be the trademarks of their respective owners.

Information in this document supersedes and replaces information previously supplied in any prior versions of this document.

## Support

For technical support please visit:

Our developer resources – <https://developer.solid-run.com/>

For direct support please contact us at: [support@solid-run.com](mailto:support@solid-run.com)

## Documentation

Additional documentation available at:

<https://developer.solid-run.com/products/honeycomb-lx2k/>