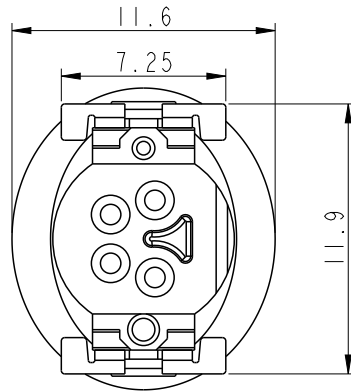
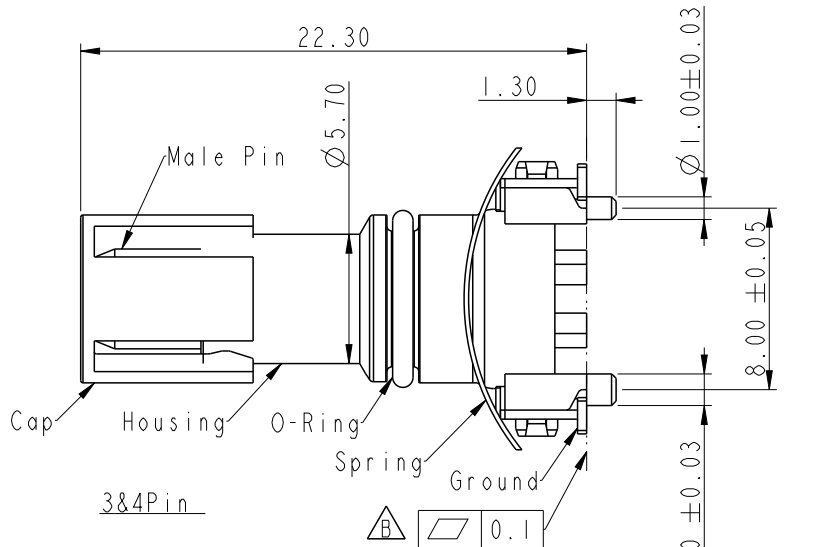
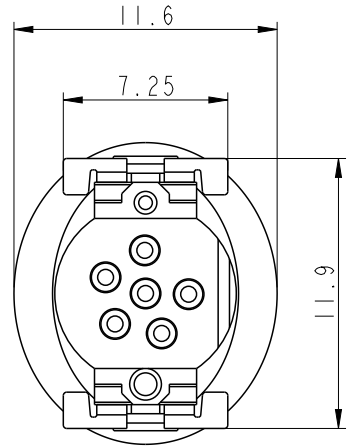
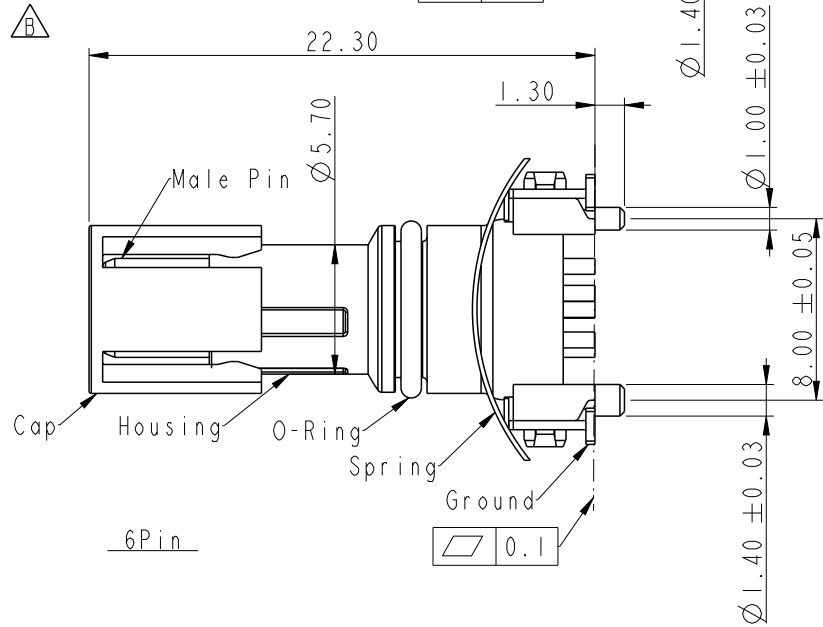


REV.	ECN NO.	DATE	SIGN	DESCRIPTION
A		2020-07-16	Allen Pan	Rev.01 To Rev.A
B	C201911	2021-01-04	Roy Lin	$\triangle B$ x9



$\triangle B$ M8S - XX P M M T - E E 0 001

03:3Pin
04:4Pin
06:6Pin



Note:

* \odot Important Dimension to Check
Material Specification:

- * Housing: Thermoplastic, Black
- * Male Pin: Copper Alloy, Gold Plated
- * Ground: Metal
- * Spring: Metal
- * O-Ring: Rubber; Gray

Electrical Specification:

- * Contact Resistance: 10m Ω (Max.)
- * Insulation Resistance: 100M Ω (Min.)
- * Dielectric Withstanding Voltage: 3Pin/4Pin 1KV
6Pin 0.65KV
- * Rated Voltage: 3Pin/4Pin 60V d.c. or a.c.
6Pin 30V d.c. or a.c.
- * Rated Current: 3Pin/4Pin 3A
6Pin 1.5A

Mechanical Specification:

- * Durability: 1000 Cycles(IEC:100 Cycles)

Environmental Specification:

- * Temperature Range: -55~+125°C
- * Salt Spray: 48 Hrs
- * SMT Temperature & Time: 260°C / 5 sec
- * SMT Paste : 0.12mm

UNIT:mm		
TOLERANCE	.X ± 0.25	
	.XX ± 0.1	
	.XXX ± 0.05	
ANGLES	$\pm 1^\circ$	

TITLE M8 M CONN M PIN SMT TYPE			
SCALE 3:1	SIZE A4	SHEET 1 OF 4	
REV. B	WC-REV. ***	\odot : Inspection item	

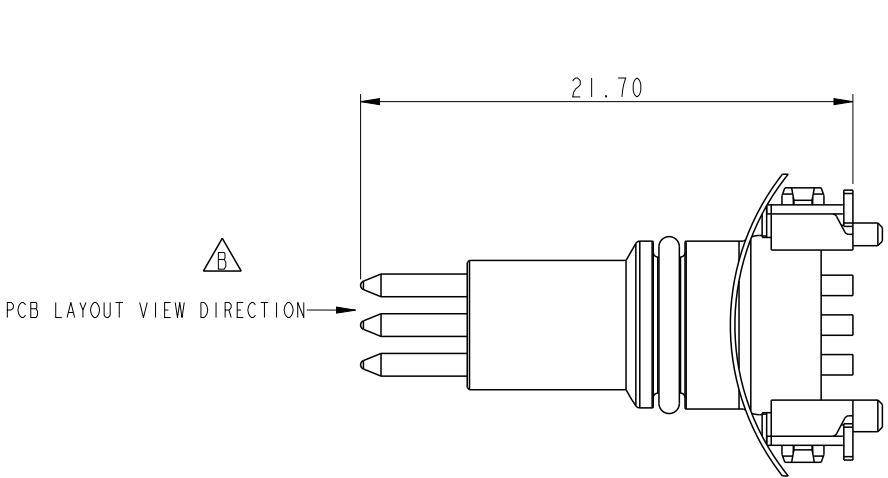
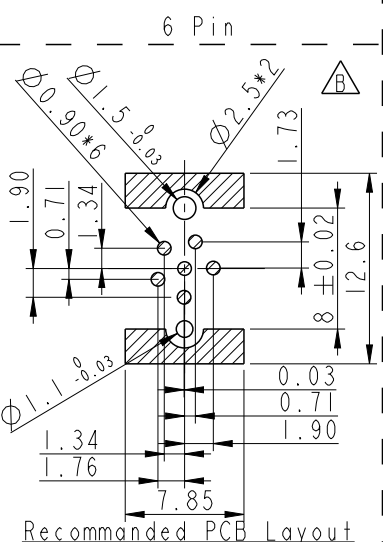
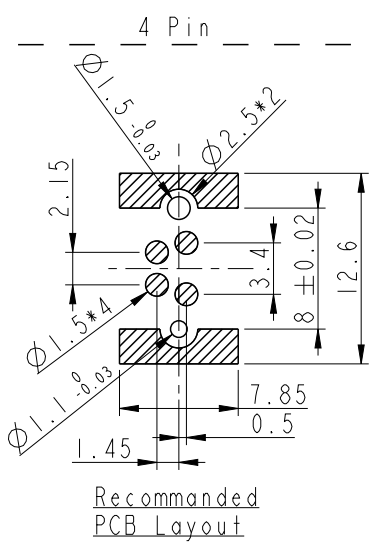
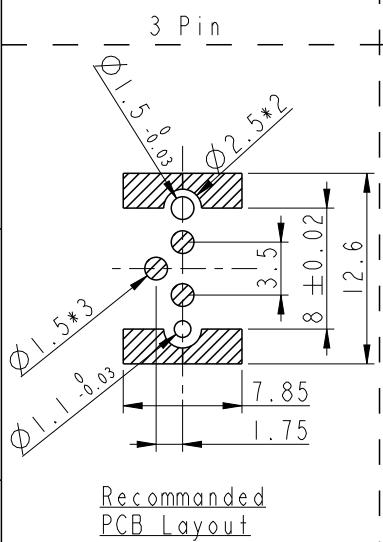
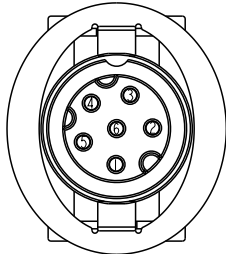
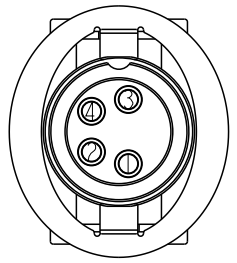
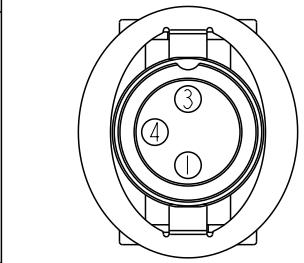
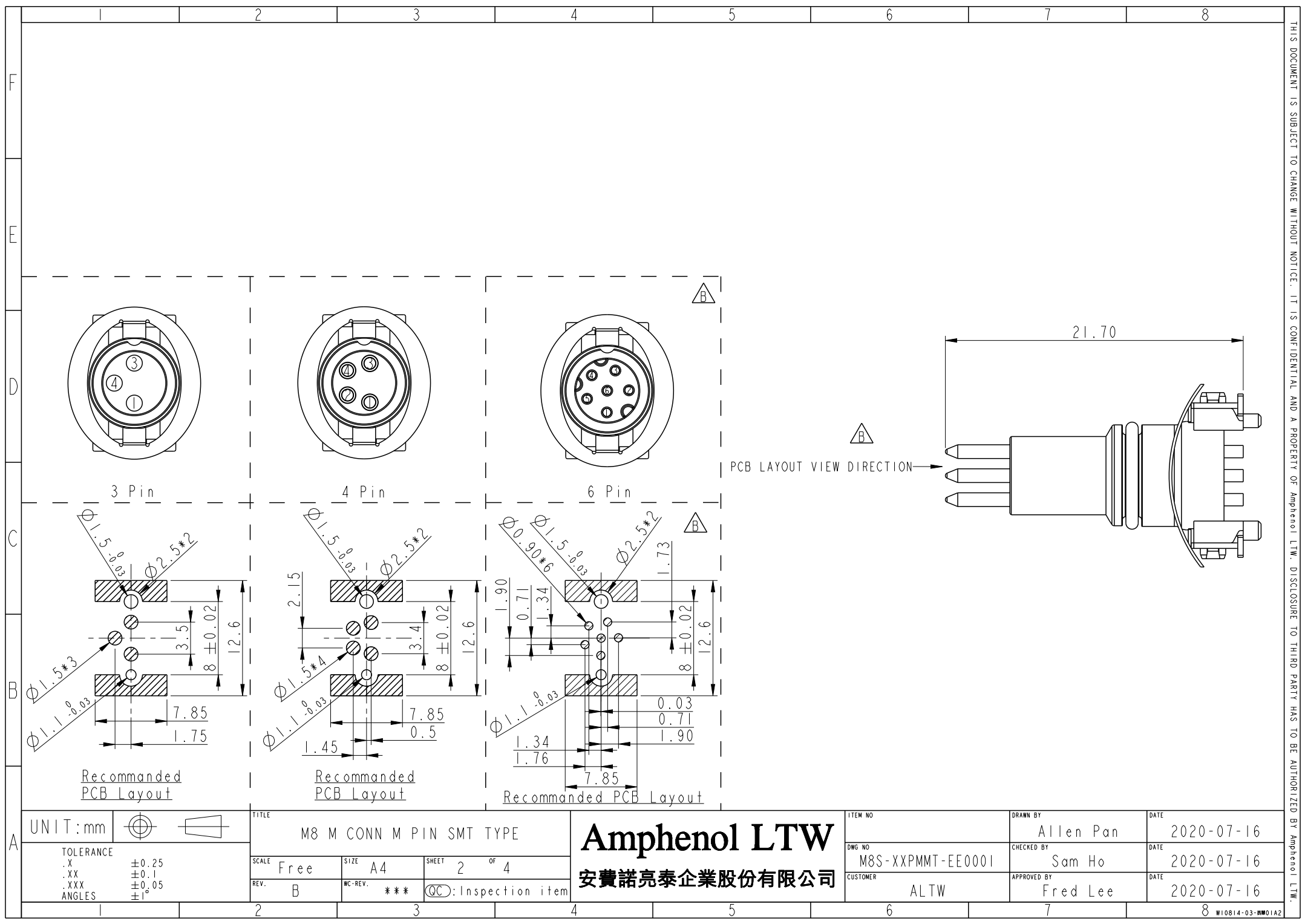
Amphenol LTW
安費諾亮泰企業股份有限公司

ITEM NO.	DRAWN BY Allen Pan	DATE 2020-07-16
DWG NO. M8S-XXPMMT-EE001	CHECKED BY Sam Ho	DATE 2020-07-16
CUSTOMER ALTW	APPROVED BY Fred Lee	DATE 2020-07-16

THIS DOCUMENT IS SUBJECT TO CHANGE WITHOUT NOTICE. IT IS CONFIDENTIAL AND A PROPERTY OF AMPHENOL LTW. DISCLOSURE TO THIRD PARTY HAS TO BE AUTHORIZED BY AMPHENOL LTW.

F
E
D
C
B
A

THIS DOCUMENT IS SUBJECT TO CHANGE WITHOUT NOTICE. IT IS CONFIDENTIAL AND A PROPERTY OF Amphenol LTW. DISCLOSURE TO THIRD PARTY HAS TO BE AUTHORIZED BY Amphenol LTW.



UNIT: mm		
TOLERANCE	.X	± 0.25
	.XX	± 0.1
	.XXX	± 0.05
ANGLES		$\pm 1^\circ$

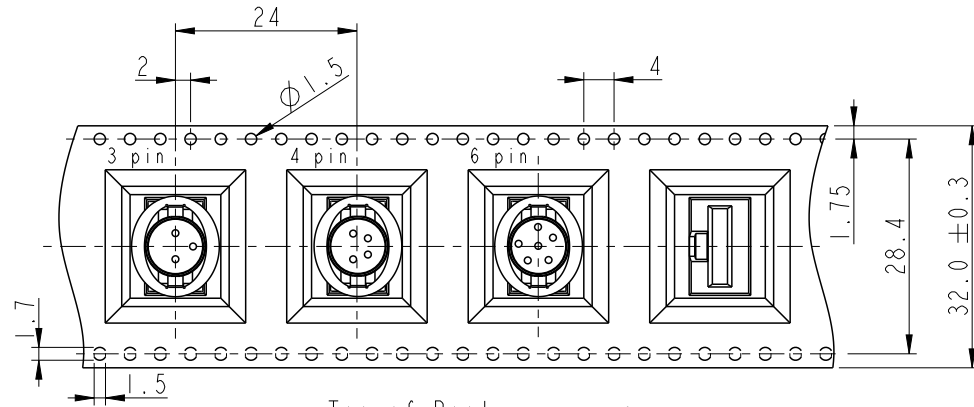
TITLE M8 M CONN M PIN SMT TYPE			
SCALE Free	SIZE A4	SHEET 2 OF 4	
REV. B	WC-REV. ***	QC: Inspection item	

Amphenol LTW
安費諾亮泰企業股份有限公司

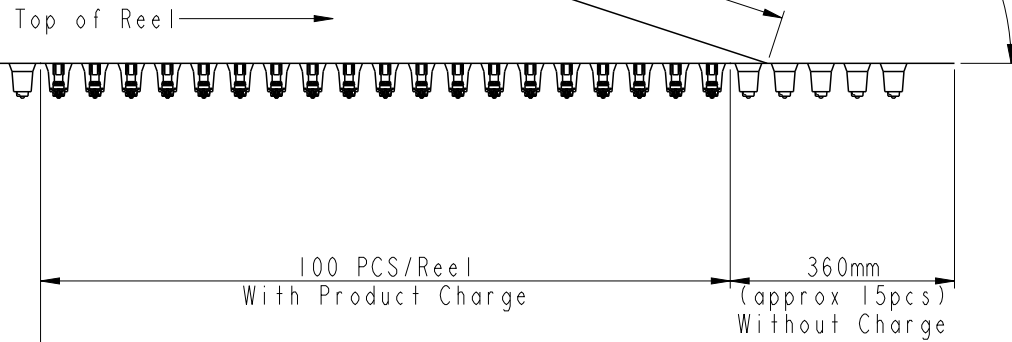
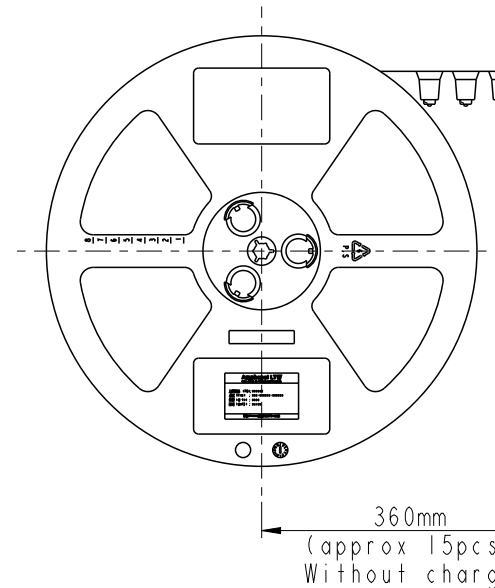
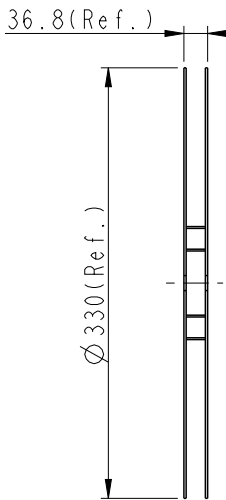
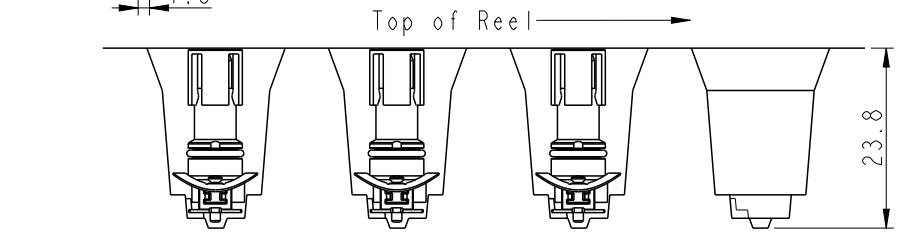
ITEM NO	DRAWN BY Allen Pan	DATE 2020-07-16
DWG NO M8S-XXPMMT-EE0001	CHECKED BY Sam Ho	DATE 2020-07-16
CUSTOMER ALTW	APPROVED BY Fred Lee	DATE 2020-07-16

W10814-03-001A2

Tape & Reel Information:



Note:
 * Connector Orientation Follow Drawing



UNIT: mm		
TOLERANCE		
.X	±0.25	
.XX	±0.1	
.XXX	±0.05	
ANGLES	±1°	

TITLE M8 M CONN M PIN SMT TYPE			
SCALE Free	SIZE A4	SHEET 3 OF 4	
REV. B	WC-REV. ***	Inspection item	

Amphenol LTW
 安費諾亮泰企業股份有限公司

ITEM NO	DWG NO
	M8S-XXPMMT-EE0001
CUSTOMER	ALTW

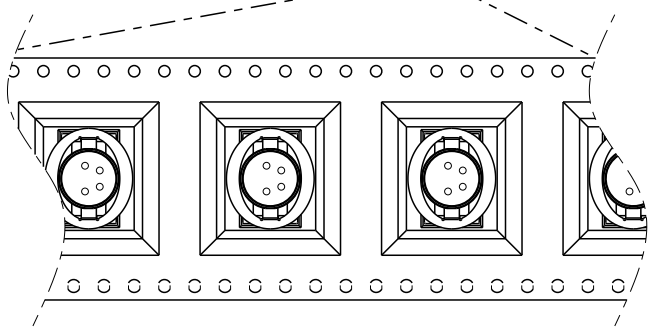
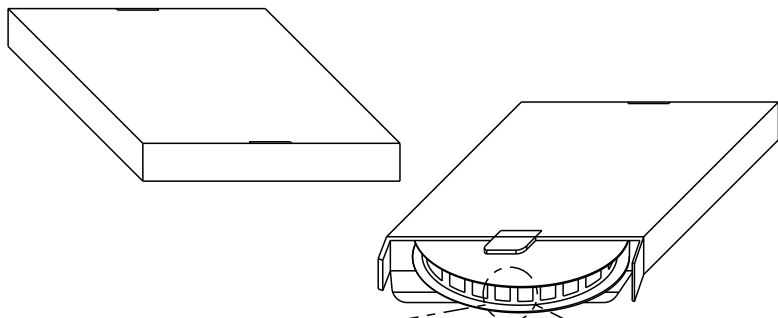
DRAWN BY Allen Pan	CHECKED BY Sam Ho
APPROVED BY Fred Lee	

DATE 2020-07-16	DATE 2020-07-16
DATE 2020-07-16	

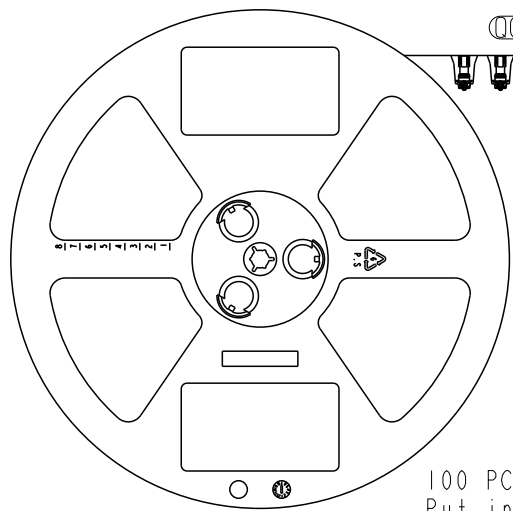
THIS DOCUMENT IS SUBJECT TO CHANGE WITHOUT NOTICE. IT IS CONFIDENTIAL AND A PROPERTY OF Amphenol LTW. DISCLOSURE TO THIRD PARTY HAS TO BE AUTHORIZED BY Amphenol LTW.

THIS DOCUMENT IS SUBJECT TO CHANGE WITHOUT NOTICE. IT IS CONFIDENTIAL AND A PROPERTY OF Amphenol LTW. DISCLOSURE TO THIRD PARTY HAS TO BE AUTHORIZED BY Amphenol LTW.

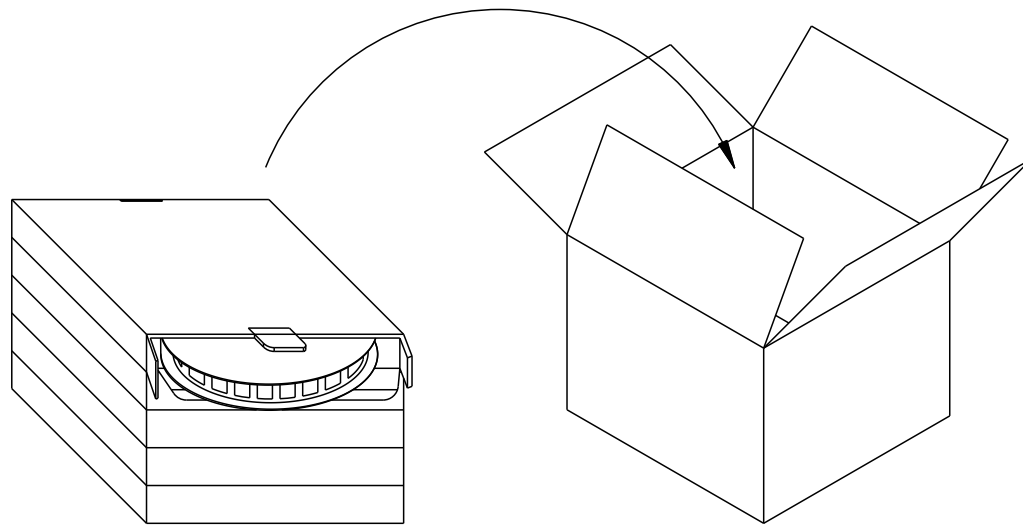
Package:



出料方向 →



100 PCS(Connector)/Tape&Reel,
Put in a Box



One Carton can put in the 5PCS(Max.) Box
(500 PCS/Carton)

UNIT: mm		
TOLERANCE	.X ±0.25	
.XX ±0.1		
.XXX ±0.05		
ANGLES	±1°	

TITLE M8 M CONN M PIN SMT TYPE		
SCALE Free	SIZE A4	SHEET 4 OF 4
REV. B	WC-REV. ***	: Inspection item

Amphenol LTW
安費諾亮泰企業股份有限公司

ITEM NO	DRAWN BY Allen Pan	DATE 2020-07-16
DWG NO M8S-XXPMMT-EE0001	CHECKED BY Sam Ho	DATE 2020-07-16
CUSTOMER ALTW	APPROVED BY Fred Lee	DATE 2020-07-16

DATE 2020-07-16
DATE 2020-07-16
DATE 2020-07-16