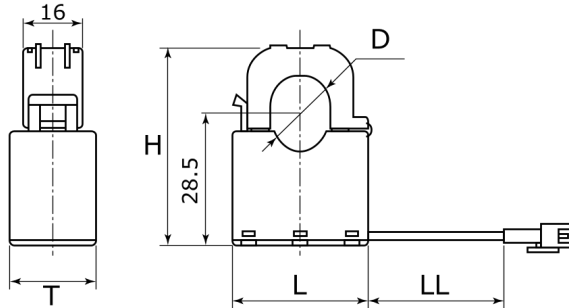


## C/CT-1216

Aliases (USEX1216000000)

KEMET, C/CT-1216, Current, Round - Snap-on, AC, High Performance, Compact, Slim, Flame Retardant



Click [here](#) for the 3D model.

### Dimensions

D	16mm
L	36.7mm
H	43mm
T	23mm
LL	140mm

### Packaging Specifications

Packaging	Tray
Packaging Quantity	108
Component Weight	63.3 g

### General Information

Series	C/CT-1216
Type	Current
Style	Round - Snap-on
Description	High Alternating Current Sensor
Features	High Performance, Compact, Slim, Flame Retardant
Lead	Cable Connector
RoHS	Yes
REACH	Yes

### Specifications

Temperature Range	-10/+60°C
Voltage DC	400 mV (Output, +/- 20 mV), 7.5 V (Output Protection)
Insulation Resistance	100 MOhms (At 500 VDC, between core and terminal)
Current	120 Amps (50Hz/60Hz)
Miscellaneous	Current Transformation Ratio = 3,000. Insulation Resistance = 500 VDC To 100 MOhms. Storage Temperature = -20/+75C.