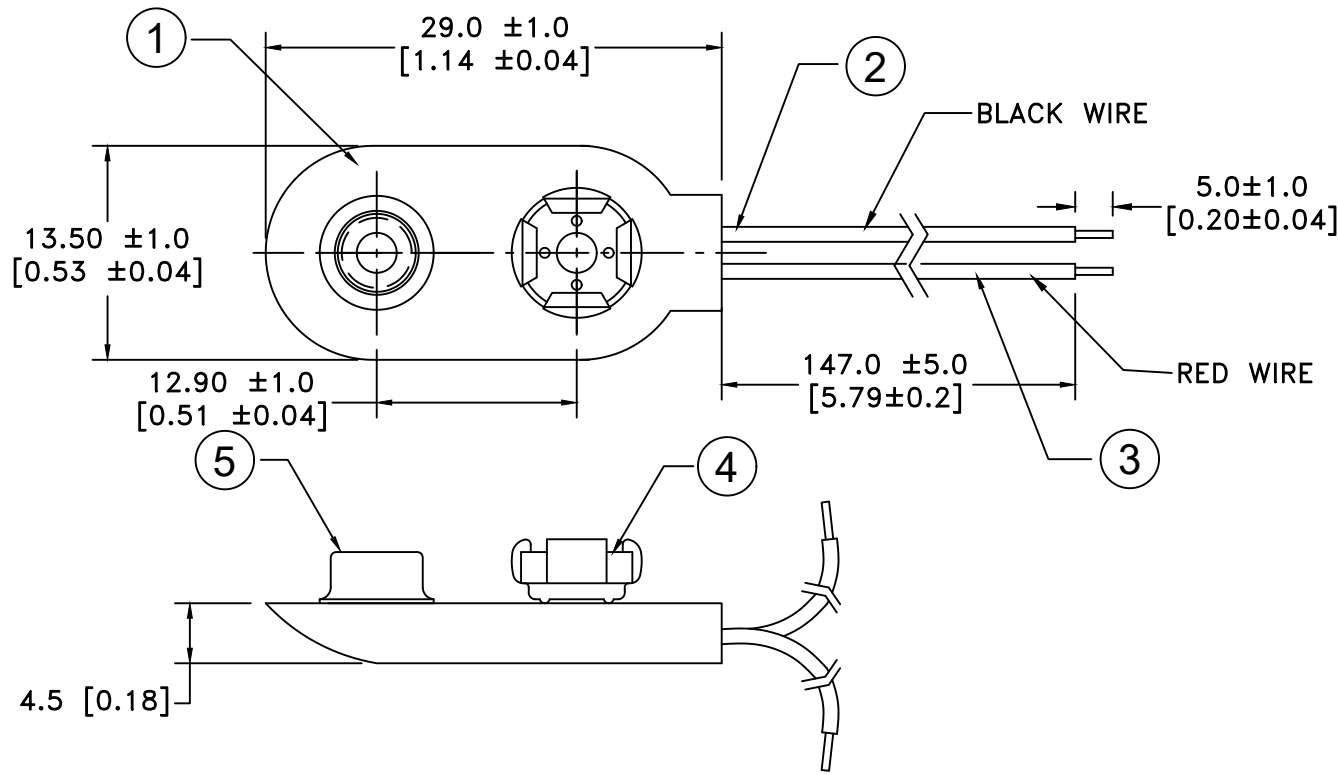


| Date | SYM | REVISION RECORD | AUTH | DR. | CK. |
|---------|-----|------------------------|------|------|-----|
| 6/07/19 | C | UPDATED ALL DIMENSIONS | T.B. | B.S. | |
| | | | | | |
| | | | | | |
| | | | | | |



NOTE:
ROHS COMPLIANT

| N0. | PART NAME | MATERIAL | QTY. | Tolerance (Except as noted) | MPD Memory Protection Devices, Inc 200 Broad Hollow Road, Farmingdale, New York 11735 | |
|-----|---------------|--|------|--------------------------------|--|------------------|
| 1 | COVER | PVC COVER OVER FIBERBOARD | 1 | decimal ±.5 (.020) | Scale | Drawn By B.S. |
| 2 | BLACK WIRE(-) | 22 AWG, UL-1007, CSA TR-64, 300V, 80°C | 1 | | | Approved By T.B. |
| 3 | RED WIRE (+) | 22 AWG, UL-1007, CSA TR-64, 300V, 80°C | 1 | Fractional ± .8 (.030) | Title | |
| 4 | FEMALE SNAP | BRASS, NICKLE PLATED | 1 | | 9 VOLT BATTERY SNAP-I STYLE-6" WIRE LEADS, 22 AWG | |
| 5 | MALE SNAP | BRASS NICKLE PLATED | 1 | | Date | Drawing Number |
| | | | | ± 3° | 6/07/19 | BS6I-22 |