

ATV340U07N4E

Variable speed drive, Altivar Machine ATV340,
0.75 kW Heavy Duty, 400 V, 3 phases,
Ethernet



Main

Range of Product	Altivar Machine ATV340
Product or Component Type	Variable speed drive
Product Specific Application	Machine
Variant	Standard version
Mounting Mode	Cabinet mount
Communication Port Protocol	Modbus TCP Modbus serial EtherNet/IP
Option card	Communication module, Profinet Communication module, DeviceNet Communication module, CANopen Communication module, EtherCAT
Phase	3 phase
Supply frequency	50...60 Hz +/- 5 %
[Us] rated supply voltage	380...480 V - 15...10 %
Nominal output current	2.2 A
Motor power kW	1.1 KW normal duty 0.75 kW heavy duty
Maximum Horse Power Rating	1.5 Hp normal duty 1 hp heavy duty
EMC filter	Class C3 EMC filter integrated
IP degree of protection	IP20

Complementary

Discrete input number	5
Discrete input type	PTI programmable as pulse input 0...30 kHz, 24 V DC 30 V) DI1...DI5 safe torque off, 24 V DC 30 V)3.5 kOhm programmable
Number of preset speeds	16 preset speeds
Discrete output number	2.0
Discrete output type	Programmable output DQ1, DQ2 30 V DC 100 mA
Analogue input number	2
Analogue input type	AI1 software-configurable current 0...20 mA 250 Ohm 12 bits AI1 software-configurable temperature probe or water level sensor AI1 software-configurable voltage 0...10 V DC 31.5 kOhm 12 bits AI2 software-configurable voltage - 10...10 V DC 31.5 kOhm 12 bits
Analogue output number	2
Analogue output type	Software-configurable voltage AQ1 0...10 V DC 470 Ohm 10 bits Software-configurable current AQ1 0...20 mA 500 Ohm 10 bits
Relay output number	2
Output voltage	<= power supply voltage
Relay output type	Relay outputs R1A Relay outputs R1C 100000 cycles Relay outputs R2A Relay outputs R2C 100000 cycles

The information provided in this documentation contains general descriptions and/or technical characteristics of the performance of the products contained herein. This documentation is not intended as a substitute for and is not to be used for determining suitability or reliability of these products for specific user applications. It is the duty of any such user or integrator to perform the appropriate and complete risk analysis, evaluation and testing of the products with respect to the relevant specific application or use thereof. Neither Schneider Electric Industries SAS nor any of its affiliates or subsidiaries shall be responsible or liable for misuse of the information contained herein.

Maximum switching current	Relay output R1C resistive, cos phi = 1.3 A 250 V AC Relay output R1C resistive, cos phi = 1.3 A 30 V DC Relay output R1C inductive, cos phi = 0.4 7 ms 2 A 250 V AC Relay output R1C inductive, cos phi = 0.4 7 ms 2 A 30 V DC Relay output R2C resistive, cos phi = 1.5 A 250 V AC Relay output R2C resistive, cos phi = 1.5 A 30 V DC Relay output R2C inductive, cos phi = 0.4 7 ms 2 A 250 V AC Relay output R2C inductive, cos phi = 0.4 7 ms 2 A 30 V DC
Minimum switching current	Relay output R1B 5 mA 24 V DC Relay output R2C 5 mA 24 V DC
Physical interface	2-wire RS 485
Connector type	3 RJ45
Method of access	Slave Modbus RTU Slave Modbus TCP
Transmission Rate	4.8 kbit/s 9.6 kbit/s 19.2 kbit/s 38.4 kbit/s
Transmission frame	RTU
Number of addresses	1...247
Data format	8 bits, configurable odd, even or no parity
Type of polarization	No impedance
4 quadrant operation possible	True
Asynchronous motor control profile	Constant torque standard Variable torque standard Optimized torque mode
Synchronous motor control profile	Reluctance motor Permanent magnet motor
Pollution degree	2 EN/IEC 61800-5-1
Maximum output frequency	0.599 kHz
Acceleration and deceleration ramps	S, U or customized Linear adjustable separately from 0.01...9999 s
Motor slip compensation	Automatic whatever the load Adjustable Not available in permanent magnet motor law Can be suppressed
Switching frequency	2...16 kHz adjustable 14...16 kHz with derating factor
Nominal switching frequency	4 kHz
Braking to standstill	By DC injection
Brake chopper integrated	True
Line current	2.6 A 380 V normal duty) 2.1 A 480 V normal duty) 3.4 A 380 V heavy duty) 2.6 A 480 V heavy duty)
Line current	2.6 A 480 V without line choke heavy duty) 2.6 A 380 V with external line choke normal duty) 2.1 A 480 V with external line choke normal duty) 1.9 A 380 V with external line choke heavy duty) 1.6 A 480 V with external line choke heavy duty) 3.4 A 380 V without line choke heavy duty)
Maximum Input Current per Phase	3.4 A
Maximum output voltage	480 V
Apparent power	2.2 KVA 480 V normal duty) 2.2 kVA 480 V heavy duty)
Maximum transient current	3.1 A 60 s normal duty) 3.3 A 60 s heavy duty) 3.8 A 2 s normal duty) 4 A 2 s heavy duty)
Electrical connection	Screw terminal 1.5...4 mm ² line side Screw terminal 4...6 mm ² DC bus Screw terminal 1.5...4 mm ² motor Screw terminal 0.2...2.5 mm ² control
Prospective line I _{sc}	5 kA
Base load current at high overload	2.2 A
Base load current at low overload	2.8 A

Power dissipation in W	Natural convection 28 W 380 V 4 kHz heavy duty) Forced convection 28 W 380 V 4 kHz heavy duty) Natural convection 33 W 380 V 4 kHz normal duty) Forced convection 33 W 380 V 4 kHz normal duty)
Electrical connection	Line side screw terminal 1.5...4 mm ² AWG 14...AWG 12 DC bus screw terminal 4...6 mm ² AWG 12...AWG 10 Motor screw terminal 1.5...4 mm ² AWG 14...AWG 12 Control screw terminal 0.2...2.5 mm ² AWG 24...AWG 12
With safety function Safely Limited Speed (SLS)	True
With safety function Safe brake management (SBC/SBT)	True
With safety function Safe Operating Stop (SOS)	False
With safety function Safe Position (SP)	False
With safety function Safe programmable logic	False
With safety function Safe Speed Monitor (SSM)	False
With safety function Safe Stop 1 (SS1)	True
With sft fct Safe Stop 2 (SS2)	False
With safety function Safe torque off (STO)	True
With safety function Safely Limited Position (SLP)	False
With safety function Safe Direction (SDI)	False
Protection type	Thermal protection motor Safe torque off motor Motor phase loss motor Thermal protection drive Safe torque off drive Overheating drive Overcurrent drive Output overcurrent between motor phase and earth drive Output overcurrent between motor phases drive Short-circuit between motor phase and earth drive Short-circuit between motor phases drive Motor phase loss drive DC Bus overvoltage drive Line supply overvoltage drive Line supply undervoltage drive Input supply loss drive Exceeding limit speed drive Break on the control circuit drive
Width	3.35 in (85.0 mm)
Height	10.63 in (270.0 mm)
Depth	9.15 in (232.5 mm)
Net Weight	3.75 lb(US) (1.7 kg)
Continuous output current	2.2 A 4 kHz heavy duty 2.8 A 4 kHz normal duty

Environment

Operating altitude	<= 9842.52 ft (3000 m) with current derating above 1000m
Operating position	Vertical +/- 10 degree
Product Certifications	UL CSA TÜV EAC CTick
Marking	CE
Standards	EN/IEC 61800-3 EN/IEC 61800-5-1 IEC 60721-3 IEC 61508 IEC 13849-1 UL 618000-5-1 UL 508C
Assembly style	With heat sink
Electromagnetic compatibility	Electrostatic discharge immunity test level 3 IEC 61000-4-2 Radiated radio-frequency electromagnetic field immunity test level 3 IEC 61000-4-3 Electrical fast transient/burst immunity test level 4 IEC 61000-4-4 1.2/50 µs - 8/20 µs surge immunity test level 3 IEC 61000-4-5 Conducted radio-frequency immunity test level 3 IEC 61000-4-6

Environmental class (during operation)	Class 3C3 according to IEC 60721-3-3 Class 3S3 according to IEC 60721-3-3
Maximum acceleration under shock impact (during operation)	70 m/s ² at 22 ms
Maximum acceleration under vibrational stress (during operation)	5 m/s ² at 9...200 Hz
Maximum deflection under vibratory load (during operation)	1.5 mm at 2...9 Hz
Permitted relative humidity (during operation)	Class 3K5 according to EN 60721-3
Volume of cooling air	4755.18 Gal/hr(US) (18.0 m3/h)
Type of cooling	Forced convection
Overvoltage category	Class III
Regulation loop	Adjustable PID regulator
Noise level	52.7 dB
Pollution degree	2
Ambient air transport temperature	-40...158 °F (-40...70 °C)
Ambient air temperature for operation	5...122 °F (-15...50 °C) without derating vertical position) 122...140 °F (50...60 °C) with derating factor vertical position)
Ambient Air Temperature for Storage	-40...158 °F (-40...70 °C)
Isolation	Between power and control terminals

Ordering and shipping details

Category	22182 - ATV340 (1 THRU 25 HP)
Discount Schedule	CP4B
GTIN	3606480966989
Nbr. of units in pkg.	1
Package weight(Lbs)	5.48 lb(US) (2.485 kg)
Returnability	No
Country of origin	ID

Packing Units

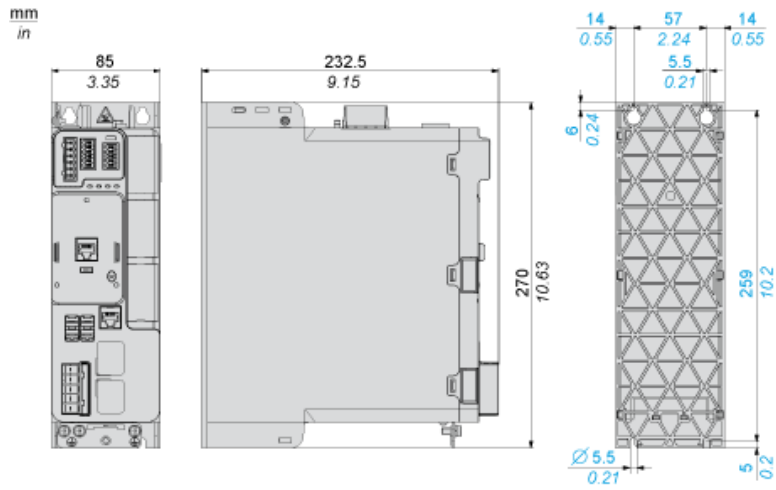
Unit Type of Package 1	PCE
Package 1 Height	4.21 in (10.7 cm)
Package 1 width	14.76 in (37.5 cm)
Package 1 Length	12.40 in (31.5 cm)
Unit Type of Package 2	BB1
Number of Units in Package 2	1
Package 2 Weight	4.81 lb(US) (2.18 kg)
Package 2 Height	4.21 in (10.7 cm)
Package 2 width	11.34 in (28.8 cm)
Package 2 Length	13.90 in (35.3 cm)
Unit Type of Package 3	S04
Number of Units in Package 3	2
Package 3 Weight	12.65 lb(US) (5.74 kg)
Package 3 Height	11.81 in (30 cm)
Package 3 width	15.75 in (40 cm)
Package 3 Length	23.62 in (60 cm)

Offer Sustainability

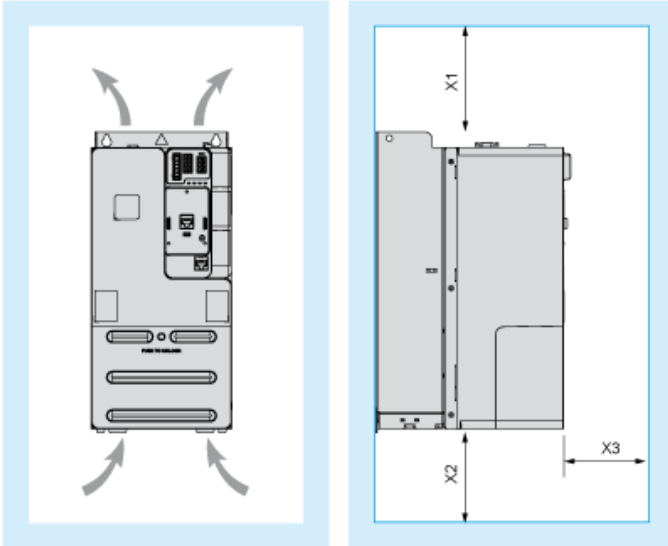
Sustainable offer status	Green Premium product
California proposition 65	WARNING: This product can expose you to chemicals including: Lead and lead compounds, which is known to the State of California to cause cancer and birth defects or other reproductive harm. For more information go to www.P65Warnings.ca.gov
REACH Regulation	REACH Declaration
EU RoHS Directive	Pro-active compliance (Product out of EU RoHS legal scope) EU RoHS Declaration
Mercury free	Yes
RoHS exemption information	Yes
China RoHS Regulation	China RoHS Declaration
Environmental Disclosure	Product Environmental Profile
Circularity Profile	End Of Life Information
WEEE	The product must be disposed on European Union markets following specific waste collection and never end up in rubbish bins.
Upgradeability	Upgraded Components Available

Dimensions

Views: Front - Left - Rear



Clearance



Dimensions in mm

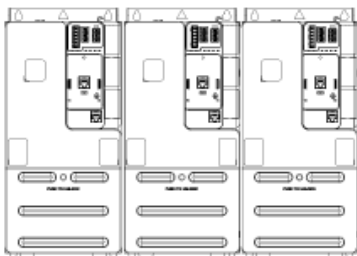
X1	X2	X3
≥ 100	≥ 100	≥ 60

Dimensions in in.

X1	X2	X3
≥ 3.94	≥ 3.94	≥ 2.36

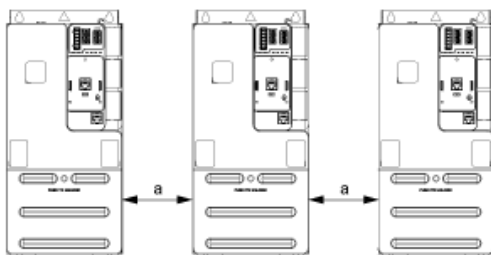
Mounting Types

Mounting Type A: Side by Side IP20



Possible, at ambient temperature ≤ 50 °C (122 °F)

Mounting Type B: Individual IP20

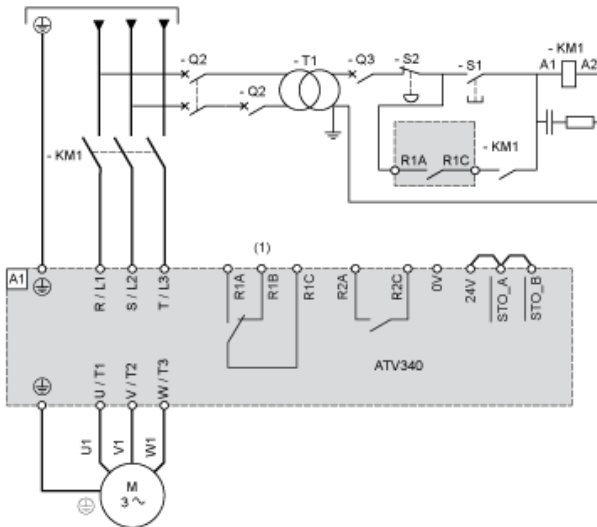


a ≥ 50 mm (1.97 in.) from 50...60°C, no restriction below 50°C

Connections and Schema

Three-phase Power Supply with Upstream Breaking via Line Contactor Without Safety Function STO

Connection diagrams conforming to standards ISO13849 category 1 and IEC/EN 61508 capacity SIL1, stopping category 0 in accordance with standard IEC/EN 60204-1.



(1) Use relay output R1 set to operating state Fault to switch Off the product once an error is detected.

A1 : Drive

KM1 :Line Contactor

Q2, Q3 : Circuit breakers

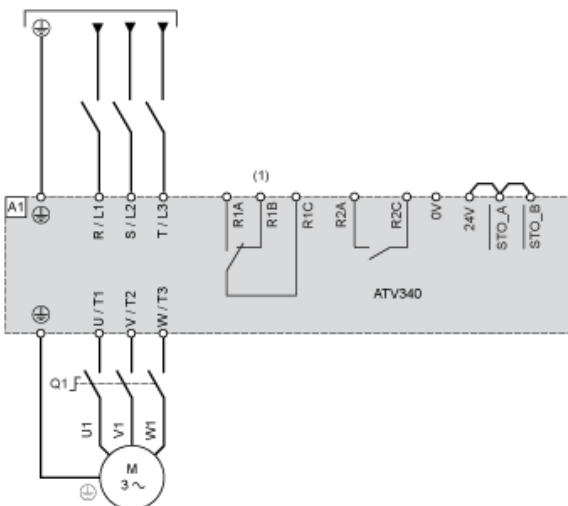
S1 :

S1 : Pushbutton

S2 : Emergency stop

T1 : Transformer for control part

Three-phase Power Supply With Downstream Breaking via Switch Disconnecter



(1) Use relay output R1 set to operating state Fault to switch Off the product once an error is detected.

A1 : Drive

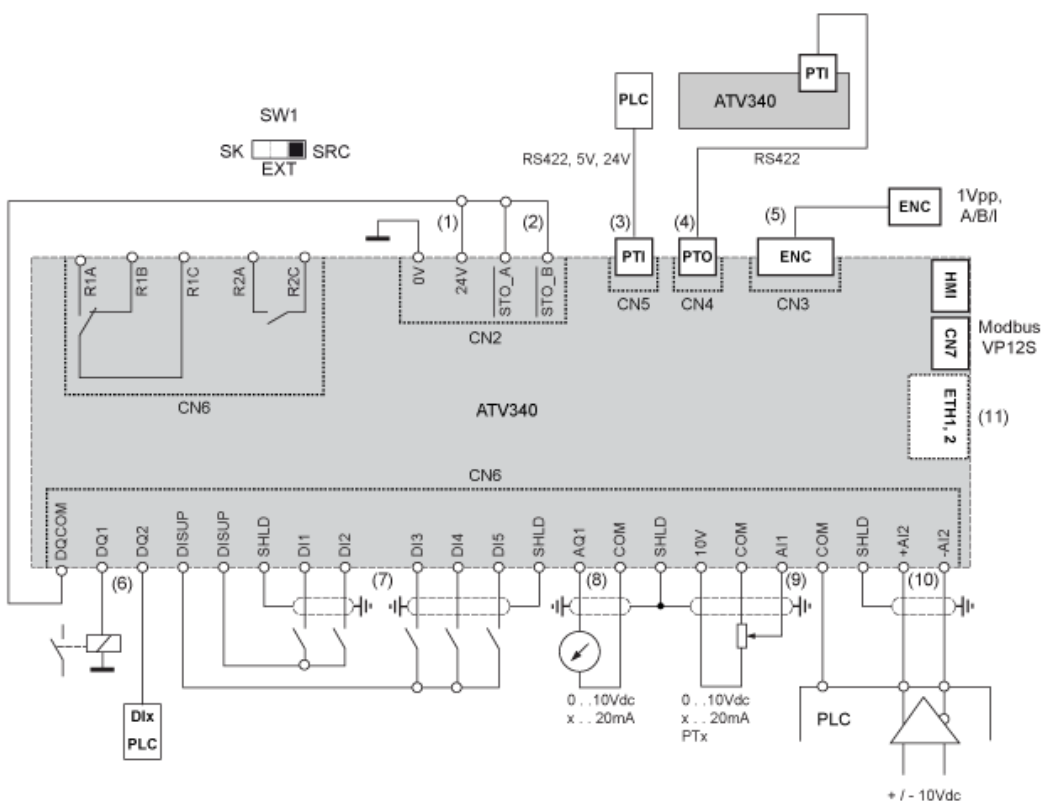
Q1 : Switch disconnecter

Sensor Connection



It is possible to connect either 1 or 3 sensors on terminals AI1.

Control Block Wiring Diagram



- (1) 24V supply (STO)
- (2) STO - Safe Torque Off
- (3) PTI - Pulse Train In
- (4) PTO - Pulse Train Out
- (5) Motor Encoder connection
- (6) Digital outputs
- (7) Digital inputs
- (8) Analog output
- (9) Analog input
- (10) Differential Analog Input
- (11) Ethernet port (only on Ethernet drive version)
- SW1 Sink/Source switch
- R1A, Fault relay
- R1B,
- R1C :
- R2A, Sequence relay
- R2C :

Digital Inputs Wiring

Digital Inputs: Internal Supply

Using DISUP Signal



In SRC position DISUP outputs 24 V. In SK position DISUP is connected to 0 V.

Digital Inputs: External Supply

Positive Logic, Source, European Style



Negative Logic, Sink, Asian Style



Digital Inputs: Internal supply

Negative Logic, Sink, Asian Style



Digital Outputs Wiring

Digital Outputs: Internal Supply

Positive Logic, Source, European Style, DQCOM to +24V



(1) Relay or valve

Negative Logic, Sink, Asian Style, DQCOM to 0V



(1) Relay or valve

Digital Outputs: External Supply

Positive Logic, Source, European Style, DQCOM to +24V



(1) Relay or valve

Negative Logic, Sink, Asian Style, DQCOM to 0V



(1) Relay or valve

Open Loop Applications



- 1 : Self-cooled motor: continuous useful torque
- 2 : Force-cooled motor: continuous useful torque
- 3 : Overtorque for 60 s maximum
- 4 : Transient overtorque for 2 s maximum
- 5 : Torque in overspeed at constant power

Closed Loop Applications



- 1 : Self-cooled motor: continuous useful torque
- 2 : Force-cooled motor: continuous useful torque
- 3 : Overtorque for 60 s maximum
- 4 : Transient overtorque for 2 s maximum
- 5 : Torque in overspeed at constant power