

LAYOUT SHOWN AS EXAMPLE

Keying Shown as example

CHARACTERISTICS

- Standard : Based on MIL-DTL-38999 Series III
- Shell Material : Composite
- Shell Plating : Nickel
- Insulator : Thermoplastic
- Contacts : Copper Alloy
- Seals & Grommet : Silicon Elastomer
- Contact Plating : Gold over copper Alloy 0.8µm minimum
- Durability : 500 Mating cycles
- Delivered without Souriau contacts
- Temperature Range : -65°C to +200°C
- Salt Spray : 2000 hours
- Mass : 22.7 g ± 10%

Connector dimension	
Dim	Nominal
P	3.25±0.2
PP	4.93±0.2
R1	29.36
R2	26.97
S	36.5±0.3
V'	19.5+1.4/-0
W'	2.1/3.65
Z'	32 Max
VV THREAD	M28x1-6g

SOURIAU shall not be liable for any non-conformity or damage due to a use of the Products which does not comply with the Specifications issued by either of the Parties or by a third party (professional recommendation, technical notice.)

Country	Jurisdiction & Control List
FR	Not Listed

PN: 8D019M11PNL

A	08-10-2016	First Release	
ISS	DATE	Latest modification - by	MOD N°
Designed By:		Date:	CUSTOMER DRAWING

TITLE Composite Receptacle 8D series

SCALE		General linear Tolerances: ±--	NPRDS / PROJECT
NA			859

SOURIAU WWW.SOURIAU.COM

This document is the property of SOURIAU it must not be reproduced or communicated without permission

FORMAT	SOURIAU DRG N° 8D019M11PNL-C		SHEET
A3			1/2

BASIC SERIES: 8D 0 - 19 M 11 P N L

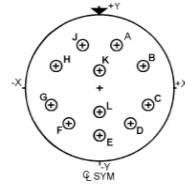
SHELL TYPE : Square Flange Receptacle Delivered W/O Contacts

CONTACT TYPE : Standard Crimp Contact ORIENTATION : N

SHELL SIZE : 19 CONTACT TYPE : PIN(500 Matings)

PLATING : M = Nickel CONTACT LAYOUT : 19-11

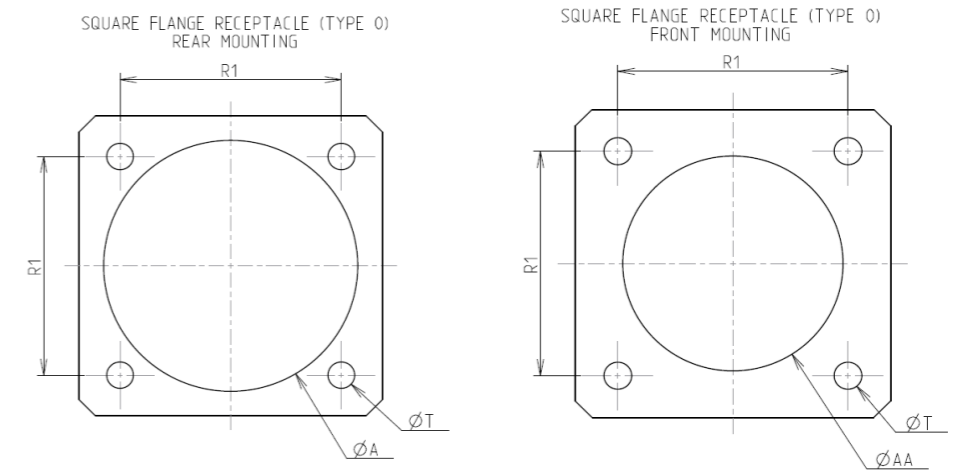
Contact Layout



Contacts (insert arrangement 19-11)					
Contact position ID	Location		Contact position ID	Location	
	X-axis (mm)	Y-axis (mm)		X-axis (mm)	Y-axis (mm)
A	+105 (2.67)	+260 (6.60)	G	-275 (6.99)	-053 (1.35)
B	+250 (6.35)	+132 (3.35)	H	-250 (6.35)	+132 (3.35)
C	+275 (6.99)	-053 (1.35)	J	-105 (2.67)	+260 (6.60)
D	+179 (4.55)	-215 (5.46)	K	+000 (0.00)	+105 (2.67)
E	+000 (0.00)	-281 (7.14)	L	+000 (0.00)	-092 (2.34)
F	-179 (4.55)	-215 (5.46)			

Shell size	Arrangement no.	Number of contacts	Size contacts	Service rating	Contact location	Supersedes
19	-11	11	16	II	All	MS20054-11

Panel Cutout



Dim	Nominal
ØA	32.96 min
ØAA	28.98 min
R1	29.36
ØT	3.25 ±0.13

SOURIAU shall not be liable for any non-conformity or damage due to a use of the Products which does not comply with the Specifications issued by either of the Parties or by a third party (professional recommendation, technical notice.)

Country	Jurisdiction & Control List
FR	Not Listed

PN: 8D019M11PNL

A	08-10-2016	First Release	
ISS	DATE	Latest modification - by	MOD N°
Designed By:		Date:	CUSTOMER DRAWING
TITLE	Composite Receptacle 8D series		
SCALE		General linear Tolerances:	NPRDS / PROJECT
NA		±--	859
SOURIAU	WWW.SOURIAU.COM		This document is the property of SOURIAU it must not be reproduced or communicated without permission
FORMAT	SOURIAU DRG N° 8D019M11PNL-C		SHEET 2/2