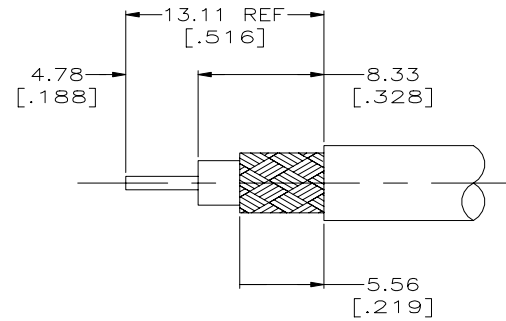
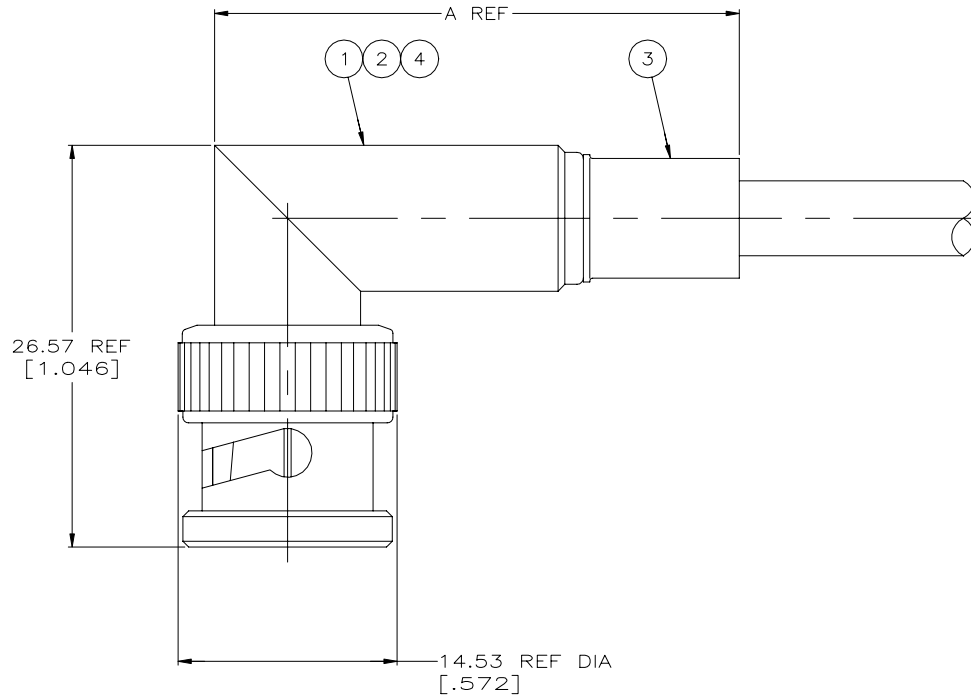


REVISIONS					
P	LTR	DESCRIPTION	DATE	DWN	APVD
P3	REV PER	ECR-21-103273	13MAY2021	RZ	WK

- △1 RG-58/U, RG-58A/U, RG-58B/U, & RG-58C/U
- △2 RG-55/U, RG-55A/U, RG-55B/U, & RG-223/U
- △3 RG-59/U, RG-59A/U, RG-59B/U, RG-62/U, RG-62A/U, & RG-62B/U
- △4 BELDEN YR-14041 (223 SPECIAL)
- △5 BELDEN 88240, HI-TEMP RG-58C/U, & BERK TEK BDT C 58
- △6 RG-188/U, 316 TYPE, DOUBLE BRAIDED CABLE
- 7. SEE I.S. 1914-5
- △8 OBSOLETE PARTS: OBSOLETE CIS STREAMLINING PER D.RENAUD/D.SINISI



RECOMMENDED STRIP LENGTH

SUPERSEDED BY 5225974-1	△1	69478-1	39.12 [1.540]	-	9-225381-0	1-331369-6	225975-3	9-225974-0
	△6	220009-1	37.29 [1.468]	227194-1	9-329049-0	1-331368-2	225975-6	1-225974-1
SUPERSEDED BY 225974-1	△2	69478-1	39.12 [1.540]	-	9-228783-0	1-331369-6	225975-3	1-225974-0
	△4	69478-1	39.12 [1.540]	-	9-225382-0	331369	225975-5	225974-7
	△3	69477-1	37.29 [1.468]	-	9-50428-0	2-331368-3	225975-4	225974-5
△8 OBSOLETE	△2	69478-1	39.12 [1.540]	-	9-225382-0	1-331369-6	225975-3	225974-2
	△1	69478-1	39.12 [1.540]	-	9-225381-0	1-331369-6	225975-3	225974-1
CABLE SIZE	HAND TOOL	A	△4 TUBING QTY=1	△3 FERRULE QTY=1	△2 CONTACT QTY=1	△1 PLUG ASSY QTY=1	PART NUMBER	

THIS DRAWING IS A CONTROLLED DOCUMENT.

DIMENSIONS: mm [INCHES]	TOLERANCES UNLESS OTHERWISE SPECIFIED: 0 PLC ± - 1 PLC ± - 2 PLC ± 0.41 [016] 3 PLC ± - 4 PLC ± - ANGLES ± -	DWN J. LIPPERT 12-12-90	CHK M. PHILLIPS 1-18-91	APVD M. PHILLIPS 1-18-91	NAME M. PHILLIPS	PRODUCT SPEC 108-12020	APPLICATION SPEC -	SIZE A2	CAGE CODE 00779	DRAWING NO C=225974	RESTRICTED TO -
MATERIAL -	FINISH -	WEIGHT 0.000000	CUSTOMER DRAWING		SCALE 4:1	SHEET 1 of 1	REV P.3				

**TE** TE Connectivity  
PLUG, RIGHT ANGLE, DUAL CRIMP, BNC