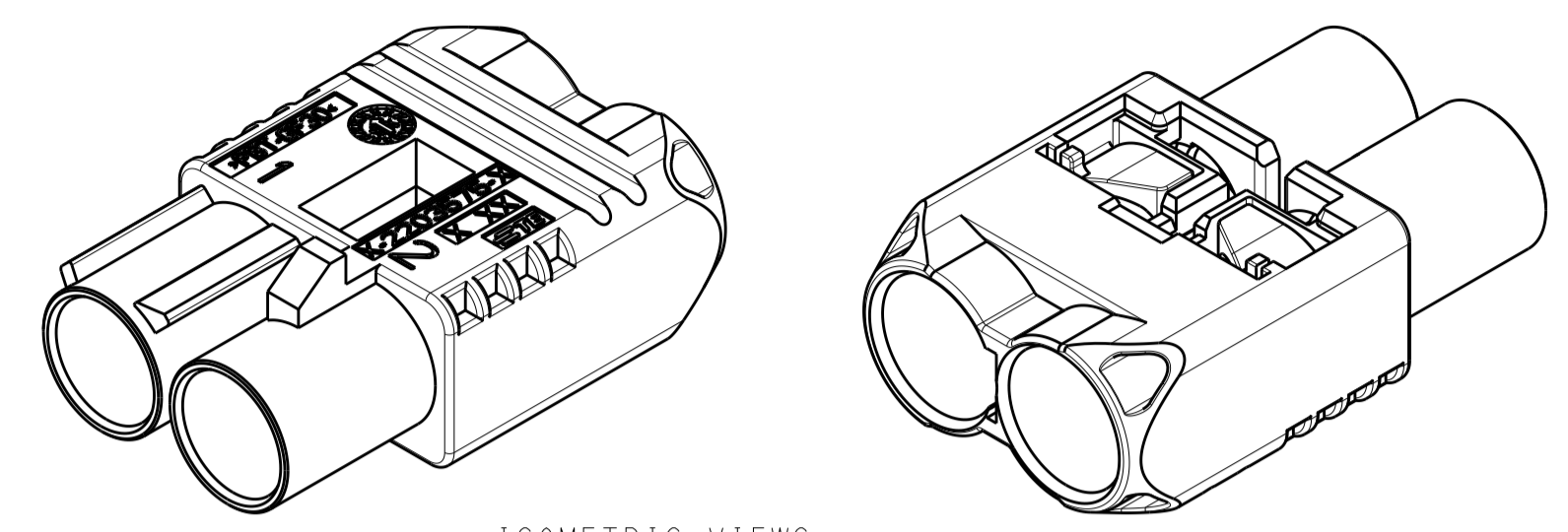
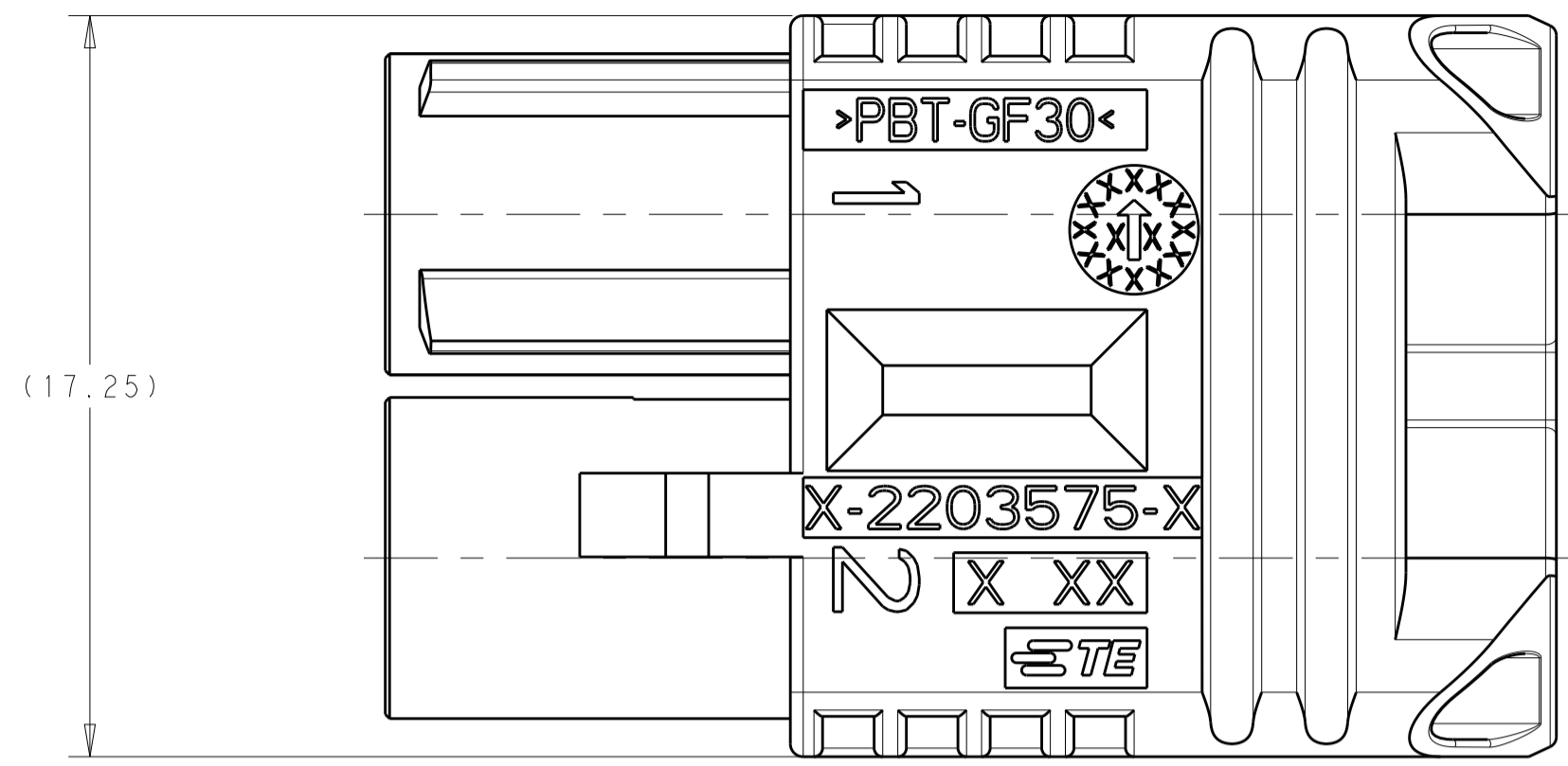
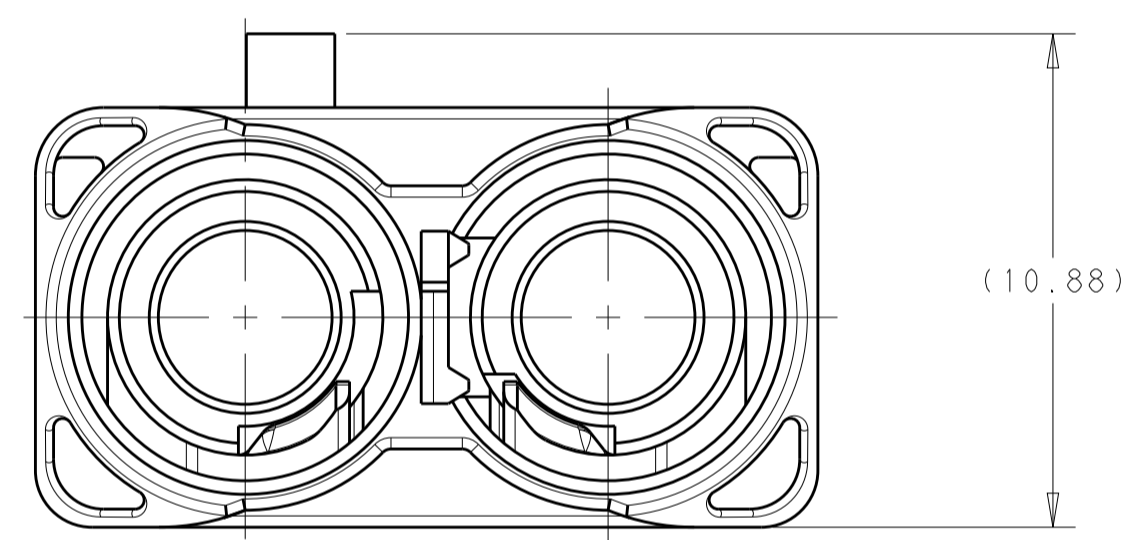
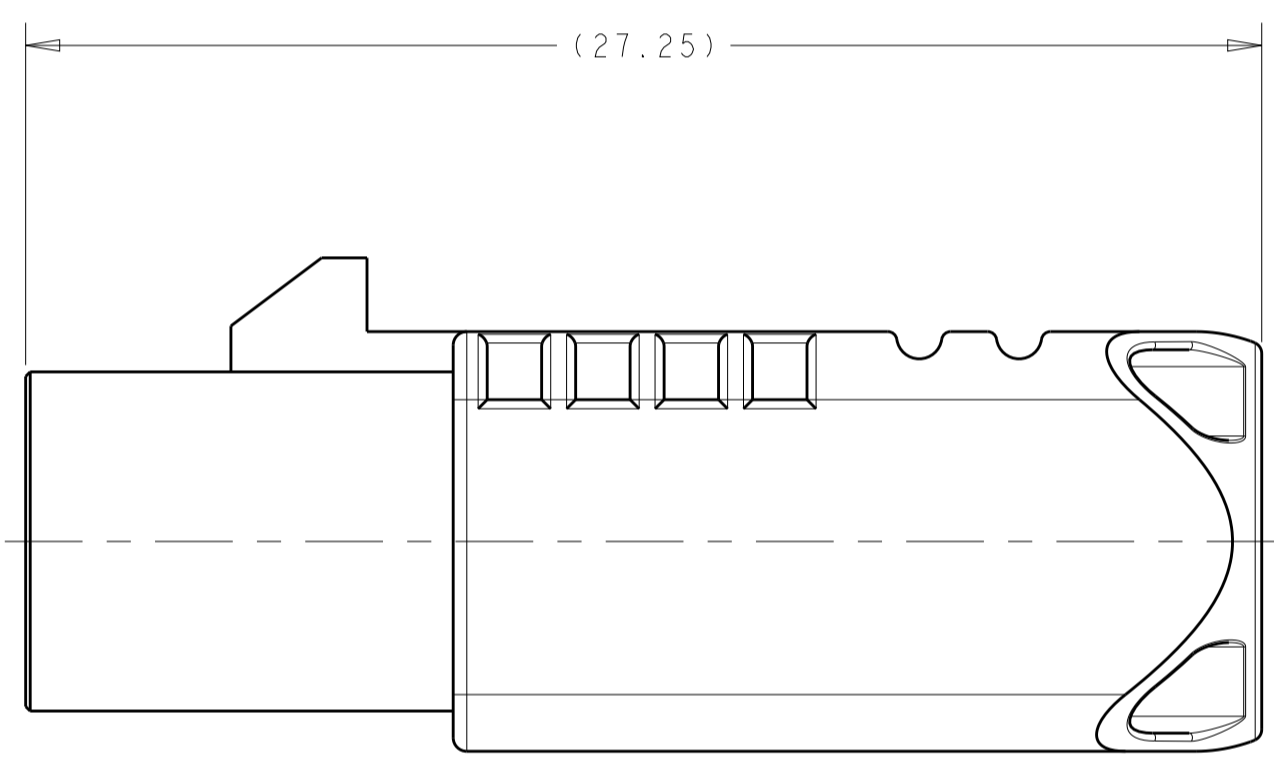
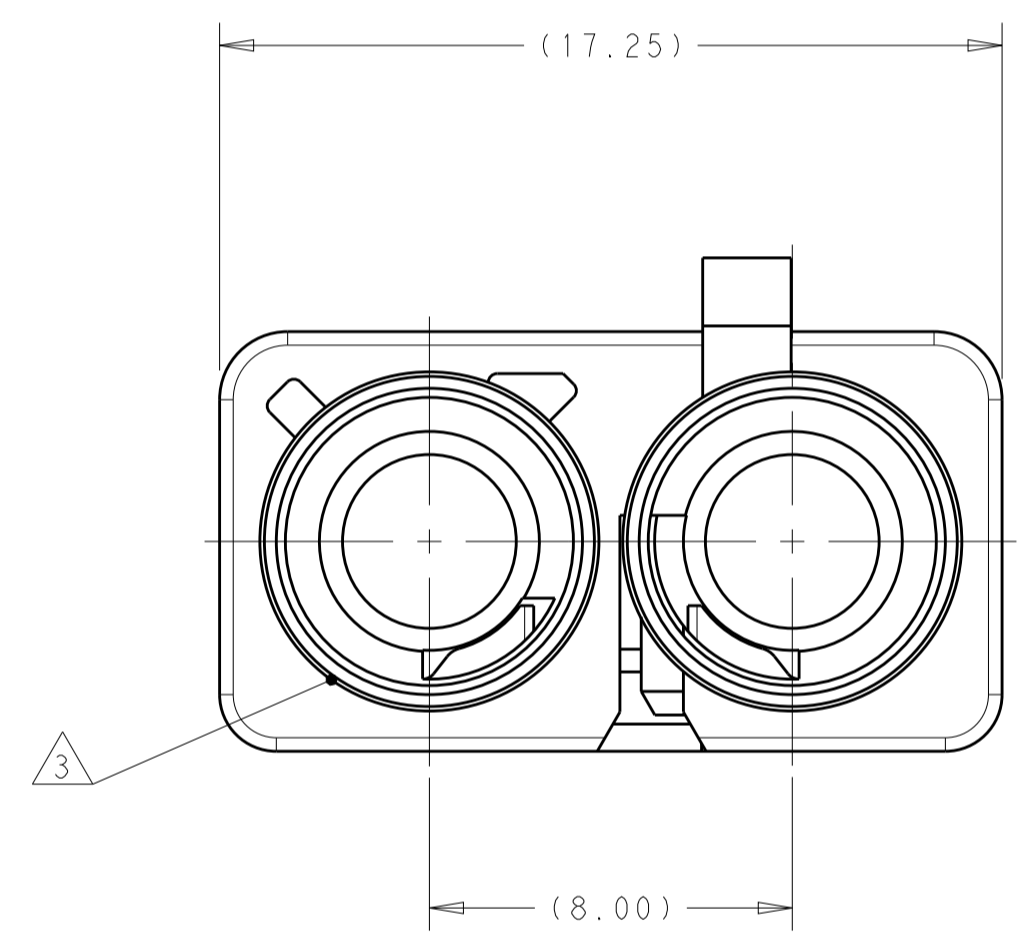


REVISIONS				
P.	LTN	DESCRIPTION	DATE	OWN APVD
1		INITIAL DRAWING.	26APR2017	JAB ERL



ISOMETRIC VIEWS
SCALE 3:1



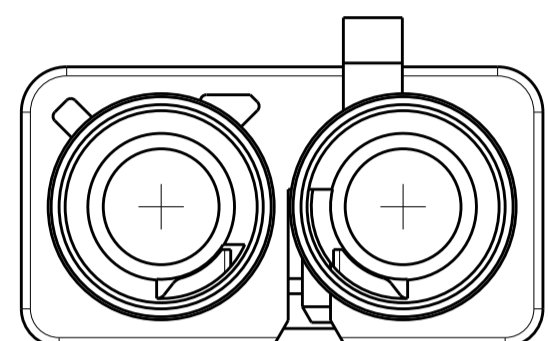
Z	PER DETAIL Z	WATER BLUE	2-2203575-0
N	PER DETAIL N	PASTEL GREEN	1-2203575-3
M	PER DETAIL M	PASTEL ORANGE	1-2203575-2
L	PER DETAIL L	CARMINE RED	1-2203575-1
K	PER DETAIL K	CURRY	1-2203575-0
I	PER DETAIL I	BEIGE	2203575-9
H	PER DETAIL H	HEATHER VIOLET	2203575-8
G	PER DETAIL G	BLUE GREY	2203575-7
F	PER DETAIL F	NUT BROWN	2203575-6
E	PER DETAIL E	LEAF GREEN	2203575-5
D	PER DETAIL D	CLARET VIOLET	2203575-4
C	PER DETAIL C	SIGNAL BLUE	2203575-3
B	PER DETAIL B	CREAM	2203575-2
A	PER DETAIL A	JET BLACK	2203575-1
KEY CODE	KEYING	CODING COLOR	PART NUMBER

1. 2203575-1 AS SHOWN.
 2 MATERIAL, POLYESTER PBT, COLOR SEE TABLE.
 3 MALE INTERFACE PER ISO-20860-1, ISO-20860-2, SAE/USCAR-17, SAE/USCAR-18.

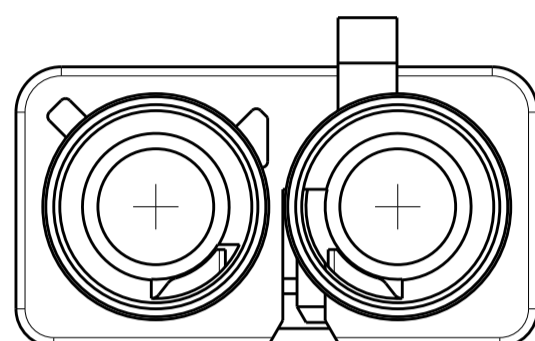
THIS DRAWING IS A CONTROLLED DOCUMENT.		OWN J.A.BAKER 26APR2017	STE TE Connectivity	
DIMENSIONS: mm		CHK E.R.LOVE 18JUL2017		
TOLERANCES UNLESS OTHERWISE SPECIFIED:		APVD E.R.LOVE 18JUL2017	NAME MALE HOUSING, 2 POSITION, 8.0mm CENTERLINE, 180 DEGREE, FAKRA	
0 PLC ±		PRODUCT SPEC 108-32137	SIZE CAGE CODE DRAWING NO RESTRICTED TO	
1 PLC ±		APPLICATION SPEC 114-32145	A1 - C=2203575	
2 PLC ±		WEIGHT	SCALE 6:1 SHEET 1 OF 2 REV A	
3 PLC ±		FINISH	CUSTOMER DRAWING	
4 PLC ±				
ANGLES ±1°				

THIS DRAWING IS UNPUBLISHED. RELEASED FOR PUBLICATION. COPYRIGHT copyright_e81e- ALL RIGHTS RESERVED.

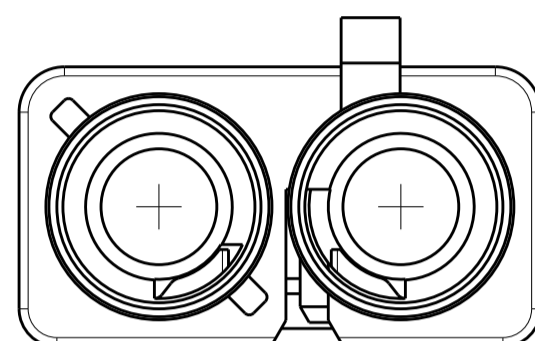
REVISIONS				
P.	LTN	DESCRIPTION	DATE	OWN APVD
-	-	SEE SHEET 1	-	-



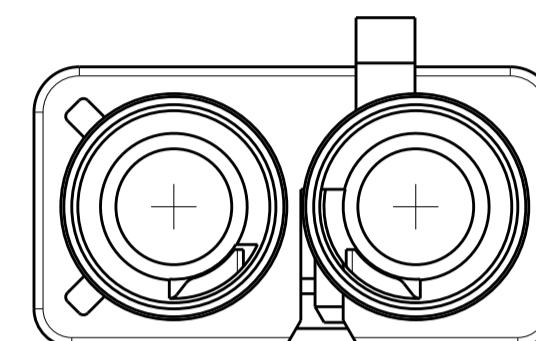
DETAIL A
SCALE 4:1



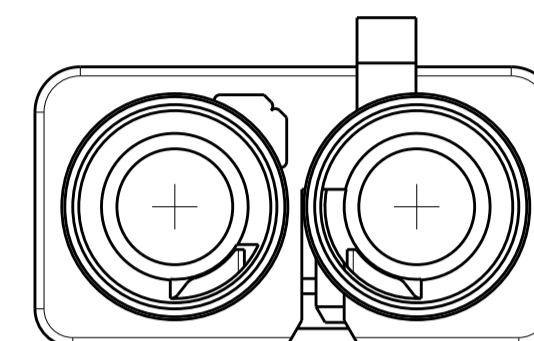
DETAIL B
SCALE 4:1



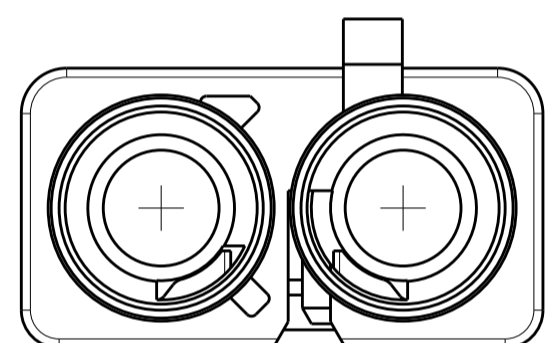
DETAIL C
SCALE 4:1



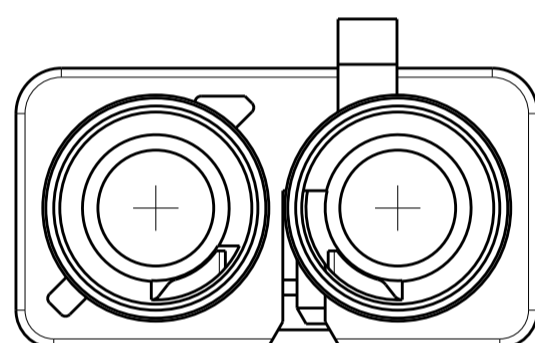
DETAIL D
SCALE 4:1



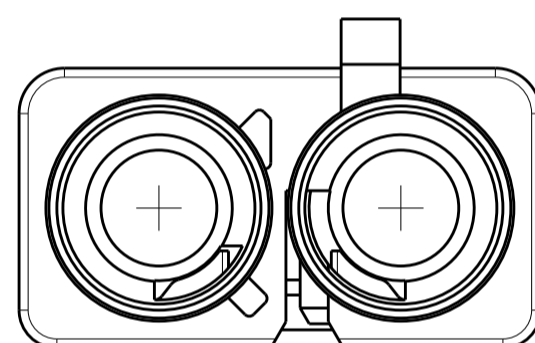
DETAIL E
SCALE 4:1



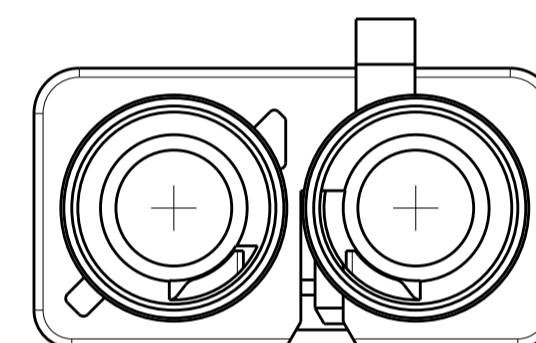
DETAIL F
SCALE 4:1



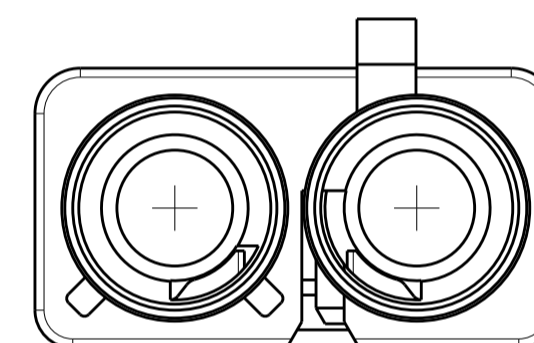
DETAIL G
SCALE 4:1



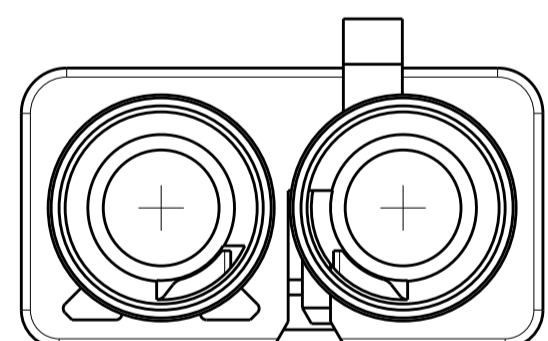
DETAIL H
SCALE 4:1



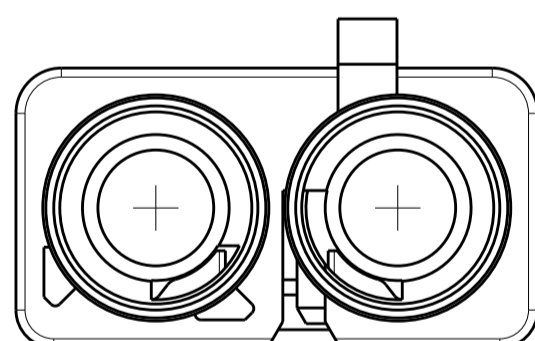
DETAIL I
SCALE 4:1



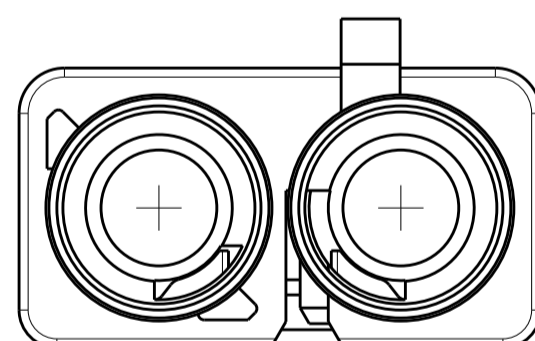
DETAIL K
SCALE 4:1



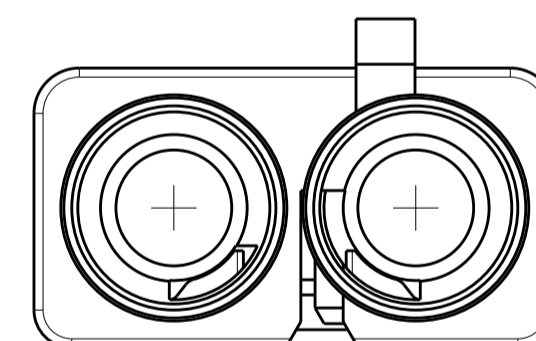
DETAIL L
SCALE 4:1



DETAIL M
SCALE 4:1



DETAIL N
SCALE 4:1



DETAIL Z
SCALE 4:1

THIS DRAWING IS A CONTROLLED DOCUMENT.		OWN: J.A. BAKER 26APR2017														
DIMENSIONS: mm		CHK: E.R. LOVE 18JUL2017														
TOLERANCES UNLESS OTHERWISE SPECIFIED:		APVD: E.R. LOVE 18JUL2017														
<table border="1"> <tr><td>0 PLC</td><td>±</td></tr> <tr><td>1 PLC</td><td>±</td></tr> <tr><td>2 PLC</td><td>±</td></tr> <tr><td>3 PLC</td><td>±</td></tr> <tr><td>4 PLC</td><td>±</td></tr> <tr><td>ANGLES</td><td>±1°</td></tr> <tr><td>FINISH</td><td></td></tr> </table>		0 PLC		±	1 PLC	±	2 PLC	±	3 PLC	±	4 PLC	±	ANGLES	±1°	FINISH	
0 PLC	±															
1 PLC	±															
2 PLC	±															
3 PLC	±															
4 PLC	±															
ANGLES	±1°															
FINISH																
MATERIAL: -	FINISH: -	SIZE: A1	RESTRICTED TO: - SCALE: 5:1 SHEET 2 OF 2 REV A													