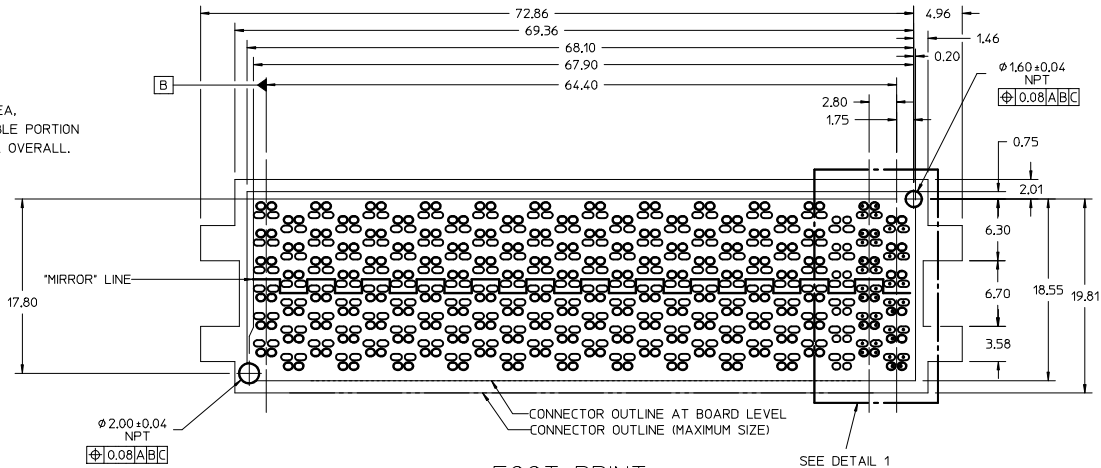
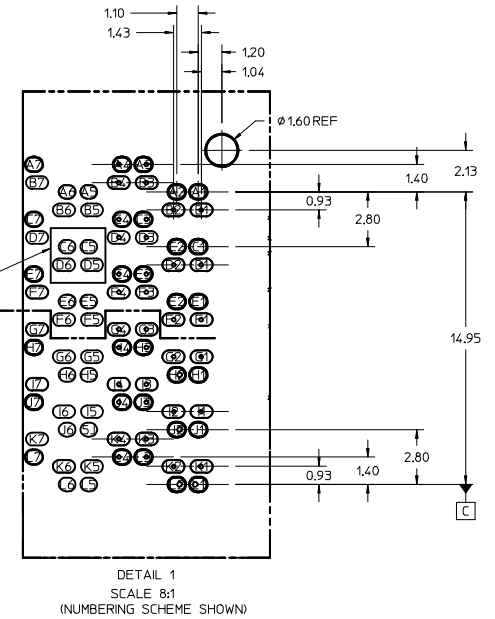


- NOTES:
- HOUSING MATERIAL: LCP, GLASS FILLED, UL 94V-0, BLACK
CONTACT MATERIAL: HIGH PERFORMANCE COPPER ALLOY
SOLDER CHARGE: LEAD FREE SOLDER ALLOY
 - FINISH:
CONTACTS: 30 MNCHES MIN SELECT GOLD ON CONTACT AREA,
AND 100 MNCHES MIN SELECT TIN ON SOLDERABLE PORTION
OF SOLDER TAILS; OVER 50 MNCHES MIN NICKEL OVERALL.
 - PRODUCT SPECIFICATION: PS-170807-0001
 - PACKAGING SPECIFICATION: PK-170807-002
 - APPLICATION SPECIFICATION: AS-170807-0001
 - MATES TO 1708142007.

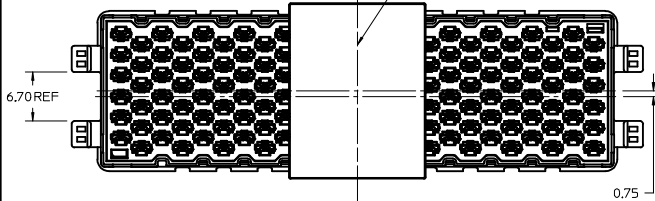
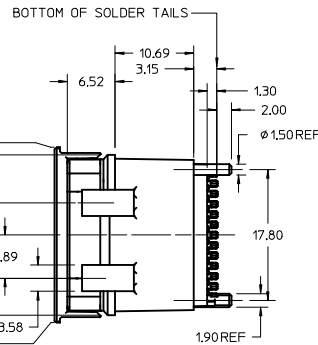
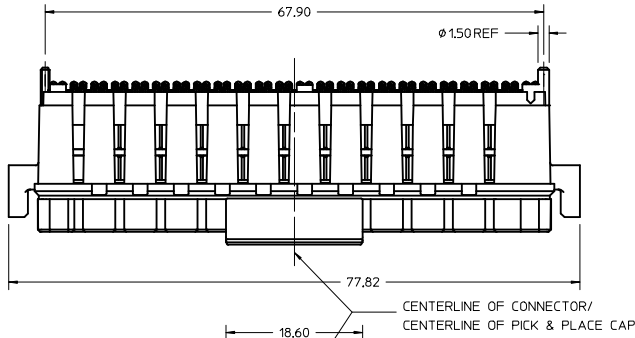


FOOT PRINT
(SCALE 4:1)

- FOOT PRINT NOTES:
- DATUM -A- IS THE TOP OF THE PCB.
 - ALL DIMENSIONS ARE BASICS.
 - SEE APPLICATION SPECIFICATION FOR ADDITIONAL INFORMATION



DETAIL 1
SCALE 8:1
(NUMBERING SCHEME SHOWN)



UPDATE REVISION IEC NO: UCP2016-1035 DRAWNSKANG 2015/09/10 CHYKD:JESSIECHUA 2015/09/30 APPR:SHONG 2015/09/30	QUALITY SYMBOLS ∇=0 ∇=0 ∇=0	GENERAL TOLERANCES (UNLESS SPECIFIED)		DIMENSION STYLE MM ONLY	SCALE 3:1	DESIGN UNITS METRIC	THIRD ANGLE PROJECTION
		4 PLACES ± --- ± --- 3 PLACES ± --- ± --- 2 PLACES ± 0.15 ± --- 1 PLACE ± --- ± --- 0 PLACE ± --- ± ---	mm INCH	DRAWN BY JESSIECHUA 2014/07/23	DATE 2014/07/23	TITLE PLUG WITH POWER 6X24, 18MM, 100 OHMS NEOSCALE	
		ANGULAR ±1/2° DRAFT WHERE APPLICABLE MUST REMAIN WITHIN DIMENSIONS	MATERIAL NO. 1708072007	DATE 2014/09/04	APPROVED BY SHONG	DOCUMENT NO. SD-170807-2007	
		SIZE D	SHEET NO. 1 OF 2				

