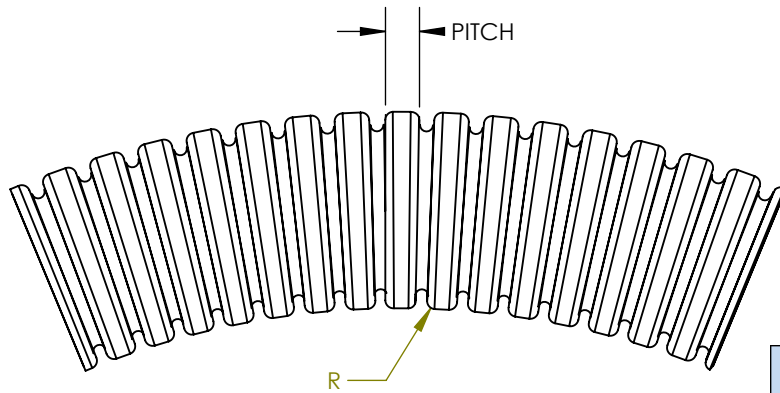
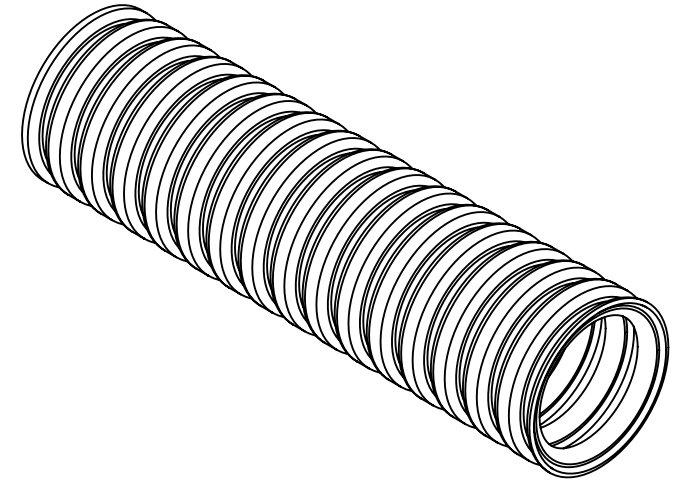
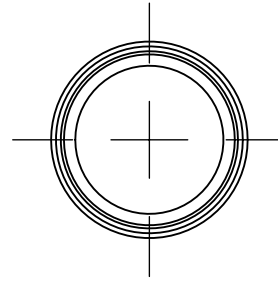
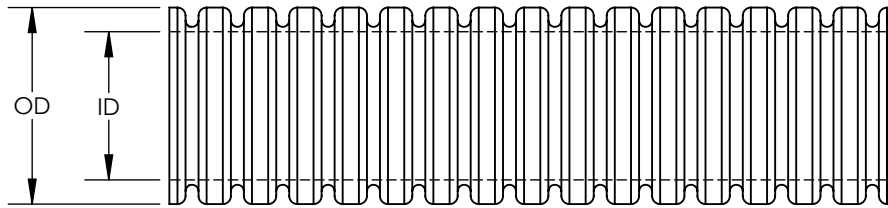


SW2014



Revision level			Revision Record	Changed	Date	Approved	Date
Drawing	State	Part					
00.0	Design Release		SEE ECN# 013582	GRW	10/12/2016	KAC	10/12/2016



Conduit Size		Euro Size	Pitch	HellermannTyton	Man'f Part	Outside Dimension (OD)		Inside Dimension (ID)		Minimum Bend Radius	Compression Strength	Weight
inches	mm	(NW)	F or C	Item Number	Reference	in	mm	in	mm	mm	kg/100mm	lbs / foot
3/8	16	12	F	HG-FR0380	FPR16	0.63	15.8	0.47	11.8	35	60	0.026
1/2	21	17	F	HG-FR0500	FPR21	0.84	21.2	0.66	16.7	45	75	0.04
3/4	28	23	C	HG-FR0750	FPR28	1.13	28.5	0.86	21.7	50	90	0.067
1	34	29	C	HG-FR1000	FPR34	1.36	34.5	1.11	28.1	60	90	0.091
1.25	42	36	C	HG-FR1250	FPR42	1.68	42.5	1.40	35.5	70	100	0.111
1.5	54	48	C	HG-FR1500	FPR54	2.15	54.5	1.86	47.2	80	100	0.158

Material
PA6 RATED UL94 V0

Units: **inches**
 Dimension without tolerances details to:
 .xxxx = ±.0005
 .xxx = ±.005
 .xx = ±.01
 .x = ±.03
 None = ±.06
 ∠ = ±0.5°
 Dimension Formatted in [mm]

The copyright of this drawing is reserved by HellermannTyton. It is issued on condition that it is not reproduced, copied, or disclosed to a third party, either wholly or in part, without the consent of HellermannTyton.

Drawn GRW 10/12/2016
 Approved KAC 10/12/2016

HellermannTyton
 North America
 Email: corp@htamericas.com
 Web: www.hellermann.tyton.com

Article/Type-No HG-FR SERIES
 Title **HELAGUARD STANDARD WEIGHT FLAME RETARDANT NYLON CONDUIT**
 Drawing-No PRODUCTION : Phase
15-0773-001-CSU

Scale 2:1
 Project Number PRP 15-0773
 Format AH
 Sheet 1/1