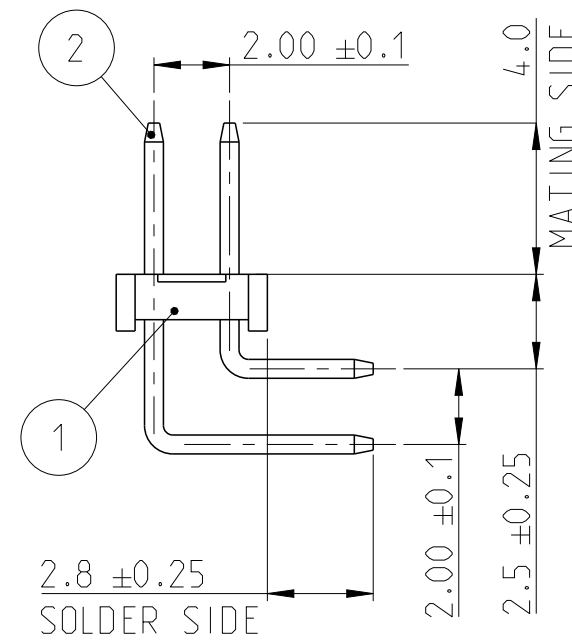
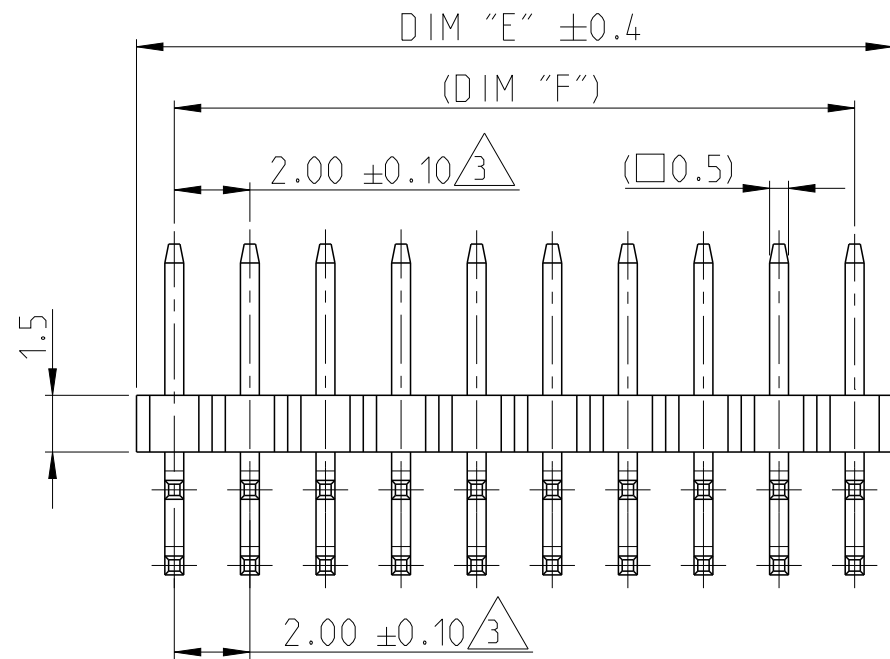
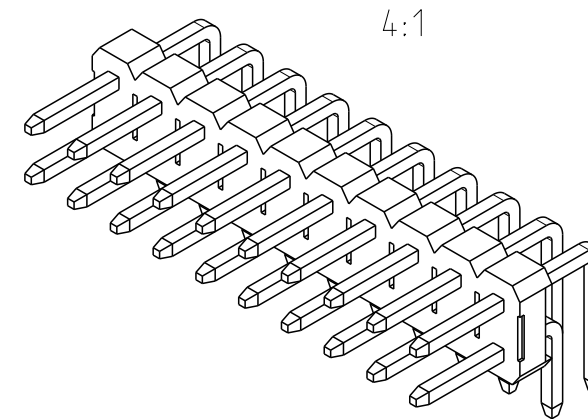
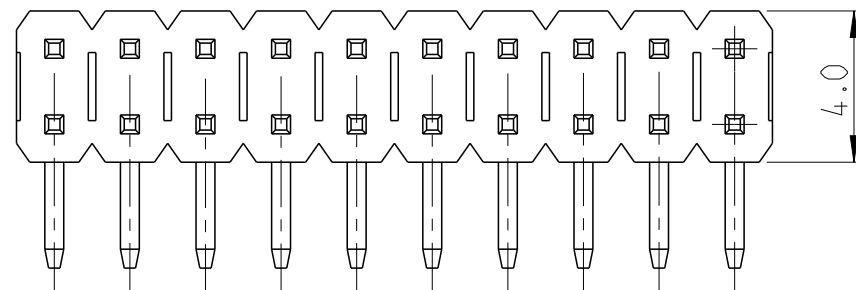


P	LTR	DESCRIPTION	DATE	DWN	APVD
	A	PRODUCTION RELEASE	30AUG2019	SS	PS
	A1	REMOVED TOLERANCE FROM DIM F	18DEC2019	AY	PS
	A2	ADDED POSITION 2 AND 3	11JUN2020	AY	PS

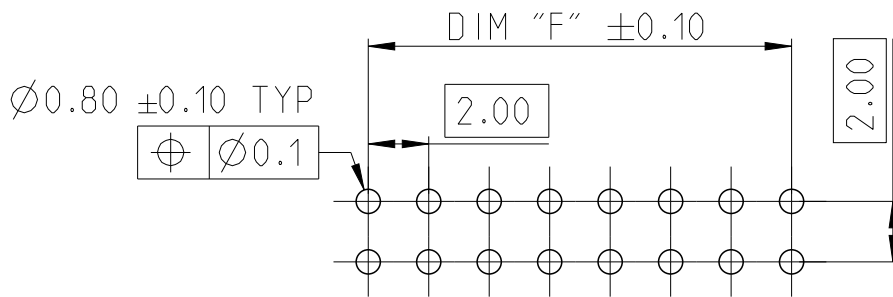


NOTES:

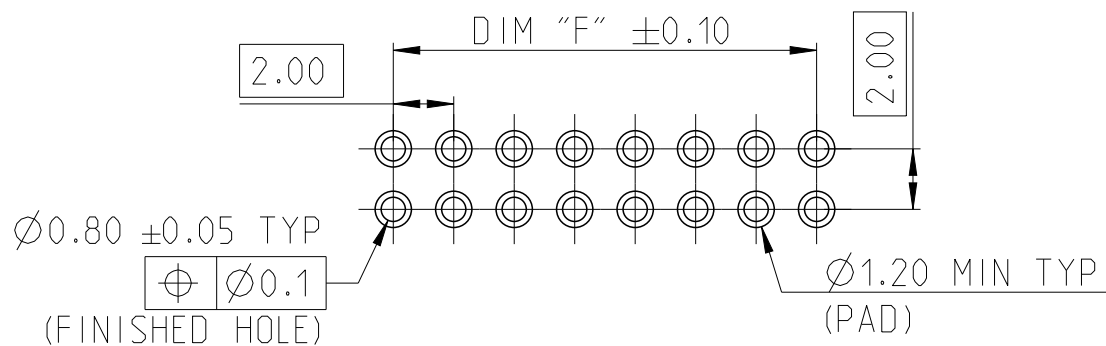
- MATERIAL  
HOUSING : HIGH TEMPERATURE THERMOPLASTIC, UL94-V0; COLOR- BLACK  
CONTACT PIN : COPPER ALLOY  
FINISH :  
MATING SIDE : MIN. 0.38 μm GOLD OVER NICKEL UNDER PLATING.  
SOLDER SIDE : MIN. 2.0 μm BRIGHT TIN OVER NICKEL UNDER PLATING.
- PACKAGING: TUBE.
- TOLERANCE NOT CUMULATIVE.
- CUTTING BURR MAX. 0.25 mm



48.0	50.0	25	2-2842151-5
46.0	48.0	24	2-2842151-4
44.0	46.0	23	2-2842151-3
42.0	44.0	22	2-2842151-2
40.0	42.0	21	2-2842151-1
38.0	40.0	20	2-2842151-0
36.0	38.0	19	1-2842151-9
34.0	36.0	18	1-2842151-8
32.0	34.0	17	1-2842151-7
30.0	32.0	16	1-2842151-6
28.0	30.0	15	1-2842151-5
26.0	28.0	14	1-2842151-4
24.0	26.0	13	1-2842151-3
22.0	24.0	12	1-2842151-2
20.0	22.0	11	1-2842151-1
18.0	20.0	10	1-2842151-0
16.0	18.0	9	2842151-9
14.0	16.0	8	2842151-8
12.0	14.0	7	2842151-7
10.0	12.0	6	2842151-6
8.0	10.0	5	2842151-5
6.0	8.0	4	2842151-4
4.0	6.0	3	2842151-3
2.0	4.0	2	2842151-2
DIM "F"	DIM "E"	POS. PER ROW	TE PN



RECOMMENDED PCB HOLE PATTERN FOR THROUGH HOLE WAVE



RECOMMENDED PCB HOLE PATTERN FOR THROUGH HOLE REFLOW /PIN-IN-PASTE

1-2842151-0 AS SHOWN

CONTACT PIN	2
HOUSING	1
DESCRIPTION	ITEM NO.

THIS DRAWING IS A CONTROLLED DOCUMENT.

DIMENSIONS:	TOLERANCES UNLESS OTHERWISE SPECIFIED:
mm	
0 PLC	±
1 PLC	±0.2
2 PLC	±0.15
3 PLC	±
4 PLC	±
ANGLES	±2°
MATERIAL	FINISH
SEE NOTES	SEE NOTES

DWN	08AUG2019
SUBHASREE S	
CHK	13AUG2019
KARTHIK JK	
APVD	14AUG2019
PRASHANTH S	
PRODUCT SPEC	108-64040
APPLICATION SPEC	114-32259
WEIGHT	-

		NAME	
		AMPMODU 2mm BREAKAWAY HEADER, DUAL ROW, RIGHT ANGLE, 0.38 Au, TUBE	
SIZE	CAGE CODE	DRAWING NO	RESTRICTED TO
A3	00779	©=2842151	-

CUSTOMER DRAWING	SCALE	SHEET	REV
	5:1	1 OF 1	A2