

MATERIALS AND FINISHES

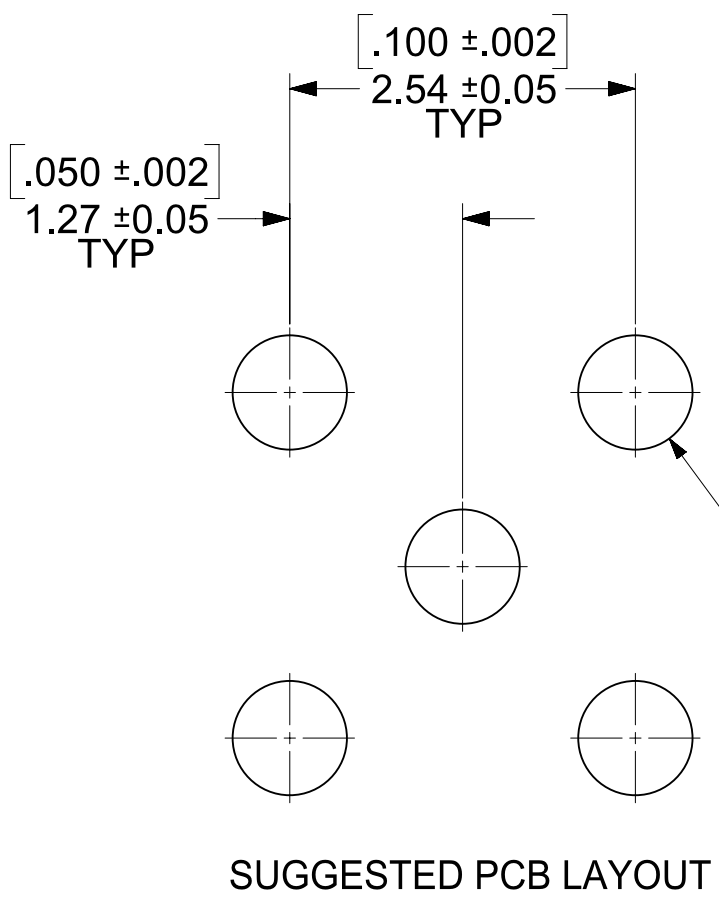
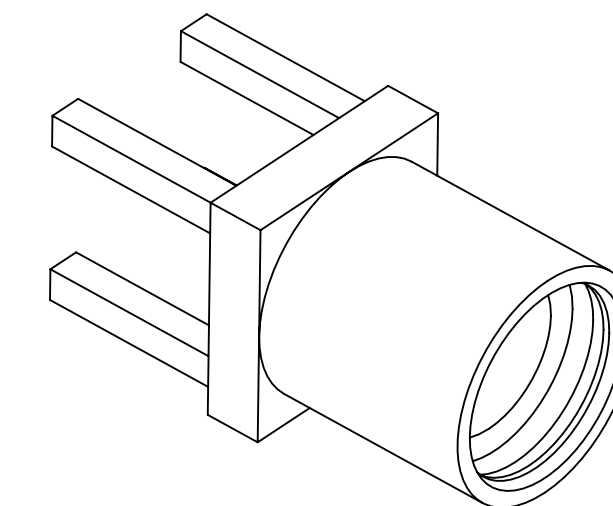
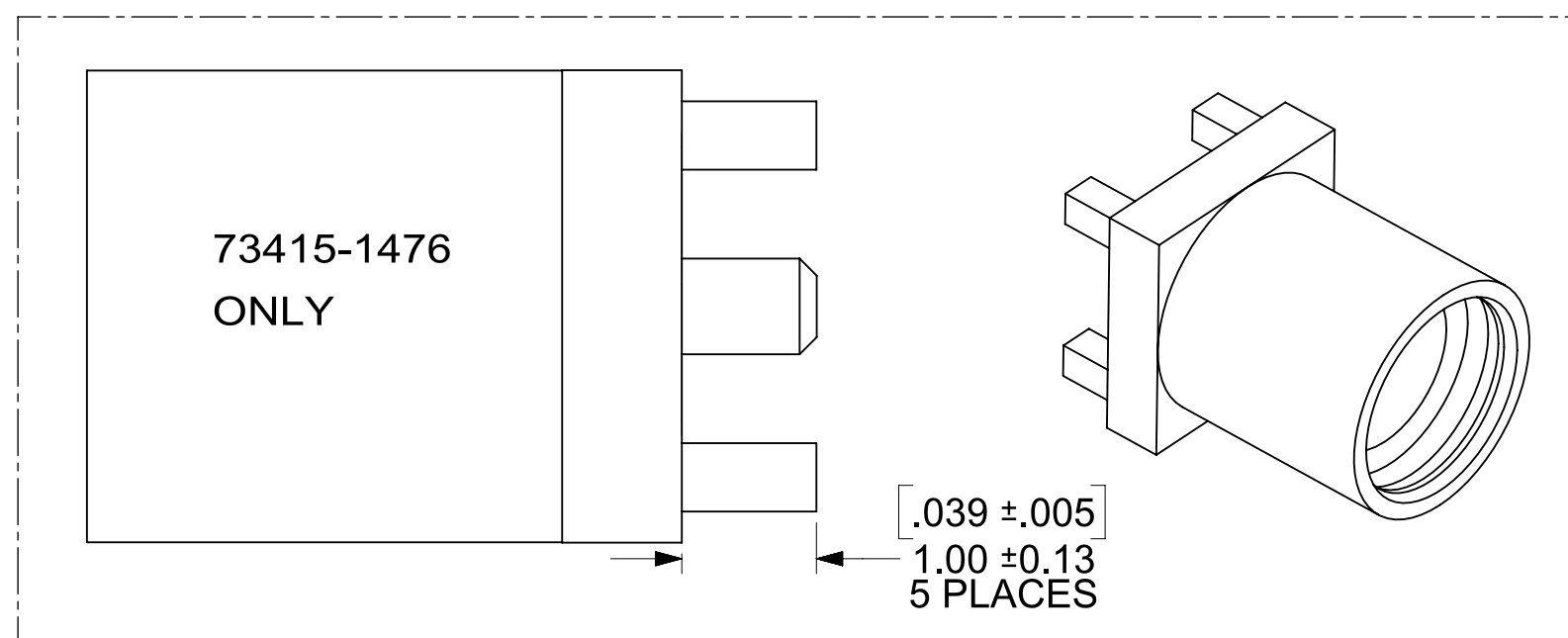
BODY SEE TABLE
PLATED SEE TABLE

CENTER CONTACT BERYLLIUM COPPER
PLATED SEE TABLE

INSULATOR TEFLON

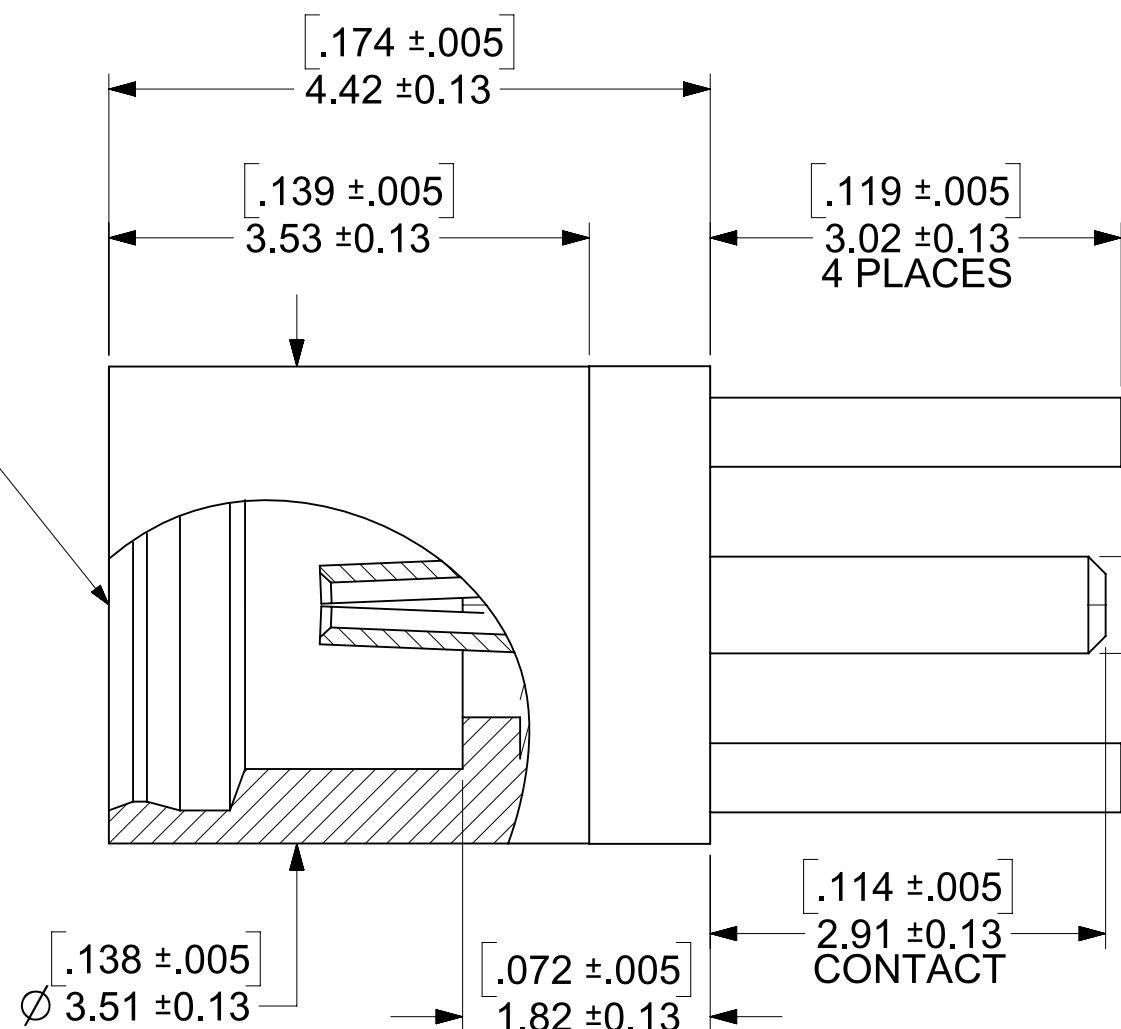
NOTE
PART # 73415-1473 IS

NON-MAGNETIC

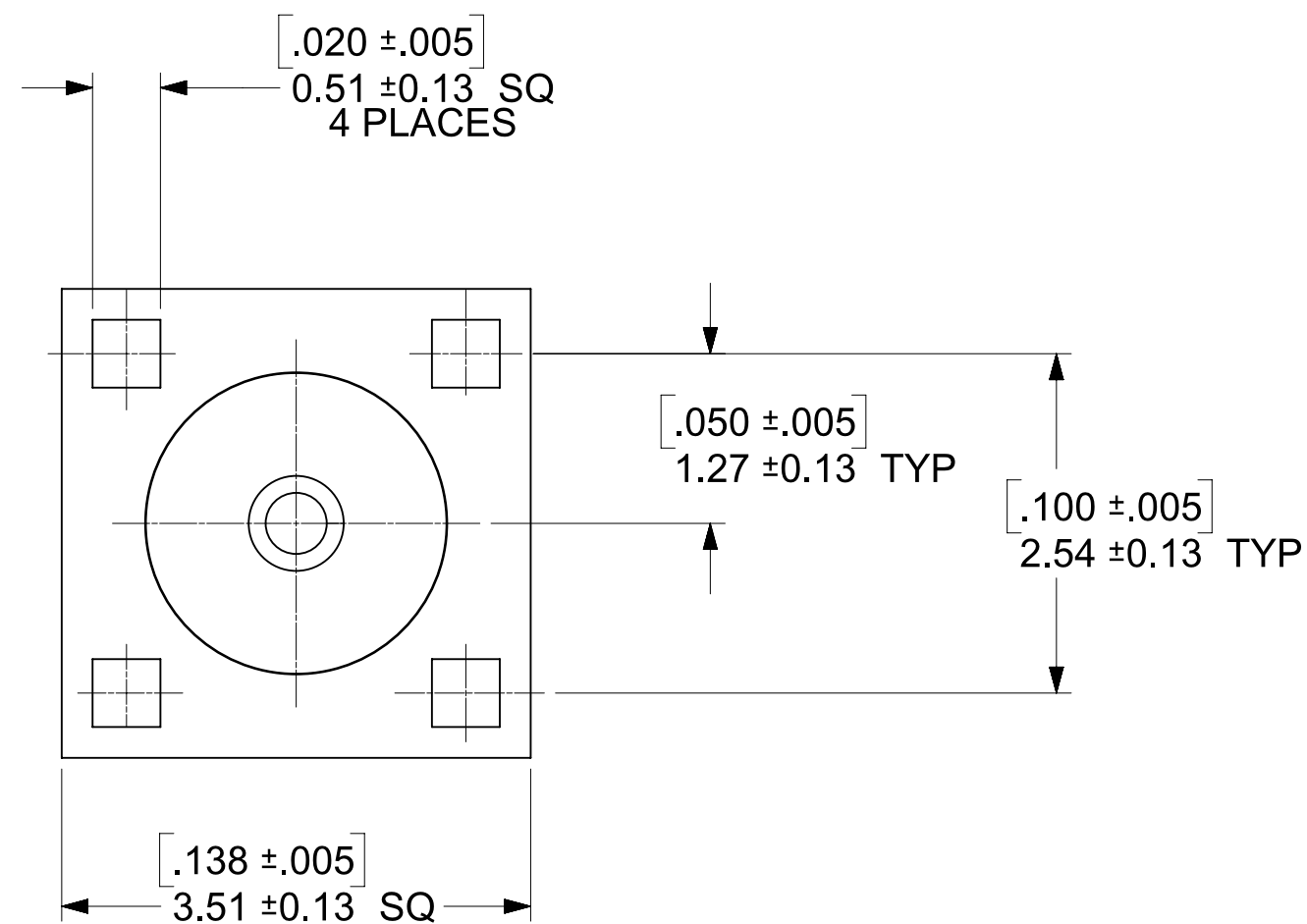


MMCX JACK
INTERFACE

Ø 0.84 ±0.05
.033 ±.002
5 PLACES



.028 ±.005
Ø 0.71 ±0.13



73414-0990	P/N 73415-1471 , TAPE AND REEL WITHOUT KAPTON TAPE (SEE 89542-0450 DRAWING)	BRASS/GOLD 1u" (PER COMMERCIAL REQUIRMENT)	GOLD 30u"
73415-1477	TRAY	BRASS/GOLD 1u" (PER COMMERCIAL REQUIRMENT)	GOLD 1u"
73415-1476	TRAY (1.00 MM LEG LENGTHS)	BRASS/GOLD 1u" (PER COMMERCIAL REQUIRMENT)	GOLD 30u"
73415-1475	P/N 73415-1471 , TAPE AND REEL WITH KAPTON TAPE (SEE 89542-0440 DRAWING)	BRASS/GOLD 1u" (PER COMMERCIAL REQUIRMENT)	GOLD 30u"
73415-1474	TRAY	BRASS/GOLD 1u" (PER COMMERCIAL REQUIRMENT)	GOLD 30u"
73415-1473	BAG (SEE 89542-0103 DRAWING)	BeCu/GOLD 10u" (NON MAGNETIC)	GOLD 30u"
73415-1472	P/N 73415-1471, ONE PER BAG	BRASS/GOLD 1u" (PER COMMERCIAL REQUIRMENT)	GOLD 30u"
73415-1471	BAG (SEE 89542-0102 DRAWING)	BRASS/GOLD 1u" (PER COMMERCIAL REQUIRMENT)	GOLD 30u"
73415-1470	BAG (SEE 89542-0102 DRAWING)	BRASS/ GOLD 30u" (PER MILITARY REQUIRMENT)	GOLD 50u"
PART NO.	PACKAGING	MATERIAL/PLATING (BODY)	PLATING (CENTER CONTACT)

CECC 22 340	INTERFACE
PS-89675-1920	ELECTRO/MECH PER.
SPECIFICATION	DESCRIPTION

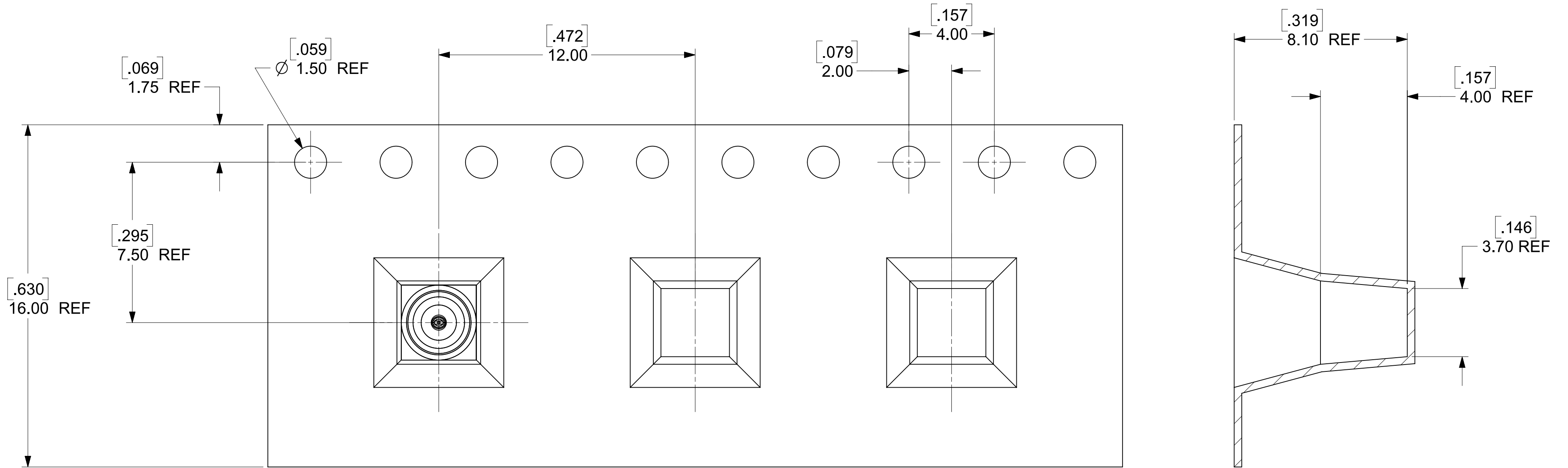
THIS DRAWING CONTAINS INFORMATION THAT IS PROPRIETARY TO MOLEX ELECTRONIC TECHNOLOGIES, LLC AND SHOULD NOT BE USED WITHOUT WRITTEN PERMISSION									
SYMBOLS		DIMENSION UNITS	SCALE	CURRENT REV DESC:					
▽ = 0	0	MM/INCH	NTS	EWR-14517-B ADDED 73414-0990 PART NO					
▽ = 0	0	GENERAL TOLERANCES (UNLESS SPECIFIED)			EC NO: 675460				
▽ = 0	0	ANGULAR TOL ± 2.0°			DRWN: JSU18 2021/08/19				
▽ = 0	0	4 PLACES ±			CHK'D: YCHENG 2021/08/31				
▽ = 0	0	3 PLACES ±			APPR: YCHENG 2021/08/31				
▽ = 0	0	2 PLACES ±			INITIAL REVISION:				
▽ = 0	0	1 PLACE ±			DRWN: RFC_PLMIMP 2017/12/28				
▽ = 0	0	0 PLACES ±			APPR: JWIENER 2007/01/09				
▽ = 0	0	DRAFT WHERE APPLICABLE MUST REMAIN WITHIN DIMENSIONS		THIRD ANGLE PROJECTION	DRAWING	SERIES	MATERIAL NUMBER		
▽ = 0	0				C-SIZE	73415	CUSTOMER		SHEET NUMBER
							GENERAL MARKET		1 OF 3

MMCX JACK, PCB MOUNT
50 OHMS MMCX-J/PCB

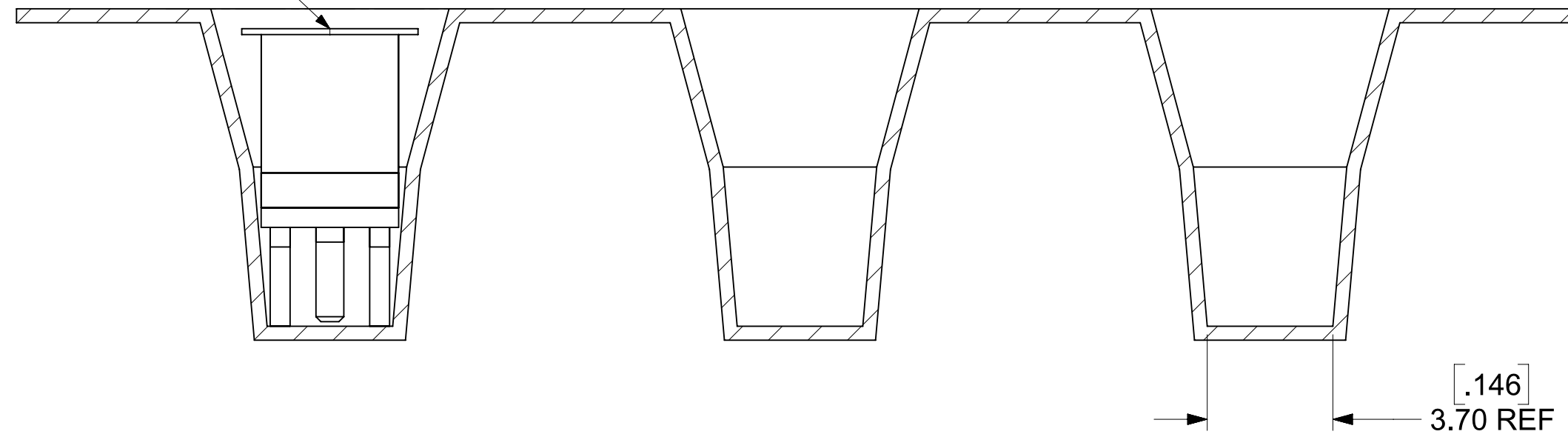
PRODUCT CUSTOMER DRAWING

DOCUMENT NUMBER	DOC TYPE	DOC PART	REVISION
SD-73415-147	PSD	001	C5

NOTE
DIMENSIONS ARE PROVIDED FOR REFERENCE ONLY



KAPTON



(FOR 73415-1475)

THIS DRAWING CONTAINS INFORMATION THAT IS PROPRIETARY TO MOLEX ELECTRONIC TECHNOLOGIES, LLC AND SHOULD NOT BE USED WITHOUT WRITTEN PERMISSION									
SYMBOLS		DIMENSION UNITS		SCALE		CURRENT REV DESC:			
▽ = 0	MM/INCH	NTS	EWR-14517-B			molex			
▽ = 0	GENERAL TOLERANCES (UNLESS SPECIFIED)		ADDED 73414-0990 PART NO						
▽ = 0	ANGULAR TOL ± 2.0°		EC NO: 675460			MMCX JACK, PCB MOUNT			
▽ = 0	4 PLACES ±		DRWN: JSU18 2021/08/19			50 OHMS MMCX-J/PCB			
▽ = 0	3 PLACES ±		CHK'D: YCHENG 2021/08/31			PRODUCT CUSTOMER DRAWING			
▽ = 0	2 PLACES ±		APPR: YCHENG 2021/08/31			DOCUMENT NUMBER			
▽ = 0	1 PLACE ±		INITIAL REVISION:			SD-73415-147		DOC TYPE	
▽ = 0	0 PLACES ±		DRWN: RFC_PLMIMP 2017/12/28			PSD		DOC PART	
▽ = 0	DRAFT WHERE APPLICABLE MUST REMAIN WITHIN DIMENSIONS		THIRD ANGLE PROJECTION		DRAWING		SERIES		REVISION
▽ = 0			C-SIZE		73415		MATERIAL NUMBER		SHEET NUMBER
						GENERAL MARKET		2 OF 3	

DOCUMENT STATUS	P1	RELEASE DATE	2021/08/31	04:55:36
-----------------	----	--------------	------------	----------

