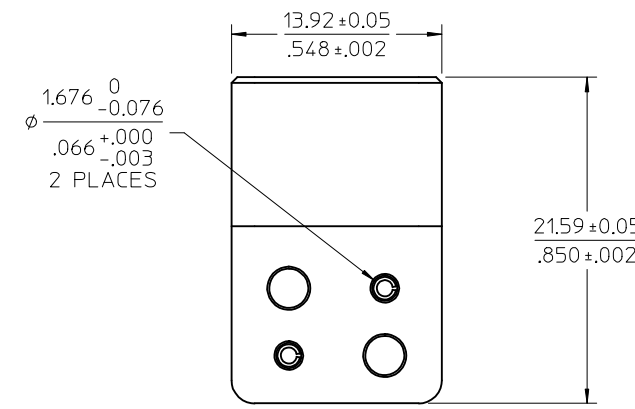
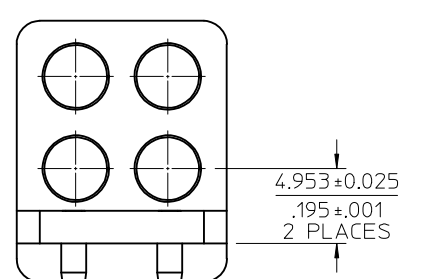
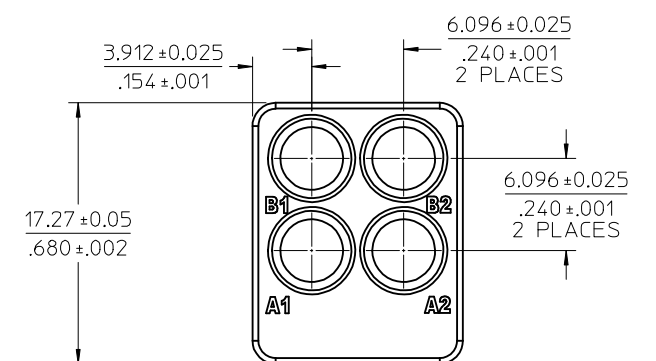
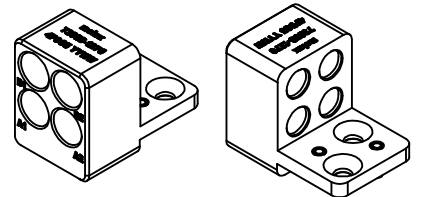
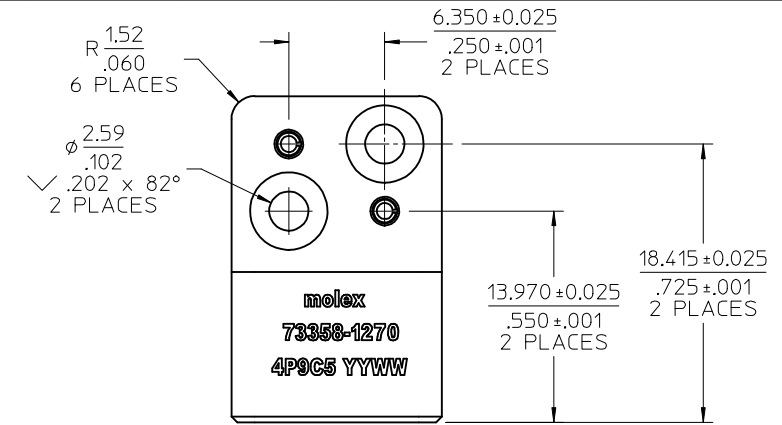
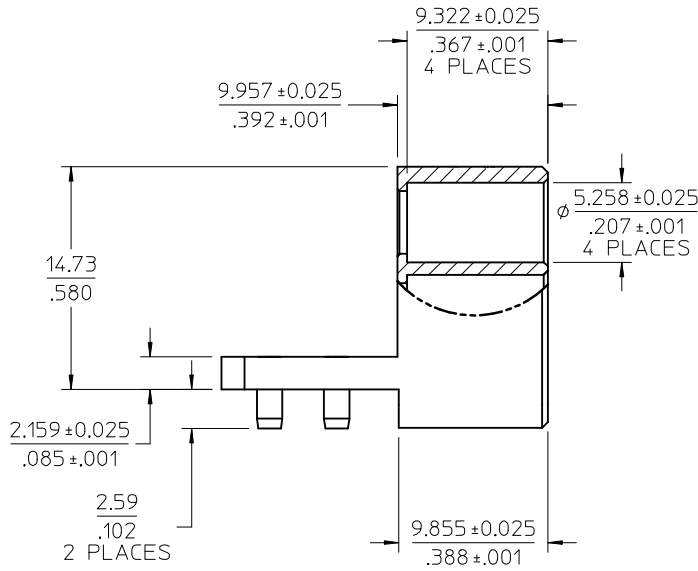


MATERIALS AND FINISHES

HOUSING: ALUMINUM 6061  
PLATED ELECTROLESS NICKEL

ALIGNMENT PINS: STAINLESS STEEL  
PASSIVATED



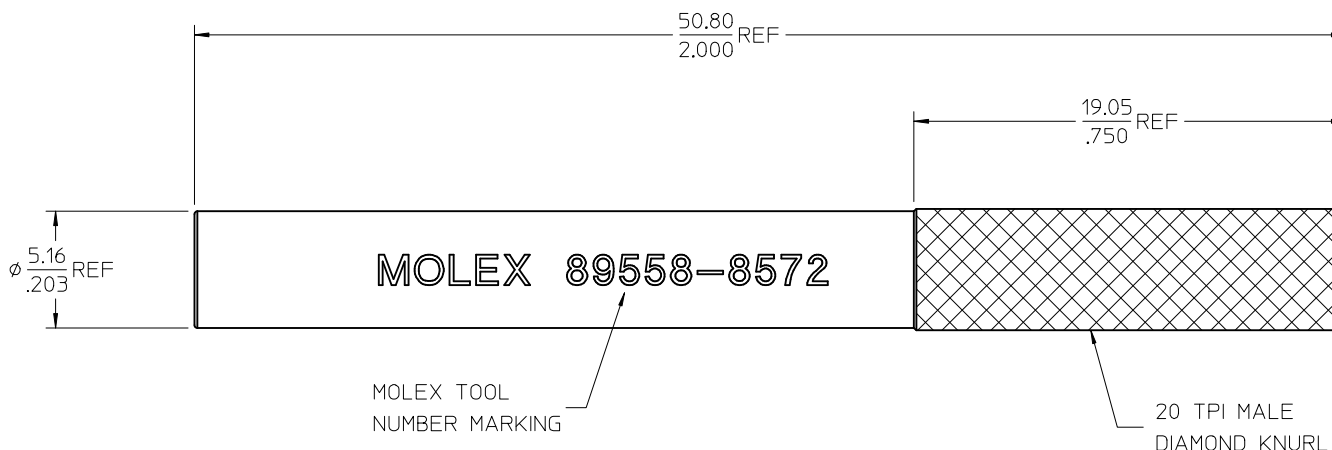
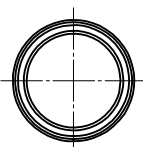
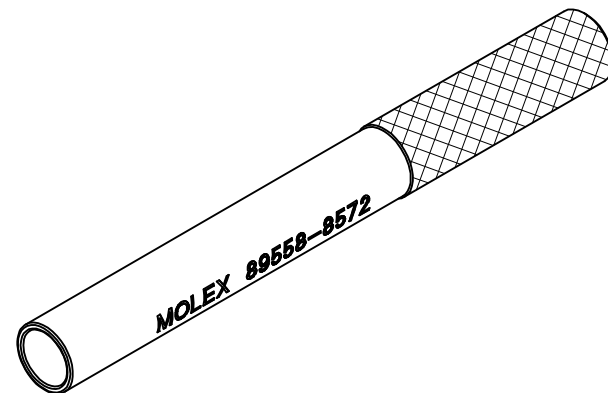
PART # 73358-1270  
SEE PS-89675-470 FOR PCB LAYOUT & PLACEMENT

ANSI/VITA 67.1	NATIONAL STANDARD
PS-89675-470	PRODUCT SPECIFICATION
SPECIFICATION	DESCRIPTION

CHG: UPDATE VIEWS TO SHOW CHANGES TO BLOCK. EC NO: URF2016-0744 DRW:BSHAH 2016/05/02 CHKD:SSS 2016/05/02 APPR:AROBERTSON 2016/05/04 B1	QUALITY SYMBOLS ∇=0 ∇=0 ∇=0	GENERAL TOLERANCES (UNLESS SPECIFIED)		DIMENSION STYLE MM/IN		SCALE	DESIGN UNITS	THIRD ANGLE PROJECTION			
		4 PLACES ± --- ± --- 3 PLACES ± --- ± 0.005 2 PLACES ± 0.13 ± 0.010 1 PLACE ± 0.25 ± --- 0 PLACE ± --- ± ---		DRAWN BY DATE AROBERTSON 2014/01/25 CHECKED BY DATE SSS 2014/01/25 APPROVED BY DATE WSP INK 2014/02/06		TITLE	VITA 67.1 4 PORT MODULE FOR DAUGHTER CARD SMPM-VITA, EWR-5319		SHEET NO. 1 OF 1		
		ANGULAR ± 2 °		MATERIAL NO. 733581270		DOCUMENT NO. SD-73358-127					
		DRAFT WHERE APPLICABLE MUST REMAIN WITHIN DIMENSIONS		SIZE C		THIS DRAWING CONTAINS INFORMATION THAT IS PROPRIETARY TO MOLEX INCORPORATED AND SHOULD NOT BE USED WITHOUT WRITTEN PERMISSION					

MATERIAL AND FINISHES

REMOVAL TOOL: STAINLESS STEEL,  
PASSIVATED



EXTRACTION TOOL FOR  
REMOVING SMPM JACKS  
FROM VITA 67 BLOCKS

PART # 89558-8572

CHG: UPDATED DRAWING EC NO: URF2017-0318 DRAWN: LMEIER 2017/03/06 CHKD: SSS 2017/03/06 APPR: AROBERTSON 2017/03/07 REV: A1	QUALITY SYMBOLS	GENERAL TOLERANCES (UNLESS SPECIFIED)	DIMENSION STYLE	SCALE	DESIGN UNITS	THIRD ANGLE PROJECTION
	▽=0	mm INCH	MM/IN	INCH	INCH	
	▽=0	4 PLACES ± --- ± ---	DRAWN BY DATE	TITLE		
	▽=0	3 PLACES ± --- ± ---	LMEIER 2017/02/24	SMPM JACK VITA EXTRACTION TOOL		
		2 PLACES ± --- ± ---	CHECKED BY DATE			
		1 PLACE ± --- ± ---	SSS 2017/02/27			
		0 PLACE ± --- ± ---	APPROVED BY DATE			
		ANGULAR ± 2 °	AROBERTSON 2017/02/28			
		DRAFT WHERE APPLICABLE MUST REMAIN WITHIN DIMENSIONS	MATERIAL NO.	DOCUMENT NO.		SHEET NO.
			895588572	SD-89558-857		1 OF 1
			THIS DRAWING CONTAINS INFORMATION THAT IS PROPRIETARY TO MOLEX INCORPORATED AND SHOULD NOT BE USED WITHOUT WRITTEN PERMISSION			