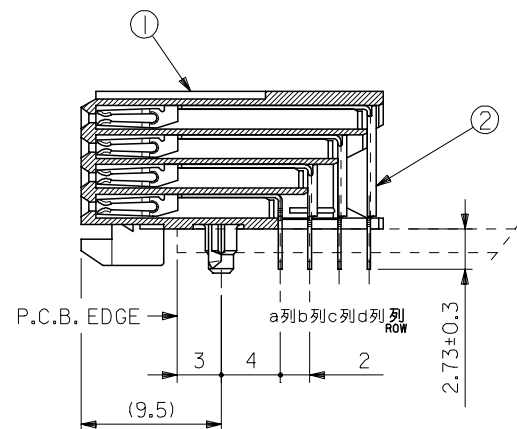
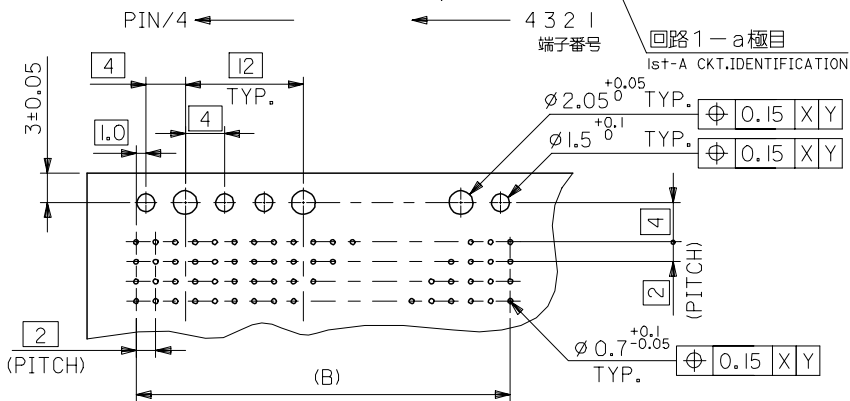
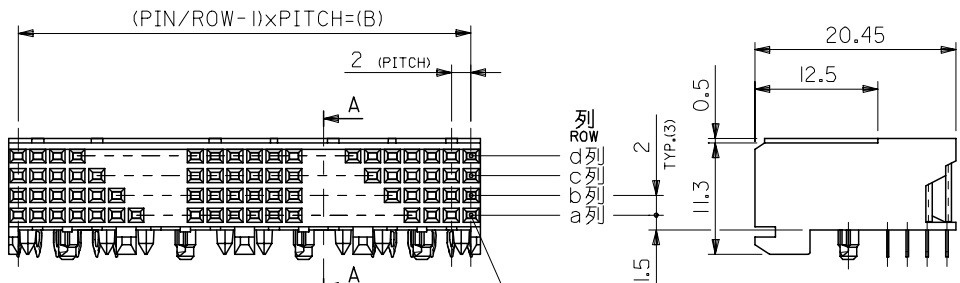


番号 No.	部品 PART NAME	材質 MATERIAL	仕上げ FINISH
①	リセプタクル ハウジング RECEPTACLE HOUSING	液晶ポリマー、ガラス充填、自然色(白)、UL94V-0 LIQUID CRYSTAL POLYMER, GLASS FILLED, NATURAL(WHITE)	—
②	リセプタクル ターミナル RECEPTACLE TERMINAL	リン青銅 PHOSPHOR BRONZE	⚠



A-A
(NON-SCALE)

注記
NOTE :

⚠ターミナル めっき仕様
TERMINAL PLATING

- 金めっき : 0.38μm MIN. (接点部)
GOLD : 0.38 μm MIN. (CONTACT AREA)
- 半田めっき : 1.0μm MIN. (プレスフィット部)
TIN-LEAD : 1.0μm MIN. (PRESS-FIT AREA)
- ニッケルメッキ : 2.0μm MIN. (下地めっき)
NICKEL : 2.0 μm MIN. (UNDER PLATING)

- 2. 推奨基板厚 : t=1.6, 2.4mm
RECOMMENDED P.C.B. THICKNESS : t=1.6, 2.4mm
- 3. 適合プラグ : 53901-***4, 55222-***4, 55089-***4
APPLICABLE PLUG : 53901-***4, 55222-***4, 55089-***4

⚠製品番号及びロットナンバー
MATERIAL NO. & LOT NO.

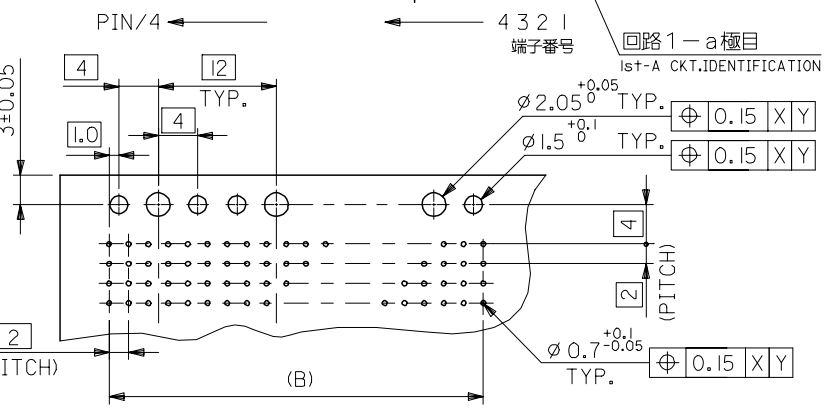
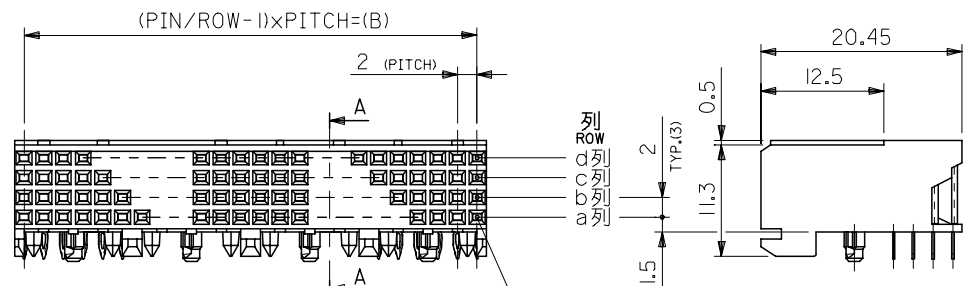
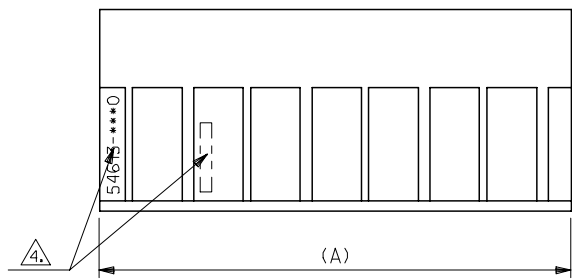
94	95.98	54613-1920	192
58	59.98	54613-1200	120
22	23.98	54613-0480	48
10	11.98	54613-0240	24
B	A	MATERIAL NO.	PIN

基板穴推奨寸法 (部品実装)
RECOMMENDED P.C.B.LAYOUT (COMPONENT SIDE)

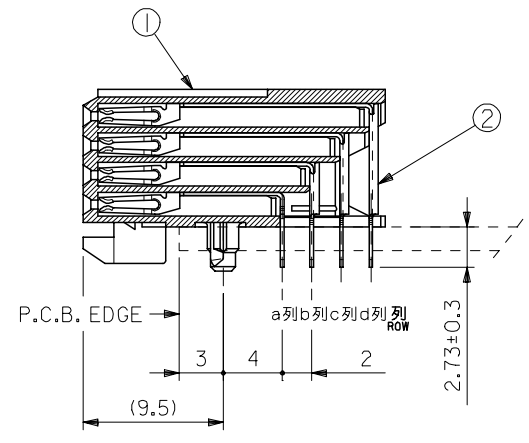
REVISED EC NO: S54613-003/175 DRWN:FYANG05 2007/04/10 CHKD:HANG 2009/09/29 APPR: INCHEH 2007/04/18	QUALITY SYMBOLS ▽=0 △=0	GENERAL TOLERANCES (UNLESS SPECIFIED)	DIMENSION STYLE MM ONLY		SCALE	DESIGN UNITS METRIC	THIRD ANGLE PROJECTION
		4 PLACES ±--- ±--- 3 PLACES ±--- ±--- 2 PLACES ±0.25 ±--- 1 PLACE ±0.25 ±--- ANGULAR ±3°	DRAWN BY DATE S.HOSHIKAWA 1999/08/23 CHECKED BY DATE A.NODA 1999/08/23 APPROVED BY DATE H.IKESUGI 1999/08/23	TITLE MFB B/B(FB+)REC ASSY 4ROWS PRESS-FIT	MOLEX INCORPORATED		DOCUMENT NO. SD-54613-003
D	REV	DRAFT WHERE APPLICABLE MUST REMAIN WITHIN DIMENSIONS		SEE TABLE		THIS DRAWING CONTAINS INFORMATION THAT IS PROPRIETARY TO MOLEX INCORPORATED AND SHOULD NOT BE USED WITHOUT WRITTEN PERMISSION	

10 9 8 7 6 5 4 3 2 1

番号 No.	部品 PART NAME	材質 MATERIAL	仕上げ FINISH
①	リセプタクル ハウジング RECEPTACLE HOUSING	液晶ポリマー、ガラス充填、自然色(白)、UL94V-0 LIQUID CRYSTAL POLYMER, GLASS FILLED, NATURAL(WHITE)	—
②	リセプタクル ターミナル RECEPTACLE TERMINAL	リン青銅 PHOSPHOR BRONZE	△



基板穴推奨寸法 (部品実装)
RECOMMENDED P.C.B.LAYOUT (COMPONENT SIDE)



A-A
(NON-SCALE)

注記
NOTE :

- △ ターミナル めっき仕様
TERMINAL PLATING
金めっき: 0.38µm MIN. (接点部)
GOLD: 0.38 µm MIN. (CONTACT AREA)
半田めっき: 1.0µm MIN. (プレスフィット部)
TIN-LEAD: 1.0µm MIN. (PRESS-FIT AREA)
ニッケルメッキ: 2.0µm MIN. (下地めっき)
NICKEL: 2.0 µm MIN. (UNDER PLATING)
- 2. 推奨基板厚: t=1.6, 2.4mm
RECOMMENDED P.C.B. THICKNESS: t=1.6, 2.4mm
- 3. 適合プラグ: 53901-***4, 55222-***4, 55089-***4
APPLICABLE PLUG: 53901-***4, 55222-***4, 55089-***4
- △ 製品番号及びロットナンバー
MATERIAL NO. & LOT NO.

94	95.98	54613-1920	192
58	59.98	54613-1200	120
22	23.98	54613-0480	48
10	11.98	54613-0240	24
B	A	MATERIAL NO.	PIN

REVISED EC NO.: S54613-003/175 DRAWN: F.YANG05 2007/04/10 CHKD: HWANG 2009/08/29 APPR: INCHEM 2007/04/18	QUALITY SYMBOLS ▽=0 △=0	GENERAL TOLERANCES (UNLESS SPECIFIED)		DIMENSION STYLE MM ONLY		SCALE	DESIGN UNITS METRIC	THIRD ANGLE PROJECTION
		mm	INCH	DRAWN BY	DATE			
REV B		4 PLACES	±---	±---	S.HOSHIKAWA	1999/08/23	MOLEX INCORPORATED	MFB B/B(FB+)REC ASSY 4ROWS PRESS-FIT
		3 PLACES	±---	±---	CHECKED BY	DATE		
		2 PLACES	±0.25	±---	A.NODA	1999/08/23		
		1 PLACE	±0.25	±---	APPROVED BY	DATE		
		ANGULAR ± 3°		H.IKESUGI	1999/08/23	DOCUMENT NO.		
DRAFT WHERE APPLICABLE MUST REMAIN WITHIN DIMENSIONS		SEE TABLE		SD-54613-003		1 OF 1		
THIS DRAWING CONTAINS INFORMATION THAT IS PROPRIETARY TO MOLEX INCORPORATED AND SHOULD NOT BE USED WITHOUT WRITTEN PERMISSION								

9 8 7 6 5 4 3 2 1