

PART NO.	ENG. NO.
02-06-2101	1560-(P901)
02-06-2103	1560-(P901)L
02-06-6101	1560-(561)
02-06-6102	1560-(561)L
02-06-6118	1560-(228)
02-06-6119	1560-(228)L
02-06-6116	1560-(231)
02-06-6112	1560-(231)L
02-06-6100	1560-(550)
02-06-6103	1560-(550)L
02-06-6105	1560-(591)
02-06-6104	1560-(591)L

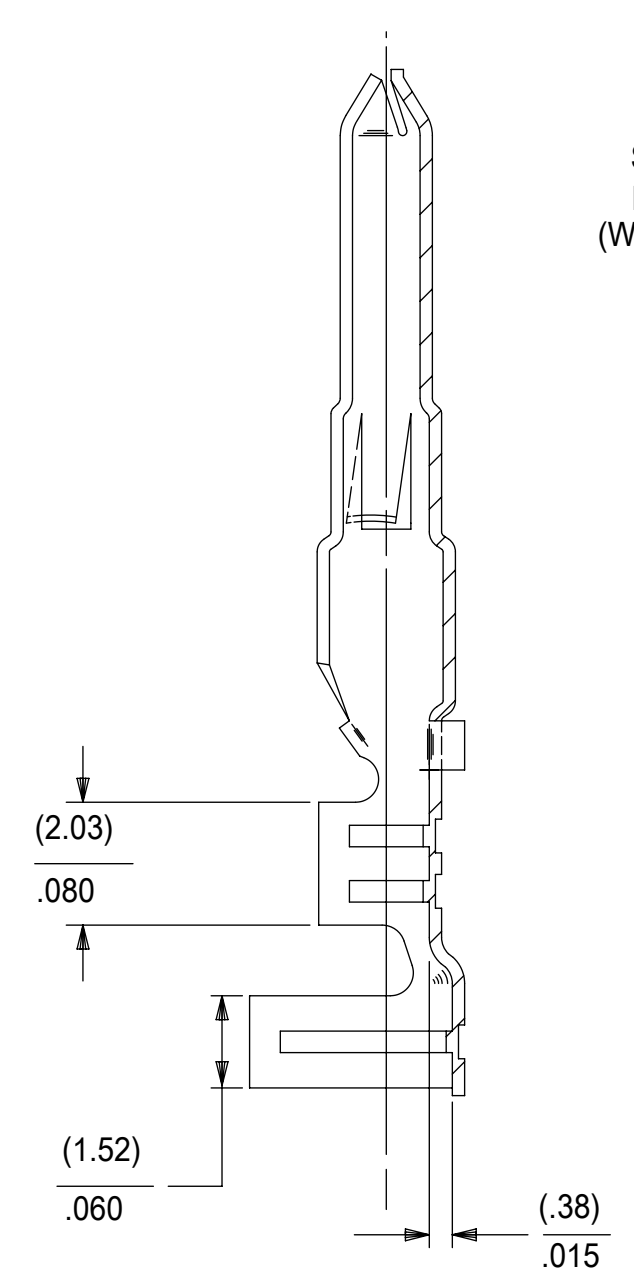
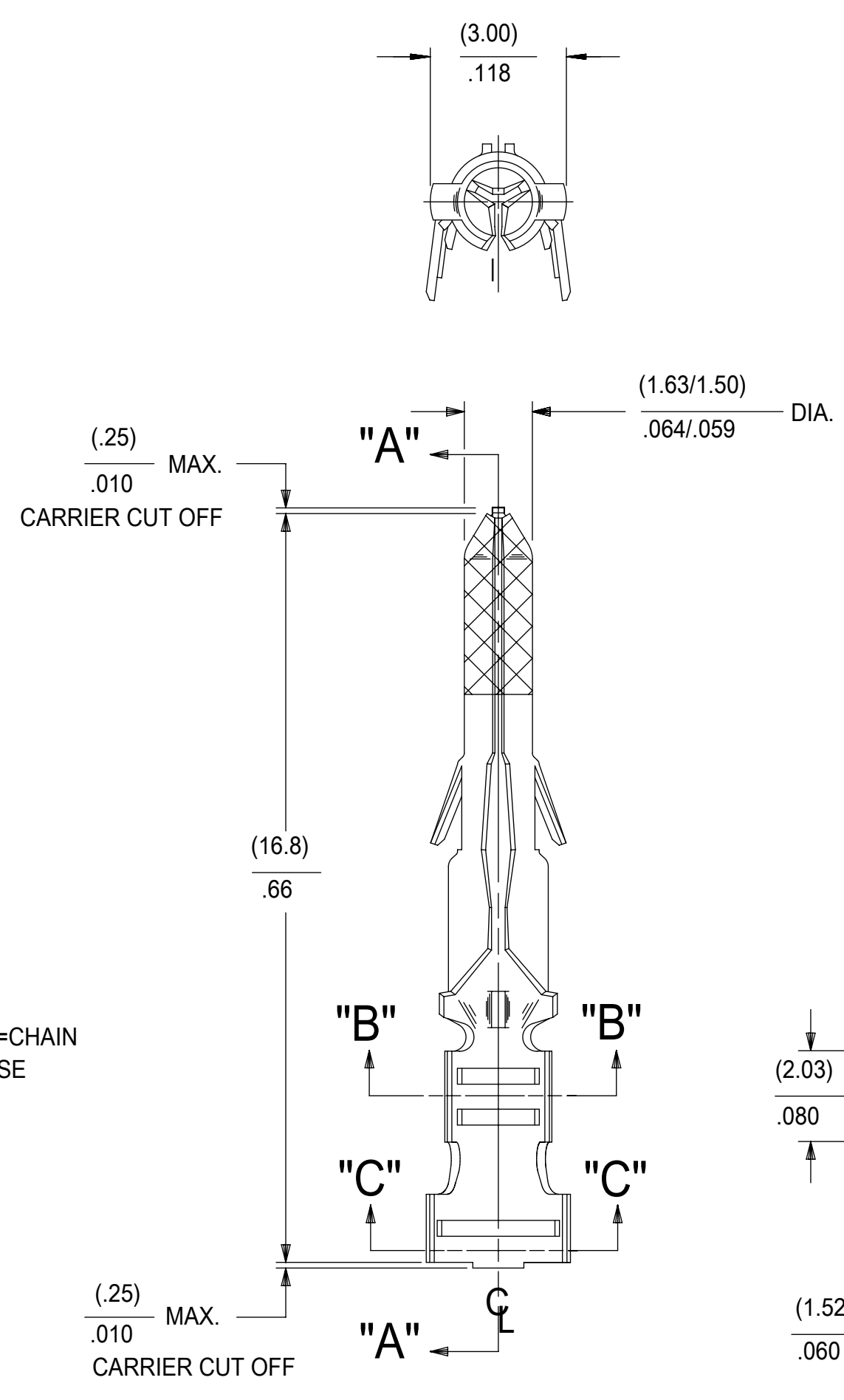
LEGEND

1560-(****)*

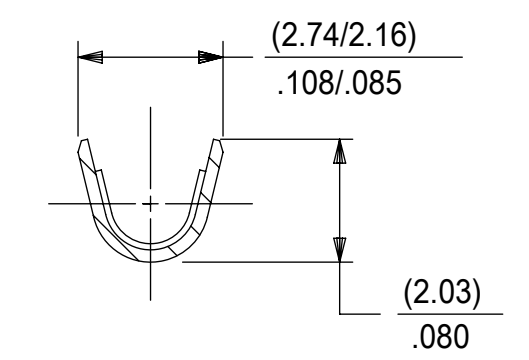
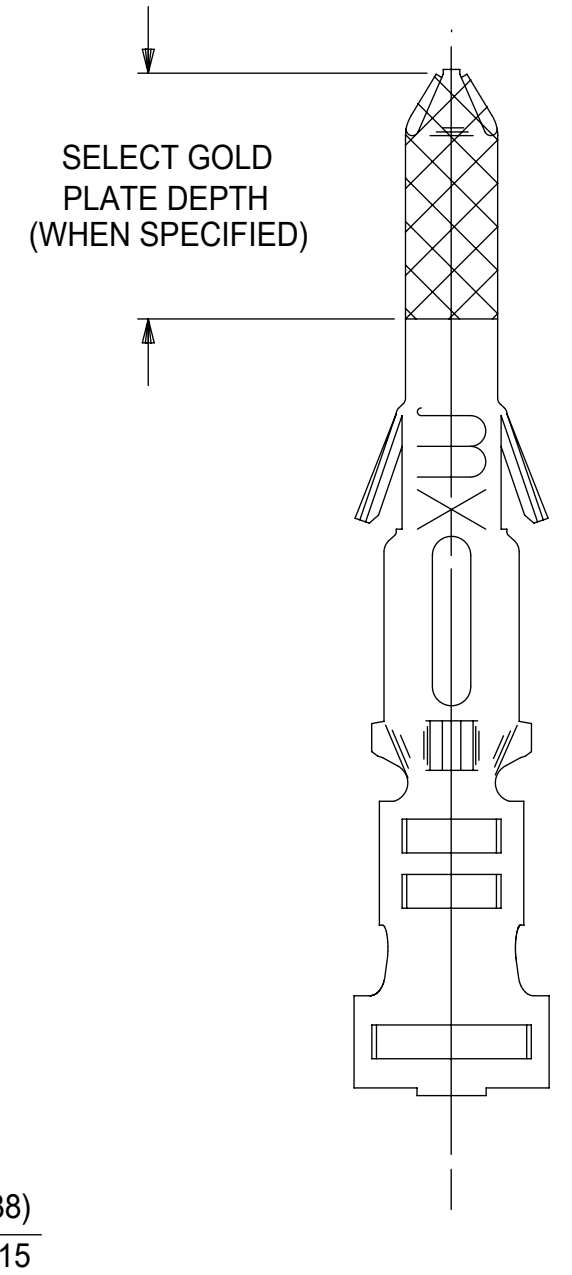
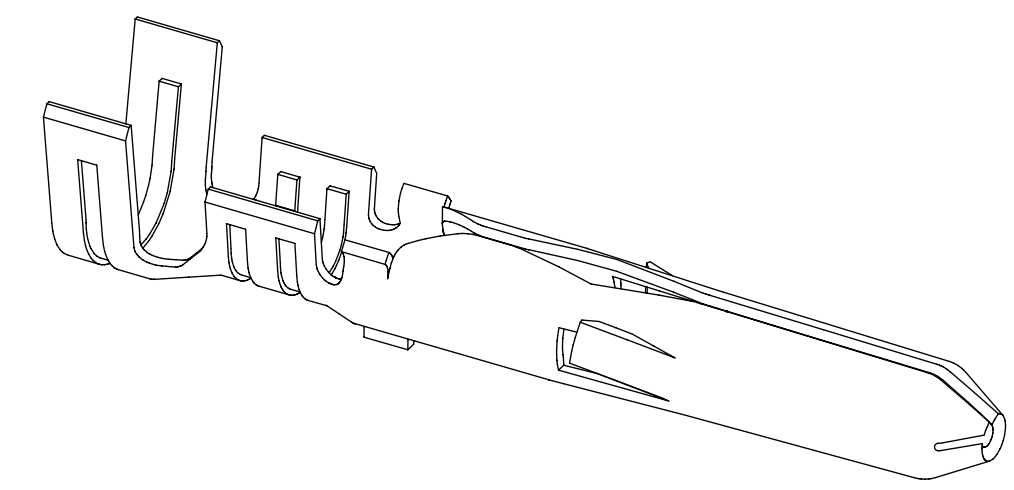
P=PREPLATE
 BLANK=POSTPLATE
 FINISH CODE

FORM
 BLANK=CHAIN
 L=LOOSE

- NOTES:
- MATERIAL: BRASS
 - FINISHES:
 - 901 HOT TIN DIP (.00051)/.000020 MIN.
 - 228 SELECT GOLD PLATE (.00075)/.000030 MIN. IN CONTACT AREA, SELECT TIN (.00250)/.000100 MIN. IN CRIMP AREA OVER (.00125)/.000050 MIN. NICKEL OVERALL.
 - 231 SELECT GOLD PLATE (.00125)/.000050 MIN. IN CONTACT AREA, SELECT TIN (.00250)/.000100 MIN. IN CRIMP AREA OVER (.00125)/.000050 MIN. NICKEL OVERALL.
 - 561 SELECT GOLD PLATE (.00076)/.000030 MIN. IN CONTACT AREA, OVER (.00127)/.000050 MIN. NICKEL OVERALL.
 - 591 SELECT GOLD PLATE (.00127)/.000050 MIN. IN CONTACT AREA, OVER (.00127)/.000050 MIN. NICKEL OVERALL WITH (.000025)/.000010 MAX. GOLD FLASH OVERALL.
 - 550 SELECT GOLD PLATE (.00038)/.000015 MIN. IN CONTACT AREA, OVER (.00076)/.000030 MIN. NICKEL OVERALL WITH (.000025)/.000010 MAX. GOLD FLASH OVERALL.
 - PRODUCT SPECIFICATION: PS-02-06
 - PACKAGING INFORMATION:
 - LOOSE TERMINALS: PK-1190-003
 - CHAIN TERMINALS: 15600000-PK
 - TERMINAL FOR USE WITH (1.57)/.062 DIA. SERIES HOUSINGS AND WILL ACCEPT 18 THRU 24 AWG WIRE.

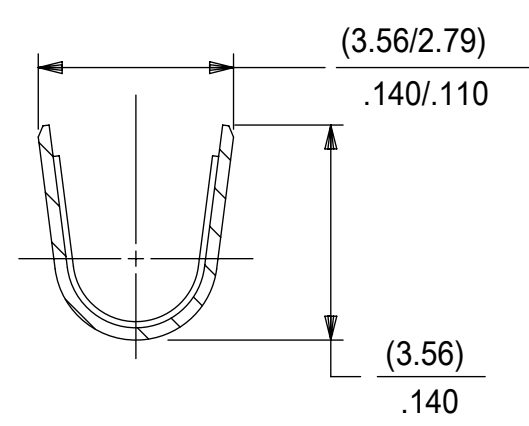


SECT. "A-A"



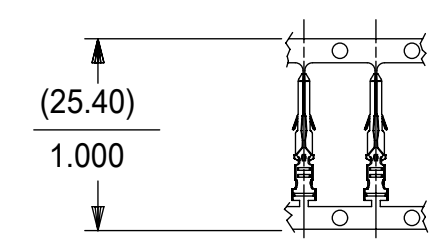
SECT. "B-B"

SCALE:10X



SECT. "C-C"

SCALE:10X



**CARRIER VIEW
ACTUAL SIZE**

THIS DRAWING CONTAINS INFORMATION THAT IS PROPRIETARY TO MOLEX ELECTRONIC TECHNOLOGIES, LLC AND SHOULD NOT BE USED WITHOUT WRITTEN PERMISSION										
SYMBOLS		DIMENSION UNITS		SCALE		CURRENT REV DESC: UPDATE PK SPEC				
= 0		IN/MM		8:1		molex CRIMP TERMINAL, MALE .062 DIA. FOR 18-24 AWG WIRE PRODUCT CUSTOMER DRAWING				
= 0		GENERAL TOLERANCES (UNLESS SPECIFIED)								
= 0		4 PLACES ±		MM INCH		EC NO: 614240 DRWN: JEHRISMAN 2019/03/22 CHK'D: FSMITH 2019/05/10 APPR: FSMITH 2019/05/10				
= 0		3 PLACES ±		± 0.01		INITIAL REVISION: DRWN: GEP 1987/08/19 APPR: RAS 1987/08/19				
= 0		2 PLACES ±		± 0.25 ± 0.014		DOCUMENT NUMBER SD-1560-X				
= 0		1 PLACE ±		± 0.35 ±		DOC TYPE		DOC PART		REVISION
= 0		0 PLACES ±		±		PSD		001		AP1
= 0		ANGULAR TOL ±		± 0.5 °		MATERIAL NUMBER		CUSTOMER		SHEET NUMBER
= 0		DRAFT WHERE APPLICABLE MUST REMAIN WITHIN DIMENSIONS		THIRD ANGLE PROJECTION		SEE TABLE		GENERAL MARKET		1 OF 1
= 0						C-SIZE		1560		

DOCUMENT STATUS	P1	RELEASE DATE	2019/05/10	19:11:18
-----------------	----	--------------	------------	----------