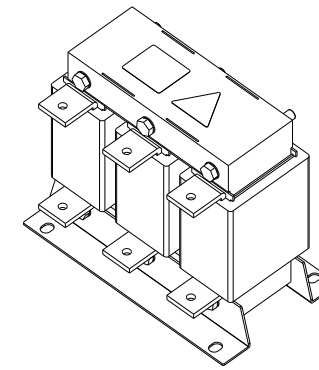
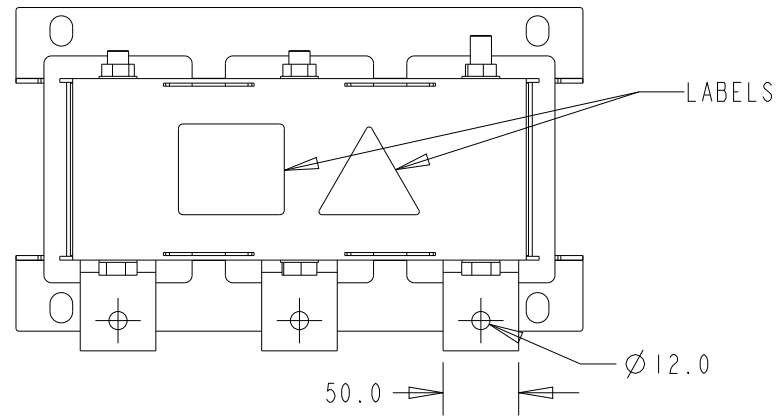


P	LTR	DESCRIPTION	DATE	DWN	APVD
	A	RELEASED FOR PRODUCTION	10FEB2023	DM	CB
	AI	ADDING PRODUCT DATA	07MAR2023	DM	CB



NOMINAL OPERATING VOLTAGE (VAC)	3x 380 to 480
RATED OPERATING VOLTAGE (VAC)	3x 340 to 530
FREQUENCY (Hz)	50 / 60
RATED CURRENT (AMPS)	645.00
OP. TEMP. RANGE @ RATED CURRENT	-45°C to +45°C
RATED POWER @ 400VAC (kW)	400.00
RATED POWER @ 400VAC (HP)	536.61
IMPEDANCE @ 400VAC (%)	4
INDUCTANCE, NOMINAL (mH)	0.046
POWER OVERLOAD, 1 MINUTE EVERY HOUR	1.6
VOLTAGE WITHSTAND 1 MINUTE (kVAC)	2
POLLUTION DEGREE	PD2
COOLING	NATURAL
PROTECTION CLASS	IP00
INSULATION CLASS	N
STORAGE TEMPERATURE RANGE (°C)	-45°C to +100°C
CLIMATIC CATEGORY	45/100/21
DESIGN CORRESPONDING TO	EN61558-2-20, EN60076-6, UL61800-5-1

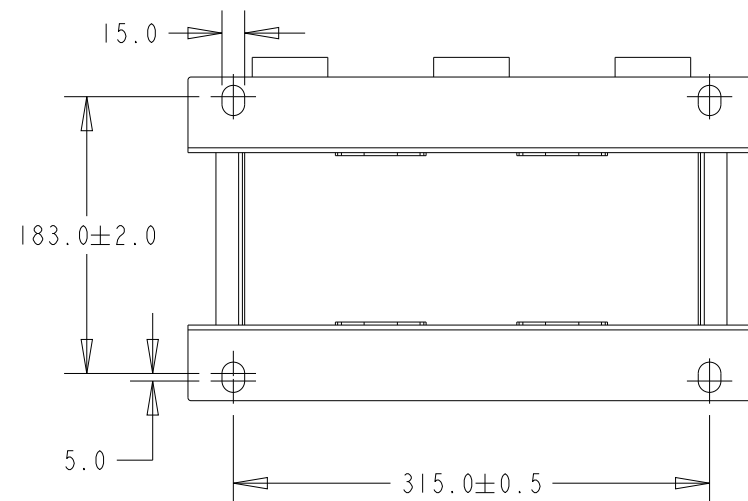
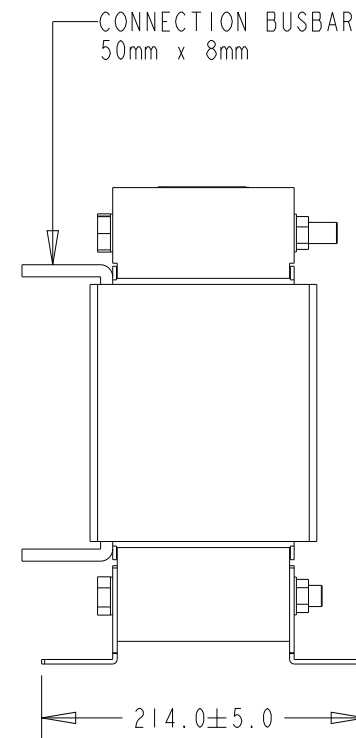
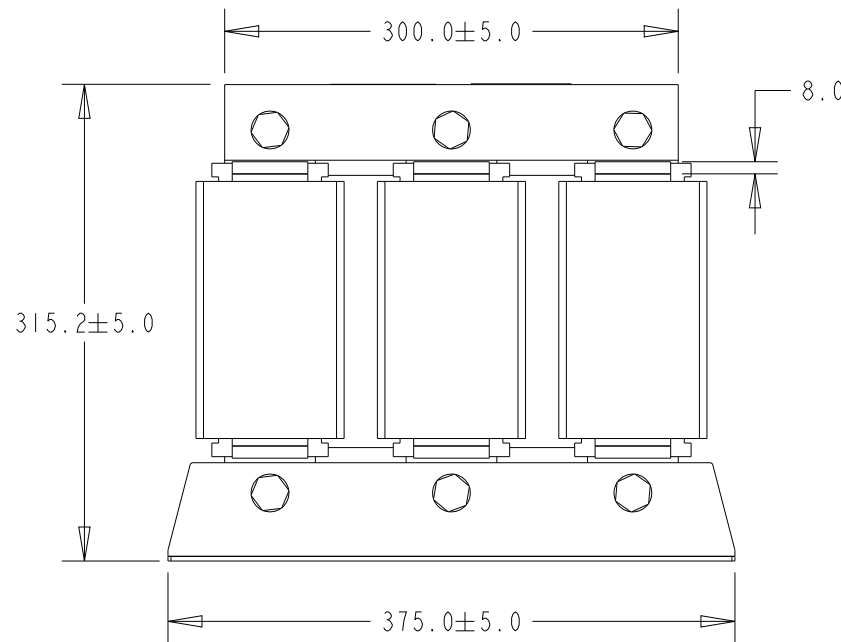
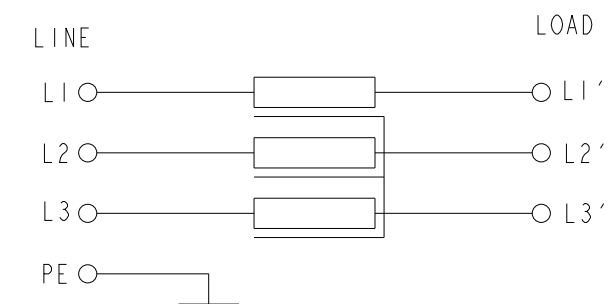
SAFETY ORGANIZATIONS

UL RECOGNIZED AS PER UL 508 HARDWARE CERTIFICATION

DE-RATING FORMULAE FOR OPERATION ABOVE 45°C AMBIENT CONDITIONS:

$$I = I_n \sqrt{\frac{100 - T_{a\ new}}{100 - 45}}$$

TYPICAL CIRCUIT DIAGRAM



RoHS COMPLIANT

THIS DRAWING IS A CONTROLLED DOCUMENT.		DWN	C. BOLLE	07OCT2022		NAME RPO-3-645 THREE LINE REACTOR
DIMENSIONS: mm		CHK	C. BOLLE	07OCT2022		
TOLERANCES UNLESS OTHERWISE SPECIFIED:		APVD	L. RAJ	07OCT2022		
0 PLC ±- 1 PLC ±0.1 2 PLC ±0.01 3 PLC ±0.001 4 PLC ±0.0001 ANGLES ±-		PRODUCT SPEC	-	-		
MATERIAL	-	APPLICATION SPEC	-	-	SIZE	A3
		WEIGHT	-	-	CAGE CODE	00779
		CUSTOMER DRAWING	-	-	DRAWING NO	C-5-2432409-2
					RESTRICTED TO	-
					SCALE	1:5
					SHEET	1 OF 1
					REV	AI