

Riedon Customer Change Notice Form

 Riedon CCR Number:
1948-01

Page Number: 1 of _1_

Submitted By:

 RIEDON, INC.
300 Cypress Avenue
Alhambra, CA 91801

Customer:

Various

Prepared By: Scott Brooker

eMail: scott@riedon.com

Date Prepared: 11/25/2019

Customer Part Number(s) & Description(s):

Various

Riedon Part Number(s) & Description(s):

 PF1262 series
Power Film Resistors

Description of Change:

For PF1262 series, the molding configuration has been altered in order to extract the Power Film resistors more easily. See attached drawing for details.

Reason For Change:

To reduce the failure rate during visual inspection to less than 0.1%.

Effective Date of Change: 1/1/2020

Part Characteristics Affected:

Does not affect form, fit or function.

Supportive Documentation Attached?
 No Yes

Qualification Testing Performed/To be Performed:

None

 Change is Permanent
 Change is for Fixed Quantity
 Change applies to Customer PO

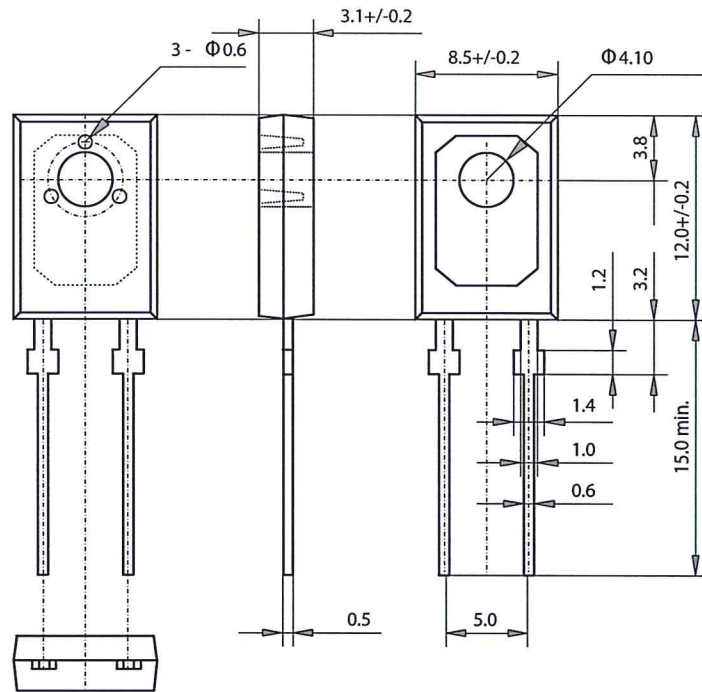
Does the change affect the components ability to comply with REACH or RoHS requirements?
 No

 Yes (if YES, describe in detail):



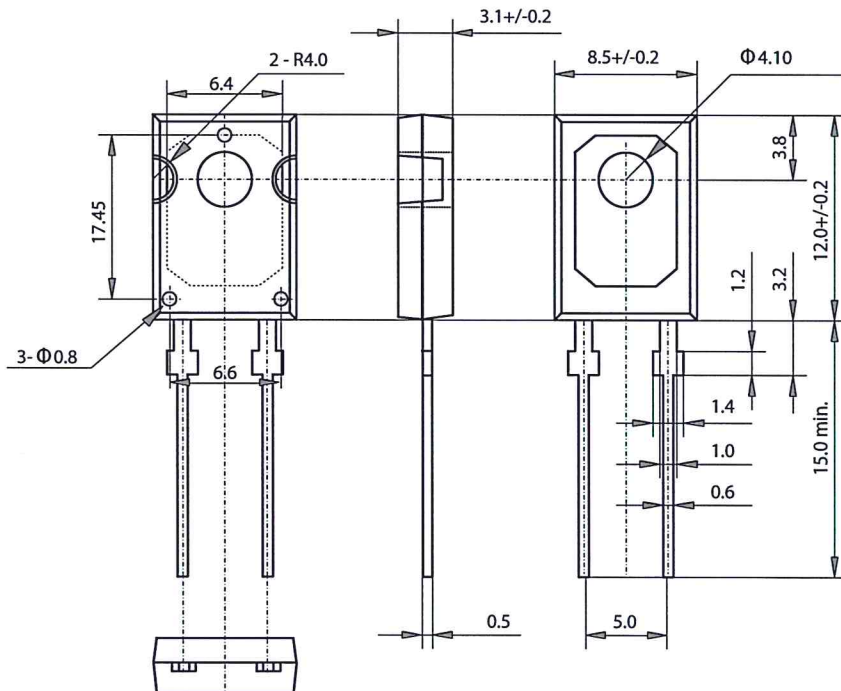
Greg Wood, Quality Manager

Current configuration



All taper angle are 6°

After change



All taper angle are 6°

Mold extrusion pin traces