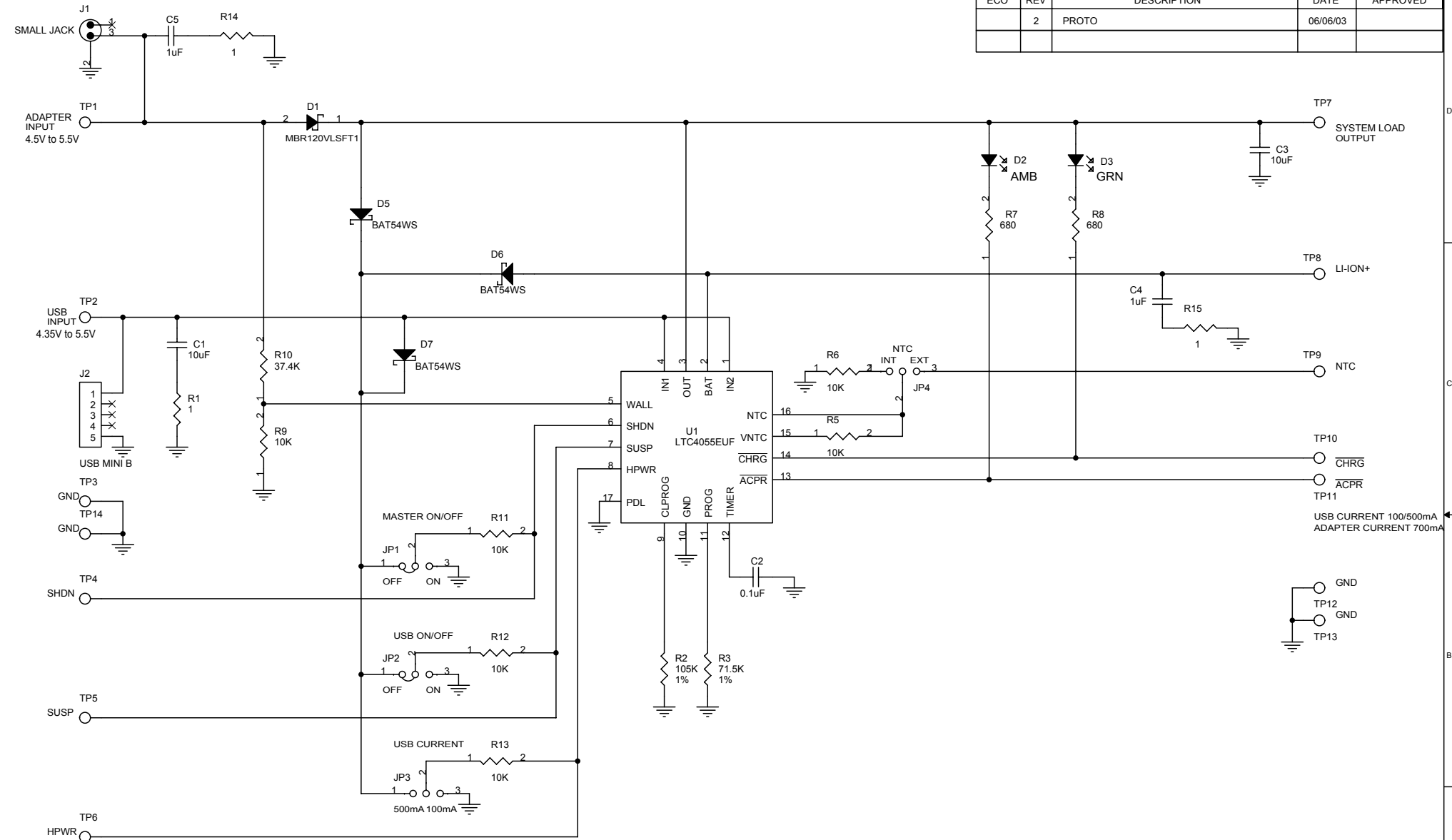

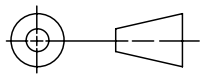


REVISION HISTORY				
ECO	REV	DESCRIPTION	DATE	APPROVED
	2	PROTO	06/06/03	



This circuit is proprietary to Linear Technology and supplied for use with Linear Technology parts.

**Customer Notice:** Linear Technology has made a best effort to design a circuit that meets customer-supplied specifications; however, it remains the customer's responsibility to verify proper and reliable operation in the actual application. Component substitution and printed circuit board layout may significantly affect circuit performance or reliability. Contact Linear Applications Engineering for assistance.

UNLESS OTHERWISE SPECIFIED DIMENSIONS ARE IN INCHES TOLERANCE ON ANGLE --- 2 PLACES --- 3 PLACES --- INTERPRET DIM AND TOL PER ASME Y14.5M -1994		CONTRACT NO.		 <b>LINEAR TECHNOLOGY</b> 1630 McCarthy Blvd. Milpitas, CA 95035 Phone: (408)432-1900 Fax: (408)434-0507											
THIRD ANGLE PROJECTION		<table border="1"> <tr> <th>APPROVALS</th> <th>DATE</th> </tr> <tr> <td>DRAWN MEI</td> <td>04/18/03</td> </tr> <tr> <td>CHECKED</td> <td></td> </tr> <tr> <td>APPROVED</td> <td></td> </tr> <tr> <td>ENGINEER</td> <td></td> </tr> <tr> <td>DESIGNER</td> <td></td> </tr> </table>				APPROVALS	DATE	DRAWN MEI	04/18/03	CHECKED		APPROVED		ENGINEER	
APPROVALS	DATE														
DRAWN MEI	04/18/03														
CHECKED															
APPROVED															
ENGINEER															
DESIGNER															
		TITLE <b>SCH, LTC4055EUF, USB POWER CONTROLLER AND LI-ION CHARGER</b>		SIZE	CAGE CODE										
DO NOT SCALE DRAWING		Wednesday, January 07, 2004		DWG NO <b>DC676A</b>											
		SCALE NONE		FILENAME	FILENAME676A-2.DSN										
		SHEET 1 OF 1		REV	<b>2</b>										