

1

2

3

4

5

6

7

A

A

B

B

C

C

D

D

E

E

F

F

Panel Thickness
Screw L=5,0 For Panel Thickness Under 1.2mm
Screw L=6,0 For Panel Thickness Between 1.2-2,0mm

Recommended Panel Cut-Out

NOTES:

MATERIAL

1. Insulator Material: Black, NYLON+G/F UL94V-0; ②
2. Contact Material: Copper Alloy;
② 3. Plating: 1u" Gold Plating;
4. Waterproof Rate: IP67;
5. Do Mating Test After Glued;

② Electrical

1. Contact resistance: 20mΩ max.
2. Insulation resistance: 500MΩ min. at DC500V
3. Dielectric withstanding voltage: 500V AC
1 minute

4. Rating current: 2A;
5. Durability: 500 cycles;
6. Temperature range: -20°C ~ +85°C;
7. Wave soldering temp.: +220°C 10s max.

9 Pin Male Connector
PCB Pin Layout
Scale 2:1

G

G

H

H

RoHS compliant

Unit:mm

| Scale | Free | | | | | Date | Name | Description: 9 Pin Male Connector | |
|-----------|-------|-----|--------------------------------|------------|-------|----------|------------|-----------------------------------|-----------------|
| TOLERANCE | | | | | | Drawn | 23.12.2008 | JACK | |
| X.X | ±0.25 | | | | | Approved | 12.08.2020 | Segal | ASSMANN WSW-No. |
| X.XX | ±0.10 | | | | | | | | A-DS 09 PP-WP |
| X.XXX | ±0.05 | ③ | Add the screw spec on page 2 | 12.08.2020 | Segal | | | | |
| DIM | TOL | ② | Change dimension and add notes | 19.01.2018 | Segal | | | Drawing-No. | ASS 3247 CO |
| | | ① | Drawn | 23.12.2008 | JACK | | | Customer-No. | rev03 |
| Angle | ±1° | Id. | Modification | Date | Name | | | SHEET | 1 / 2 |
| | | | | | | | | | |

1

2

3

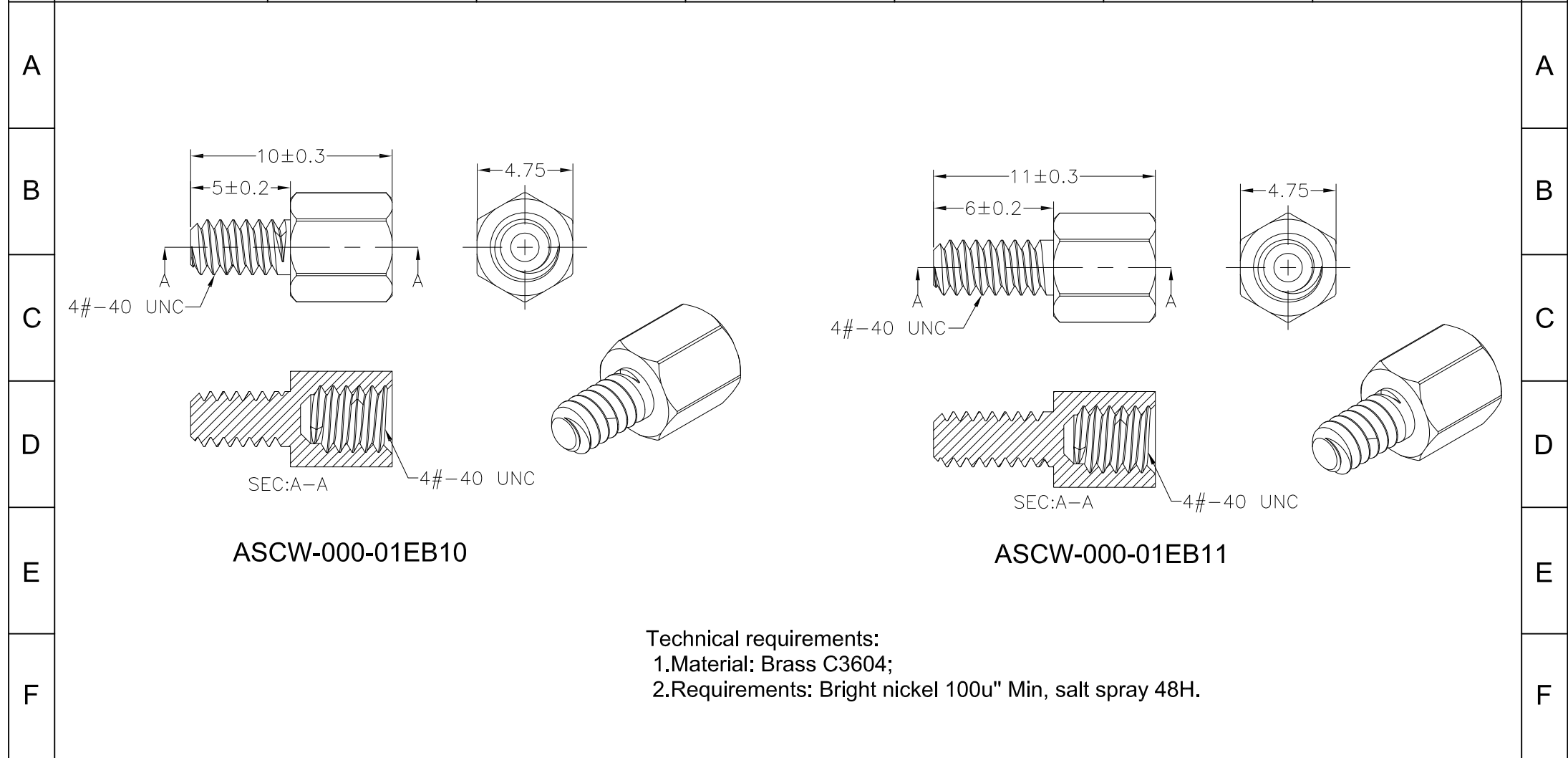
4

5

6

7

| | | | | | | | | |
|--|---|---|---|---|---|---|---|--|
| | 1 | 2 | 3 | 4 | 5 | 6 | 7 | |
|--|---|---|---|---|---|---|---|--|



ASCW-000-01EB10

ASCW-000-01EB11

Technical requirements:
 1.Material: Brass C3604;
 2.Requirements: Bright nickel 100u" Min, salt spray 48H.

| | | | | | | | | | | |
|-----|----------------------------------|-----------|------|--------------------------------|--------------|----------|------------|-----------------------------------|-----------------------------------------|-----------------------------------|
| G | RoHS compliant Unit:mm | Scale | Free | | | | | Date | Name | Description: 9 Pin Male Connector |
| | | TOLERANCE | | | | | Drawn | 23.12.2008 | JACK | |
| .X | | ±0.15 | | | | Approved | 12.08.2020 | Segal | ASSMANN WSW-No. A-DS 09 PP-WP | |
| .XX | | ±0.10 | ③ | Add the screw spec on page 2 | 12.08.2020 | Segal | | | | |
| DIM | | TOL | ② | Change dimension and add notes | 19.01.2018 | Segal | | Drawing-No. ASS 3247 CO | | rev03 |
| .X° | | ±0.5° | ① | Drawn | 23.12.2008 | JACK | | Customer-No. | | SHEET 2 / 2 |
| X° | ±1.0° | | | | | | | | | |
| H | | Angle | TOL | Id. | Modification | Date | Name | | | |

| | | | | | | | | |
|--|---|---|---|---|---|---|---|--|
| | 1 | 2 | 3 | 4 | 5 | 6 | 7 | |
|--|---|---|---|---|---|---|---|--|