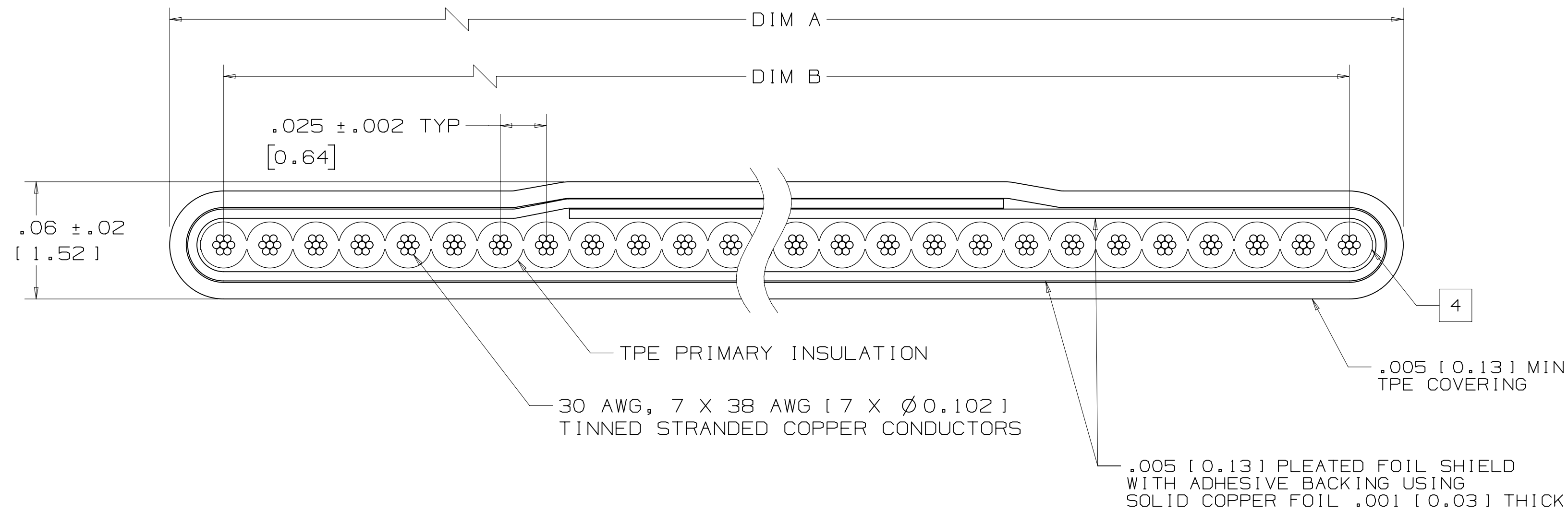


3M™ PLEATED FOIL SHIELDED CABLE, 90202 SERIES
 .025" 30 AWG STRANDED, TPE PRIMARY, THIN TPE COVER

- NOTES
- REGULATORY INFORMATION: FOR REGULATORY INFORMATION ABOUT THIS PRODUCT, VISIT 3m.com/regs OR CONTACT YOUR 3M REPRESENTATIVE.
 UL FILE NO: E118773, POWER LIMITED CIRCUIT CABLE: CL2
 - CAN BE USED WITH IDC MASS TERMINATION CONNECTORS.
 - PLEATED COPPER FOIL PROVIDES FLEXIBILITY AND 35db AVERAGE SHIELDING EFFECTIVENESS.
 - BLUE MARKING ON ONE EDGE OF PRIMARY CABLE DESIGNATES WIRE #1.



ORDERING INFORMATION

90202/XX XX

BLANK = STANDARD
 C = CANADIAN CERTIFIED VERSION

BLANK = STANDARD
 SF = SPLICE FREE

NUMBER OF CONDUCTORS (SEE TABLE)

NOTE:
 AVAILABLE IN STANDARD 100 FT OR 300 FT ROLLS. PLEASE SPECIFY WHEN ORDERING. CONTACT 3M FOR AVAILABILITY OF ADDITIONAL CONDUCTOR COUNTS AND/OR CUSTOM ROLL LENGTHS.

TABLE 1			
NUMBER OF CONDUCTORS	3M PART NUMBER	DIMENSION A	DIMENSION B
20	90202/20	0.54 [13.7]	0.475±.006 [12.06]
26	90202/26	0.69 [17.5]	0.625±.006 [15.88]
36	90202/36	0.94 [23.9]	0.875±.009 [22.23]
40	90202/40	1.04 [26.4]	0.975±.009 [24.77]
50	90202/50	1.29 [32.8]	1.225±.009 [31.11]
60	90202/60	1.54 [39.1]	1.475±.012 [37.47]
68	90202/68	1.74 [44.2]	1.675±.012 [42.55]
80	90202/80	2.04 [51.8]	1.975±.015 [50.17]
100	90202/100	2.54 [64.5]	2.475±.017 [62.87]

PHYSICAL :

INSULATION MATERIAL: THERMOPLASTIC ELASTOMER, TPE
 COLOR: GRAY
 PRIMARY MATERIAL: THERMOPLASTIC ELASTOMER, TPE (TPO TYPE)
 COLOR: GRAY

MARKING
 STANDARD: NONE
 CANADIAN OPTION: SEE "PRINTING ILLUSTRATION" VIEW

CONDUCTORS
 MATERIAL: 30 AWG, 7 X 38 AWG (7 X Ø0.102) TINNED STRANDED COPPER
 SHIELDING: SOLID, PLEATED, COPPER FOIL

ELECTRICAL :

VOLTAGE RATING: USA: 150V CANADA: 150V EU: <50V
 INSULATION RESISTANCE: (PRIMARY) >1 X 10¹⁰Ω/10ft. [3m]

CHARACTERISTIC IMPEDANCE:	UNBALANCED 46.1Ω	BALANCED 88.5Ω
CAPACITANCE:	35.3 pF/ft [116 pF/m]	18.3 pF/ft [60 pF/m]
INDUCTANCE:	0.08μH/ft [0.25μH/m]	0.14μH/ft [0.47μH/m]
PROPAGATION DELAY:	1.63 ns/ft [5.35 ns/m]	1.62 ns/ft [5.31 ns/m]
VELOCITY OF PROPAGATION:	62%	62%

NOTE: UNBALANCED IS MEASURED BETWEEN GROUND-SIGNAL-GROUND CONDUCTORS WITH SHIELD GROUNDED. BALANCED IS MEASURED BETWEEN SIGNAL CONDUCTORS WITHIN A PAIR WITH THE SHIELD FLOATING.

ENVIRONMENTAL :

TEMPERATURE RATING: -20°C TO +105°C
 FLAMMABILITY RATING: USA: VW-1 CANADA: FT1



CANADIAN OPTION
 "PRINTING ILLUSTRATION"

AWM 20297 105C 150V VW1 3M NU

AWM 1A 105C 150V FT1 EU <50V

3M ELECTRONICS MATERIALS SOLUTIONS DIVISION
 INTERCONNECT SOLUTIONS
<http://www.3m.com/interconnect>

3M IS A TRADEMARK OF 3M COMPANY.
 FOR TECHNICAL, SALES OR ORDERING
 INFORMATION CALL 800-225-5373

INCH [MM]			
TOLERANCE - UNLESS NOTED			
	.X	.XX	.XXX
INCH	±.1	±.05	±.010
[] = DIM. FOR REFERENCE ONLY			

DIMENSIONS: INCH [MM]

DESIGN REFERENCE	NEXT ASSEMBLY	REV	ECO	ISSUE DATE AND DESCRIPTION	DRFT	CHKD
				DEC 16, 2021		
DIVISION		DIVISION CODE		DATE		
DO NOT SCALE DRAWING		SCALE 4/1	TOLERANCES EXCEPT AS NOTED			
THIRD ANGLE PROJECTION		INCHES		MILLIMETERS		
INTERPRET PER ASME Y14.5 - 2018		0		0		
MAX SURFACE ROUGHNESS		0.00 ±		0.00 ±		
125 / ALL SURFACES		0.00 ±		0.00 ±		
✓ MARKED ONLY		ANGLES ±1°		ANGLES ±1°		
F 0101550		JAN 07, 2022		LDS TRP		
L SCHMIDT		DEC 16, 2021		MFG DATE		
3M Center St. Paul, MN 55144		© 3M COPYRIGHT 2022		This document and the information it contains are 3M property and may not be reproduced or further distributed without 3M permission, or used or disclosed other than for 3M authorized purposes. All rights reserved.		
TITLE		PLEATED FOIL CABLE 90202 SERIES .025" 30AWG STRANDED				
CAGE NUMBER	SIZE	DRAWING NO.	REV.			
D 125		78-5100-0730-1	F			
MODEL		LISTS		YES X NO		
		SHT		1 OF 2		

DRAWING NUMBER: 78-5100-0730-1 REVISION: F TIME: 1/7/2022 1:17:22 UTC OFFSET: (hrs) 6

8 7 6 5 4 3 2 1
3M™ PLEATED FOIL SHIELDED CABLE, 90202 SERIES
 .025" 30 AWG STRANDED, TPE PRIMARY, THIN TPE COVER

Regulatory: For regulatory information about this product, visit 3M.com/regs or contact your 3M representative.

Technical Information: The technical information, recommendations and other statements contained in this document are based upon tests or experience that 3M believes are reliable, but the accuracy or completeness of such information is not guaranteed.

Product Use: Many factors beyond 3M's control and uniquely within user's control can affect the use and performance of a 3M product in a particular application. Given the variety of factors that can affect the use and performance of a 3M product, user is solely responsible for evaluating the 3M product and determining whether it is fit for a particular purpose and suitable for user's method of application.

Warranty, Limited Remedy, and Disclaimer: Unless an additional warranty is specifically stated on the applicable 3M product packaging or product literature, 3M warrants that each 3M product meets the applicable 3M product specification at the time 3M ships the product. 3M MAKES NO OTHER WARRANTIES OR CONDITIONS, EXPRESS OR IMPLIED, INCLUDING, BUT NOT LIMITED TO, ANY IMPLIED WARRANTY OR CONDITION OF MERCHANTABILITY OR FITNESS FOR A PARTICULAR PURPOSE OR ANY IMPLIED WARRANTY OR CONDITION ARISING OUT OF A COURSE OF DEALING, CUSTOM OR USAGE OR TRADE. If the 3M product does not conform to this warranty, then the sole and exclusive remedy is, at 3M's option, replacement of the 3M product or refund of the purchase price.

Limitation of Liability: Except where prohibited by law, 3M will not be liable for any loss or damage arising from the 3M product, whether direct, indirect, special, incidental or consequential, regardless of the legal theory asserted, including warranty, contract, negligence or strict liability.

3M Business Center
 Electronics Materials Solutions Division
 13011 McCallen Pass, BLDG C
 Austin, TX 78753-5380
 1-800-225-5373
www.3M.com/interconnect

3M ELECTRONICS MATERIALS SOLUTIONS DIVISION
 INTERCONNECT SOLUTIONS
<http://www.3M.com/interconnect>

3M IS A TRADEMARK OF 3M COMPANY.
 FOR TECHNICAL, SALES OR ORDERING
 INFORMATION CALL 800-225-5373

DESIGN REFERENCE		NEXT ASSEMBLY		REV	ECO	ISSUE DATE AND DESCRIPTION		DRFT	CHKD
F 0101550		JAN 07, 2022				LDS TRP			
DO NOT SCALE DRAWING		SCALE	TOLERANCES EXCEPT AS NOTED	3M Center St. Paul, MN 55144		© 3M COPYRIGHT 2022 This document and the information it contains are 3M property and may not be reproduced or further distributed without 3M permission, or used or disclosed other than for 3M authorized purposes. All rights reserved.			
THIRD ANGLE PROJECTION		4 1	INCHES .00 ± .000 ± 2000 ±	3M		PLEATED FOIL CABLE 90202 SERIES .025" 30AWG STRANDED			
INTERPRET PER ASME Y14.5 - 2018			MILLIMETERS 0 ± .00 ± 200 ±	CAGE NUMBER		DRAWING NO.		REV.	
MAX SURFACE ROUGHNESS 125 ☐ ALL SURFACES ☒ MARKED ONLY			ANGLES ±1°	D 78-5100-0730-1		F		SHT 2 OF 2	

78-5100-0730-1
 DRAWING NUMBER
 F
 REVISION
 1/7/2022
 UTC
 Offset (hrs) 6