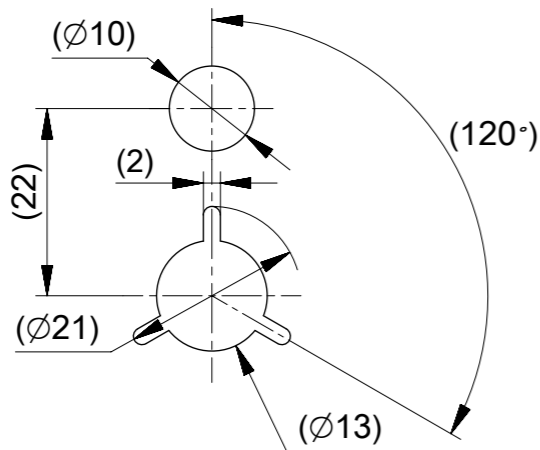


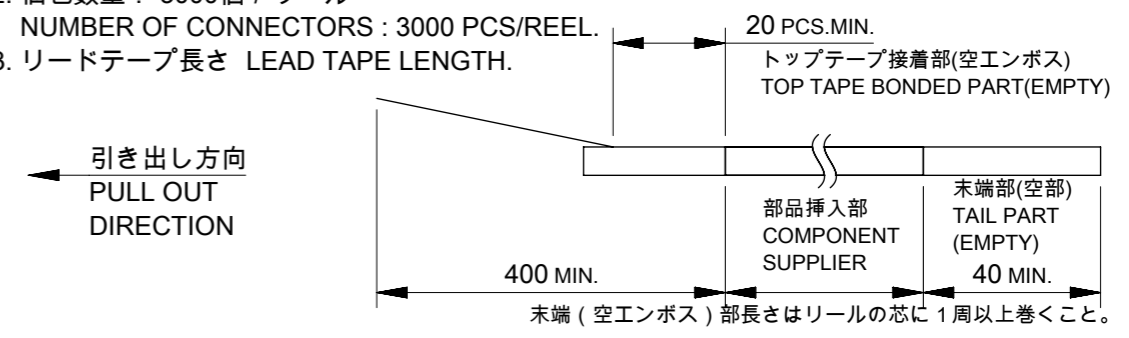
DETAIL 'D'



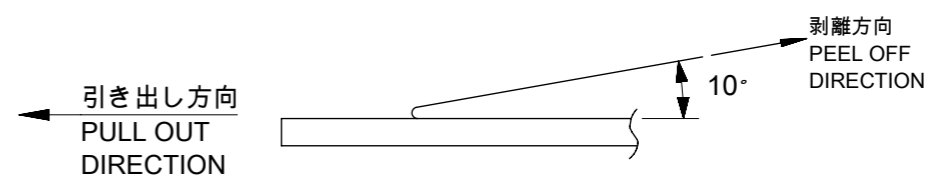
DETAIL "D"

NOTES

- 製品詳細寸法については製品単体図面を参照下さい。
DETAIL DIMENSION, SEE PRODUCT DRAWING.
- 梱包数量 : 3000個 / リール
NUMBER OF CONNECTORS : 3000 PCS/REEL.
- リードテープ長さ LEAD TAPE LENGTH.



- トップテープの剥離強度 : 0.1N~1.3N(10gf~130gf)
(剥離方向は下図参照)
尚、本規格値は出荷時に適用。(但し、輸送時に剥離が発生しないこと。)
PEELING OFF FORCE OF TOP TAPE : 0.1N~1.3N(10gf~130gf)
(PEELING DIRECTION AS SHOWN IN FOLLOWING FIG.)
THIS REQUIREMENT SHOULD BE APPLIED AT SHIPMENT.
PEEL OFF SHOULD NOT BE ALLOWED , DURING TRANSPORTATION.



- 材料 MATERIAL
キャリアテープ (CARRIER TAPE) : ポリスチレン (POLYSTYRENE)
トップテープ (TOP TAPE) : PET , OTHER
リール (REEL) : ポリスチレン (PS) [リサイクル材を含む]

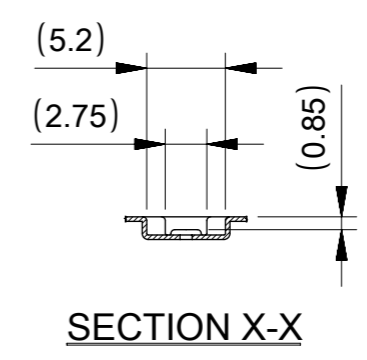
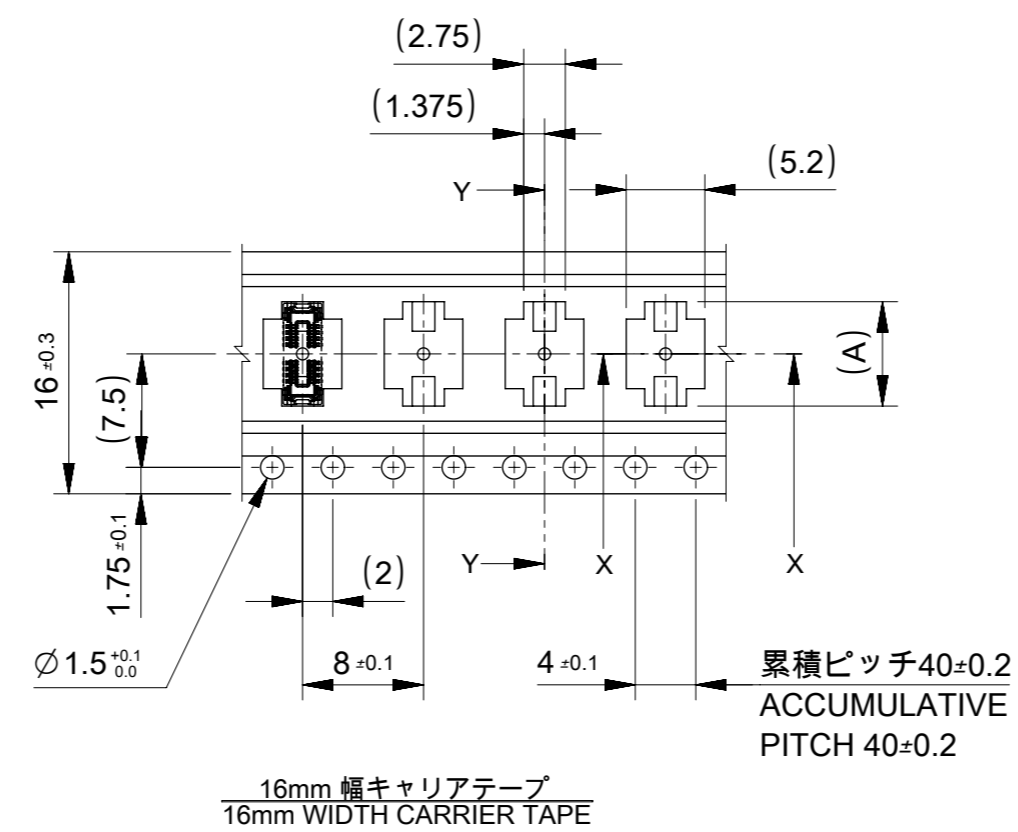
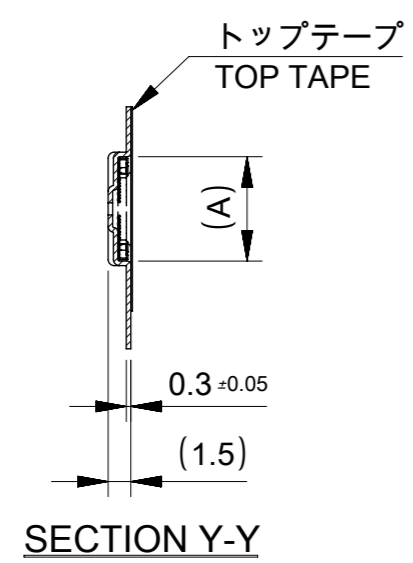
MODEL NO. : 503548**80

THIS DRAWING CONTAINS INFORMATION THAT IS PROPRIETARY TO MOLEX ELECTRONIC TECHNOLOGIES, LLC AND SHOULD NOT BE USED WITHOUT WRITTEN PERMISSION										
EC NO: 118757 DRWN: TMIYAZAKI CHK'D: KTAKAHASHI REV APPR: MSASAO	GENERAL TOLERANCES (UNLESS SPECIFIED)				DIMENSION UNITS	SCALE	 0.4 B-TO-B CONN. HGT=0.7 HI-RETENTION REC ASSY CHECKER TYPE EMBSTP PKG			
	ANGULAR TOL ± °				MM	1:1				
	4 PLACES	±			DRWN BY	DATE				
	3 PLACES	±			TMIYAZAKI	2017/05/25				
	2 PLACES	±			CHK'D BY	DATE				
	1 PLACE	±			KTAKAHASHI	2017/06/08				
0 PLACES	±			APPR BY	DATE	PRODUCT CUSTOMER DRAWING				
DRAFT WHERE APPLICABLE MUST REMAIN WITHIN DIMENSIONS				DRAWING SIZE	THIRD ANGLE PROJECTION	SERIES	MATERIAL NUMBER	CUSTOMER		
				A3		503548	SEE SHEET 2	GENERAL		
						DOCUMENT NUMBER	DOC TYPE	DOC PART	SHEET NUMBER	
						5035480000	PSD	001	1 OF 2	

THIS DOCUMENT HAS BEEN RE-ISSUED BASED ON SD-503548-008, REV 0

RELEASE STATUS	P1	RELEASE DATE	30.06.2017	07:10:58
----------------	----	--------------	------------	----------

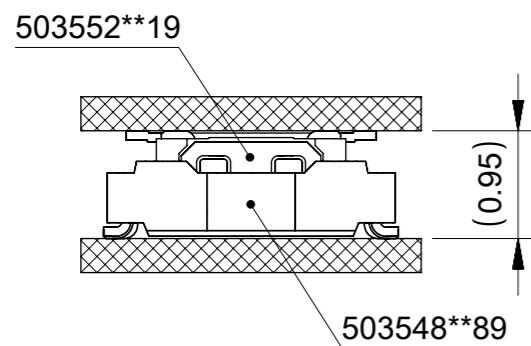
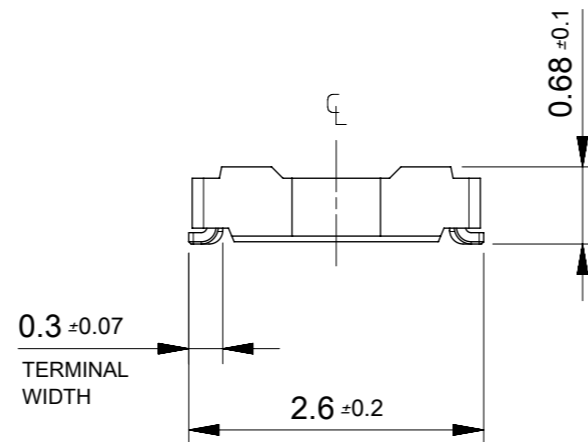
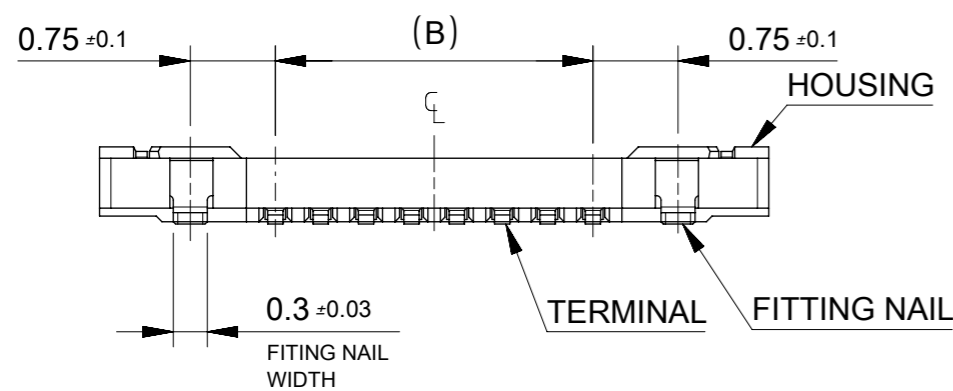
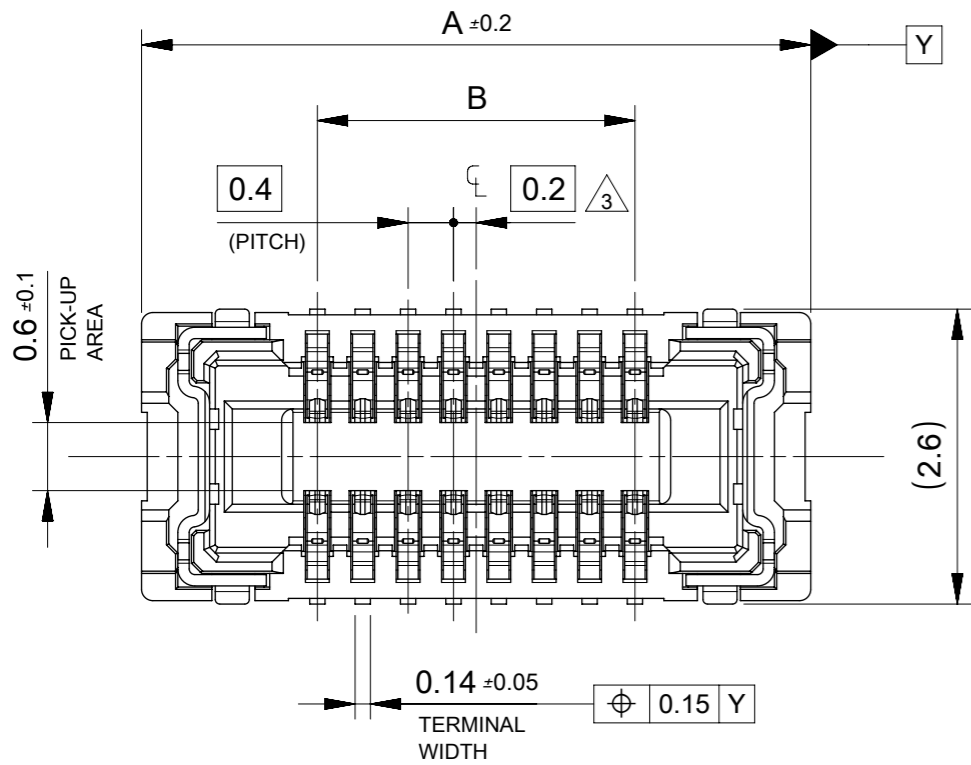
引き出し方向
PULL OUT DIRECTION



16	21.4	17.4	6.5	5035481880	18
			6.1	5035481680	16
			5.7	5035481480	14
			5.3	5035481280	12
			4.1	5035480680	6
キャリアテープ幅 CARRIER TAPE WIDTH			C	B	(A)
			MATERIAL No.		CKT
			MODEL No. : 503548**80		

THIS DRAWING CONTAINS INFORMATION THAT IS PROPRIETARY TO MOLEX ELECTRONIC TECHNOLOGIES, LLC AND SHOULD NOT BE USED WITHOUT WRITTEN PERMISSION

EC NO: 118757 DRWN: TMIYAZAKI CHK'D: KTAKAHASHI APPR: MSASAO	2017/06/29	2017/06/29	2017/06/30	GENERAL TOLERANCES (UNLESS SPECIFIED) ANGULAR TOL ± ° 4 PLACES ± 3 PLACES ± 2 PLACES ± 1 PLACE ± 0 PLACES ± DRAFT WHERE APPLICABLE MUST REMAIN WITHIN DIMENSIONS	DIMENSION UNITS	SCALE			
					MM	1:1			
					DRWN BY	DATE		TMIYAZAKI	2017/05/25
					CHK'D BY	DATE		KTAKAHASHI	2017/06/08
					APPR BY	DATE		MSASAO	2017/06/09
				DRAWING SIZE	THIRD ANGLE PROJECTION		PRODUCT CUSTOMER DRAWING		
				A3			SERIES		
							503548		
							MATERIAL NUMBER		
							SEE CAHRT		
							CUSTOMER		
							GENERAL		
							DOCUMENT NUMBER		
							5035480000		
							DOC TYPE		
							PSD		
							DOC PART		
							001		
							SHEET NUMBER		
							2 OF 2		



MATED DRAWING
(REFERENCE)

注記 NOTES

1. 使用材料 MATERIAL
ハウジング : 液晶ポリマー (LCP) UL94V-0 (黒)
HOUSING: LIQUID CRYSTAL POLYMER UL94V-0 (COLOR:BLACK)
ターミナル : 銅合金
TERMINAL : COPPER ALLOY
金具 : 銅合金
FITTING NAIL : COPPER ALLOY
 2. メッキ仕様 PLATING
ターミナル TERMINAL
金メッキ GOLD
下地メッキ : ニッケルメッキ
UNDER PLATING : NICKEL
※コンタクト部とテール部はニッケルメッキによって分断されている金メッキです。
DIVIDE INTO PARTS THE GOLD PLATING OF THE CONTACT AND THE TAIL PART BY THE NICKEL PLATING.
 - 金具 FITTING NAIL
金メッキ (テール部のみ)
GOLD (ONLY TAIL PART)
下地メッキ : ニッケルメッキ
UNDER PLATING : NICKEL
- △3 (全極数 / 2) = 偶数の場合に適用。
APPLY FOR (CIRCUIT/2)=EVEN.
4. 嵌合相手 : 503552 シリーズ
MATE WITH : 503552 SERIES.
 5. テール平坦度は、0.08 以下
テール及び金具の平坦度は、0.1 以下
TAIL COPLANARITY TO BE 0.08MAXIMUM.
TAIL AND FITTING NAIL COPLANARITY TO BE 0.1MAXIMUM.

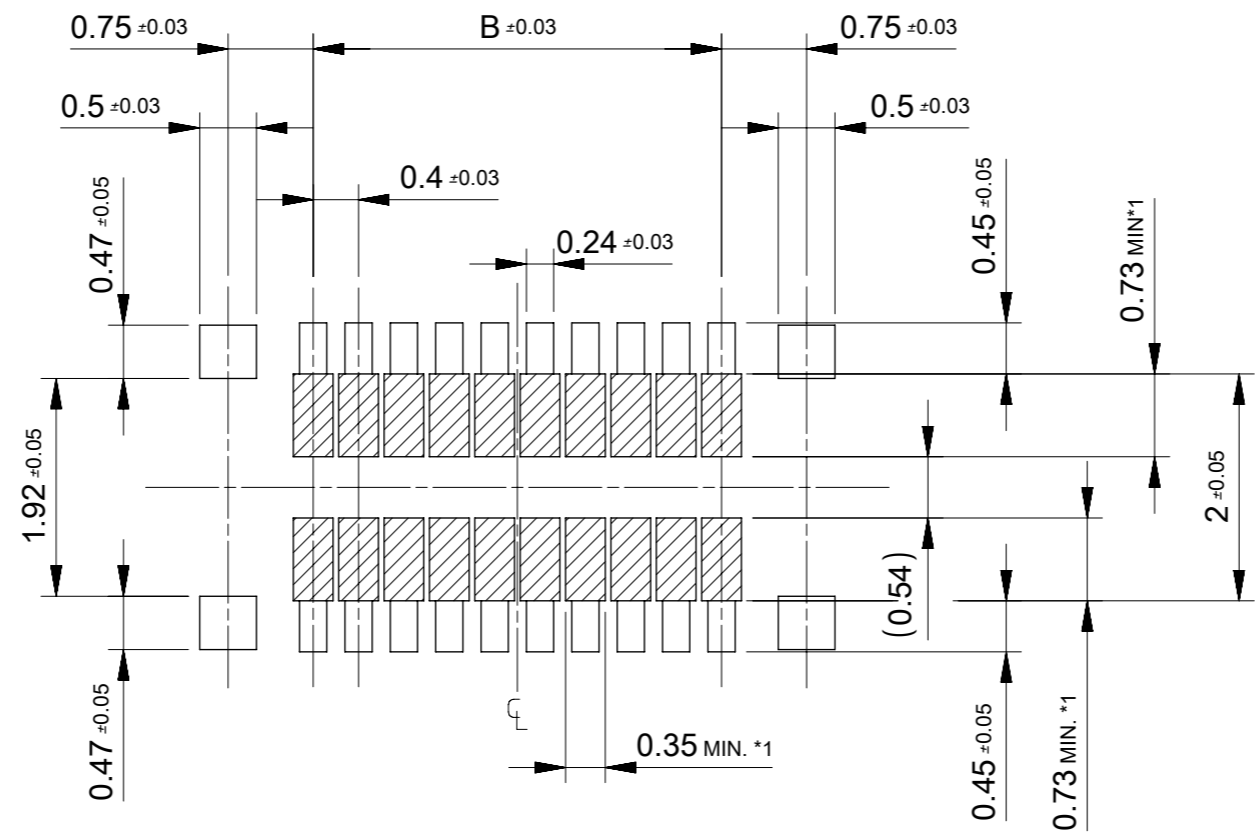
3.2±0.2	6.3	5035481880	18
2.8±0.2	5.9	5035481680	16
2.4±0.2	5.5	5035481480	14
2.0±0.2	5.1	5035481280	12
0.8±0.1	3.9	5035480680	6
B	A	EMBOSSED PACKAGE	極数
		オーダー番号 ORDER No.	CIRCUITS
		CONNECTOR SERIES No. : 503548**89	

THIS DRAWING CONTAINS INFORMATION THAT IS PROPRIETARY TO MOLEX ELECTRONIC TECHNOLOGIES, LLC AND SHOULD NOT BE USED WITHOUT WRITTEN PERMISSION

EC NO: 118757 DRWN: TMIYAZAKI CHK'D: KTAKAHASHI APPR: MSASAO	2017/06/29	2017/06/29	2017/06/30	GENERAL TOLERANCES (UNLESS SPECIFIED) ANGULAR TOL ± 1.0 ° 4 PLACES ± 3 PLACES ± 2 PLACES ± 1 PLACE ± 0 PLACES ±	DIMENSION UNITS	SCALE				
					MM	15:1				
					DRWN BY	DATE		TMIYAZAKI	2017/05/25	
					CHK'D BY	DATE		KTAKAHASHI	2017/06/08	
					APPR BY	DATE		MSASAO	2017/06/09	
				DRAFT WHERE APPLICABLE MUST REMAIN WITHIN DIMENSIONS	DRAWING SIZE	THIRD ANGLE PROJECTION	PRODUCT CUSTOMER DRAWING			
					A3		SERIES	MATERIAL NUMBER	CUSTOMER	
							503548	SEE CHART	GENERAL	
							DOCUMENT NUMBER	DOC TYPE	DOC PART	SHEET NUMBER
							5035481000	PSD	003	1 OF 2

THIS DOCUMENT HAS BEEN RE-ISSUED BASED ON SD-503548-007, REV 0

RELEASE STATUS	P1	RELEASE DATE	30.06.2017	07:11:01
----------------	----	--------------	------------	----------



RECOMMENDED P.W. BOARD
PATTERN LAYOUT

- *1 パターン引き回し、および半田禁止エリア
(当該箇所においては、これと接する回路以外の配線を禁止する。
また、接する回路を配線する場合はレジストを施し、この部分に
半田は無きこととする。)
- *1 PROHIBITED AREA OF PATTERN WIRING AND SOLDER.
(FOR EACH AREA, THE WIRING THAT TOUCHES ON THE SOLDER
CAN BE ATTACHED, THEN COVERED WITH A FILM TO KEEP SOLDER OUT.)

THIS DRAWING CONTAINS INFORMATION THAT IS PROPRIETARY TO MOLEX ELECTRONIC TECHNOLOGIES, LLC AND SHOULD NOT BE USED WITHOUT WRITTEN PERMISSION

EC NO: 118757 DRWN: TMIYAZAKI CHK'D: KTAKAHASHI APPR: MSASAO	2017/06/29	2017/06/29	2017/06/30	GENERAL TOLERANCES (UNLESS SPECIFIED) ANGULAR TOL ± 1.0 ° 4 PLACES ± 3 PLACES ± 2 PLACES ± 1 PLACE ± 0 PLACES ±	DIMENSION UNITS	SCALE				
					MM	15:1				
					DRWN BY	DATE		TMIYAZAKI	2017/05/25	
					CHK'D BY	DATE		KTAKAHASHI	2017/06/08	
					APPR BY	DATE		MSASAO	2017/06/09	
				DRAFT WHERE APPLICABLE MUST REMAIN WITHIN DIMENSIONS	DRAWING SIZE	THIRD ANGLE PROJECTION	0.4 B-TO-B CONN. HGT=0.7 W=2.6 HI-RETENTION REC ASSY CHECKER TYPE			
					A3		PRODUCT CUSTOMER DRAWING			
							SERIES	MATERIAL NUMBER	CUSTOMER	
							503548	SEE SHEET 1	GENERAL	
							DOCUMENT NUMBER	DOC TYPE	DOC PART	SHEET NUMBER
							5035481000	PSD	003	2 OF 2