

HANDLE SHANKS

Glass-fibre reinforced polyamide based (PA) technopolymer, matte finish.

COVERS

- ECA.T: polyamide based (PA) technopolymer, in Elecolors colours, glossy finish, press-fit assembly. Supplied, removable by a screwdriver.

Available also as accessory sold separately (see table).

ANTI-ROTATION TUBE ASSEMBLING SYSTEM

Special expansion-assembly system between the tube and the handle shanks to prevent rotation during operation.

STANDARD EXECUTIONS

Pass-through holes for cylindrical-head screws with hexagon socket, hexagonal-head screws or standard lock nuts.

- **ETH-EP:** aluminium tube, epoxy resin coating, metalflake graphite colour, matte finish. Highly resistant to wear, scratches and chemical agents. Avoid continuous and prolonged contact with boiling water or steam. Side shanks in grey-black colour.

- **ETH-AN:** anodised aluminium tube, natural colour. Side shanks in grey-black colour.

Suggested tightening torque:

- back mounting with plain holes: 8 [Nm]

- front mounting with plain or tapped holes: 15 [Nm].

ERGONOMY AND DESIGN

The large diameter of the tube offers a good and comfortable grip; the antirotation assembly system of the handle shanks to the tube has been developed to offer a firm and secure manoeuvrability during operations.

TECHNICAL DATA

Tensile stress: F2 values reported in the table are the result of breaking tests carried out with the appropriate dynamometric equipment under the test conditions shown in the figure with ambient temperature.

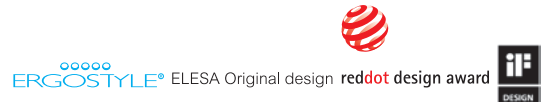
SPECIAL EXECUTIONS ON REQUEST

Different lengths.

ACCESSORIES ON REQUEST

- DS-ETH: ECA.T1-*

- ECA.T: polyamide based (PA) technopolymer closing caps, in Elecolors colours, glossy finish, press-fit assembly.



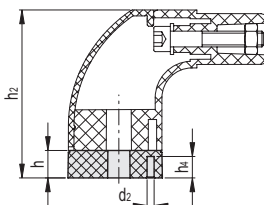
C1 RAL7021	C2 RAL2004	C3 RAL7035	C4 RAL1021	C5 RAL5024	C6 RAL3000	C17 RAL6017
----------------------	----------------------	----------------------	----------------------	----------------------	----------------------	-----------------------

ECA.T

Code	Description	Cover for
29871-*	ECA.T1-*	ETH.28
29872-*	ECA.T2-*	ETH.35

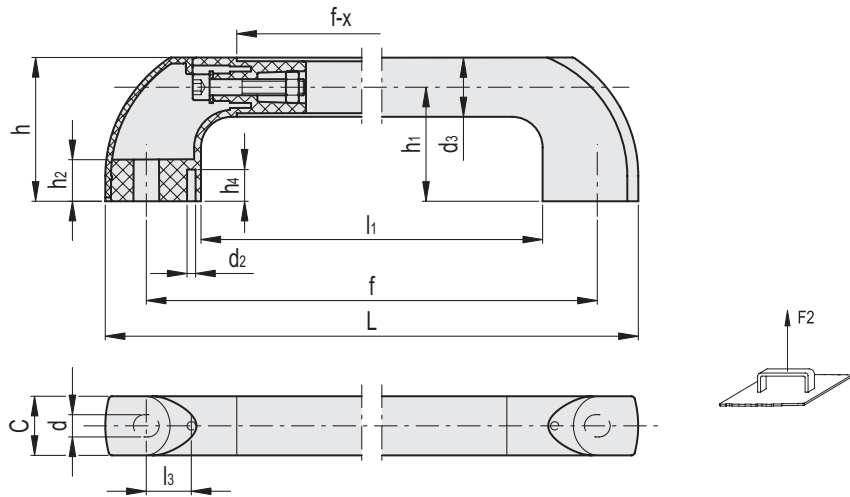
* Complete with colour index (C1, ..., C17).

DS-ETH



Code	Description	d2	h	h2	h4	For handle	⚖️
15251	DS-ETH.35-16	4	16	101.5	12.5	ETH.35	24
15253	DS-ETH.35-32	4	32.5	118	15	ETH.35	45

Conversion Table 1 mm = 0,039 inch			
L		d	
mm	inch	mm	inch
339	13.35	10.5	0.41
357	14.05		
439	17.28		
457	18.00		
539	21.22		
557	21.93		
639	25.16		
657	25.87		
739	29.09		
757	29.80		
1057	41.61		



* Complete with colour index, example: 262151-C2 ETH.28-300-EP-C2

C1	C2	C3	C4	C5	C6	C17
RAL7021	RAL2004	RAL7035	RAL1021	RAL5024	RAL3000	RAL6017

ETH-EP

METRIC

Code	Description	d3	fz1	L	d	h	h1	h2	h4	l1	l3	d2	C	x	F2 [N]*	F2 [N]#	⚖️
262151-*	ETH.28-300-EP-*	27.5	300	339	10.5	68	54	20	15	248	20.3	4	28	86	2400	2800	235
262155-*	ETH.28-400-EP-*	27.5	400	439	10.5	68	54	20	15	348	20.3	4	28	86	2000	2300	268
262161-*	ETH.28-500-EP-*	27.5	500	539	10.5	68	54	20	15	448	20.3	4	28	86	1800	2000	301
262165-*	ETH.28-600-EP-*	27.5	600	639	10.5	68	54	20	15	548	20.3	4	28	86	1200	1500	335
262171-*	ETH.28-700-EP-*	27.5	700	739	10.5	68	54	20	15	648	20.3	4	28	86	900	1200	368
262211-*	ETH.35-300-EP-*	34.5	300	357	10.5	85	67.5	28	15	251	18.5	4	35	91	3000	3100	397
262215-*	ETH.35-400-EP-*	34.5	400	457	10.5	85	67.5	28	15	351	18.5	4	35	91	2700	2800	456
262221-*	ETH.35-500-EP-*	34.5	500	557	10.5	85	67.5	28	15	451	18.5	4	35	91	2500	2600	515
262225-*	ETH.35-600-EP-*	34.5	600	657	10.5	85	67.5	28	15	551	18.5	4	35	91	1900	2100	574
262231-*	ETH.35-700-EP-*	34.5	700	757	10.5	85	67.5	28	15	651	18.5	4	35	91	1900	2100	633
262246-*	ETH.35-1000-EP-*	34.5	1000	1057	10.5	85	67.5	28	15	951	18.5	4	35	91	1200	1400	810

ETH-AN

Code	Description	d3	fz1	L	d	h	h1	h2	h4	l1	l3	d2	C	x	F2 [N]*	F2 [N]#	⚖️
262153-*	ETH.28-300-AN-*	27.5	300	339	10.5	68	54	20	15	248	20.3	4	28	86	2400	2800	235
262157-*	ETH.28-400-AN-*	27.5	400	439	10.5	68	54	20	15	348	20.3	4	28	86	2000	2300	268
262163-*	ETH.28-500-AN-*	27.5	500	539	10.5	68	54	20	15	448	20.3	4	28	86	1800	2000	301
262167-*	ETH.28-600-AN-*	27.5	600	639	10.5	68	54	20	15	548	20.3	4	28	86	1200	1500	335
262173-*	ETH.28-700-AN-*	27.5	700	739	10.5	68	54	20	15	648	20.3	4	28	86	900	1200	368
262213-*	ETH.35-300-AN-*	34.5	300	357	10.5	85	67.5	28	15	251	18.5	4	35	91	3000	3100	397
262217-*	ETH.35-400-AN-*	34.5	400	457	10.5	85	67.5	28	15	351	18.5	4	35	91	2700	2800	456
262223-*	ETH.35-500-AN-*	34.5	500	557	10.5	85	67.5	28	15	451	18.5	4	35	91	2500	2600	515
262227-*	ETH.35-600-AN-*	34.5	600	657	10.5	85	67.5	28	15	551	18.5	4	35	91	1900	2100	574
262233-*	ETH.35-700-AN-*	34.5	700	757	10.5	85	67.5	28	15	651	18.5	4	35	91	1900	2100	633
262248-*	ETH.35-1000-AN-*	34.5	1000	1057	10.5	85	67.5	28	15	951	18.5	4	35	91	1200	1400	810

* Maximum working load

Load at breakage

