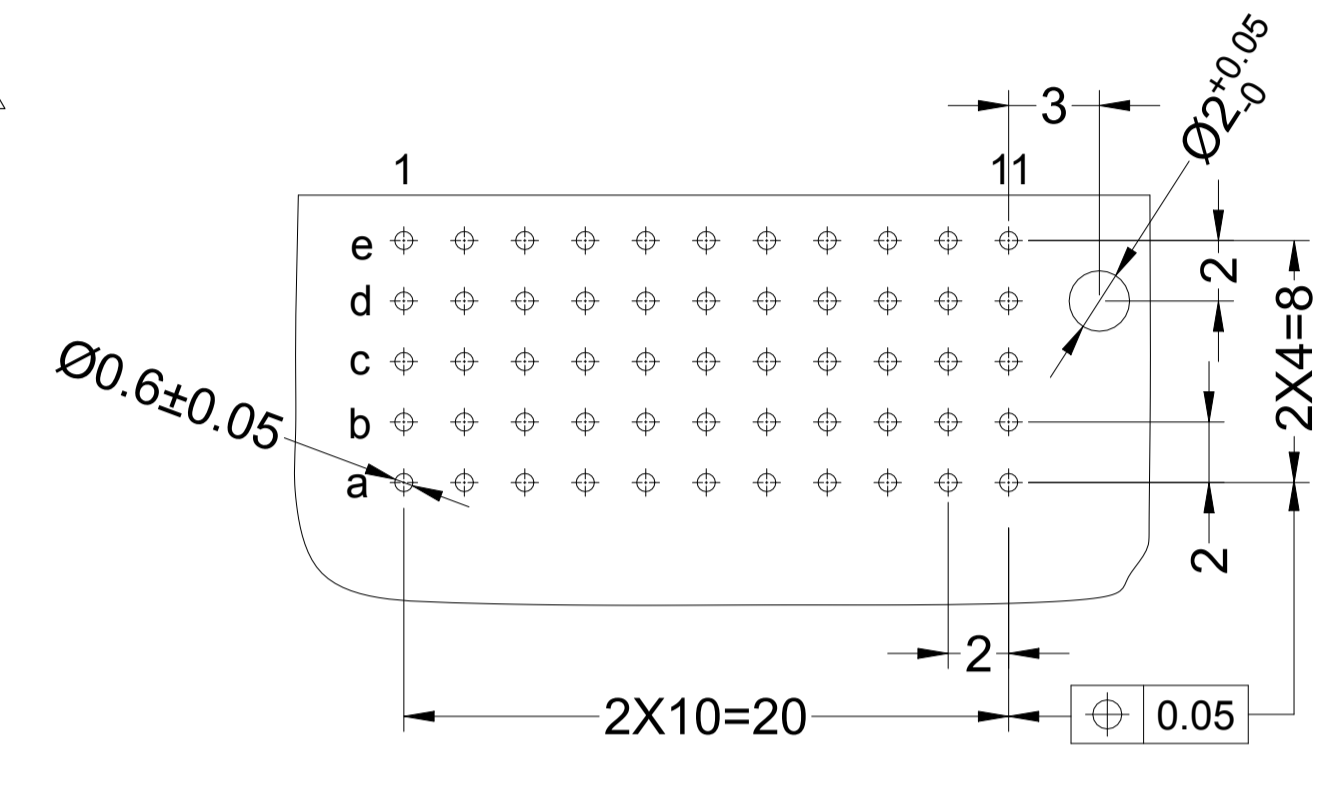
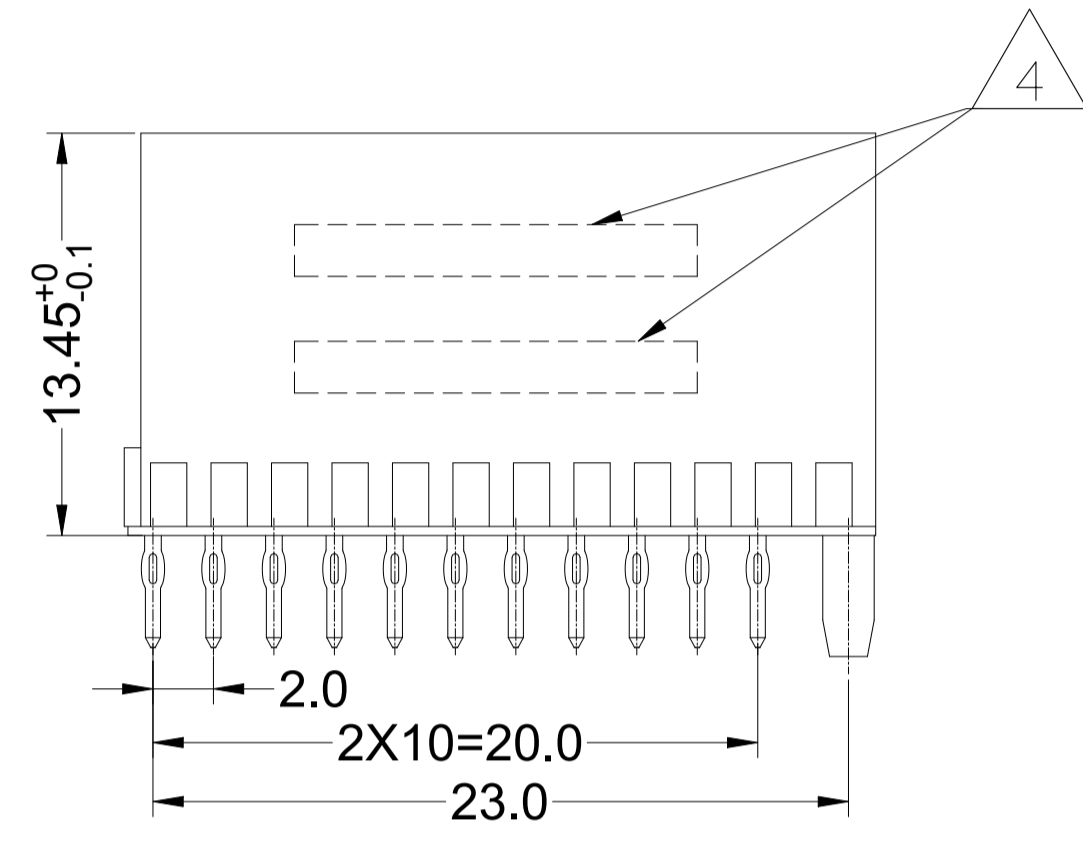
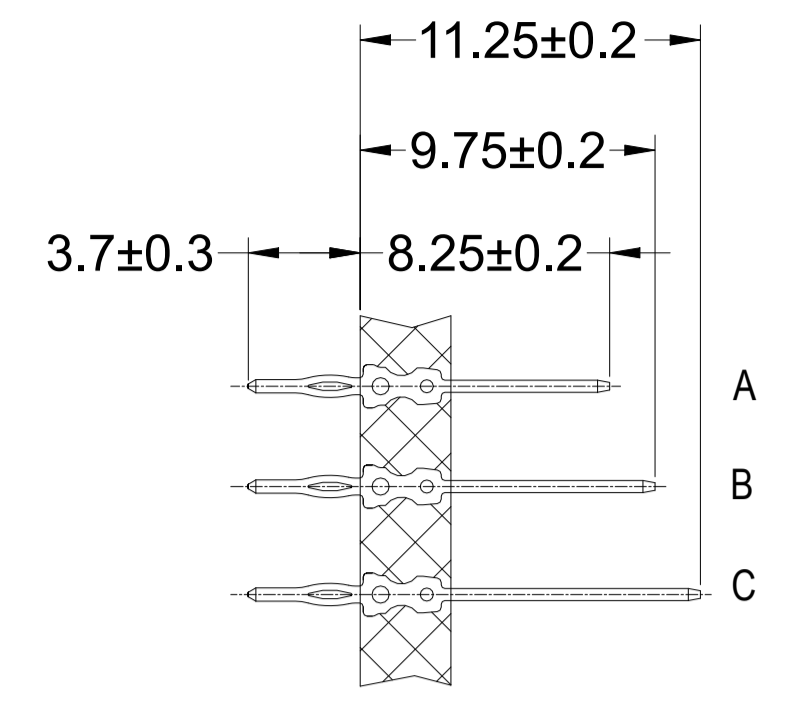
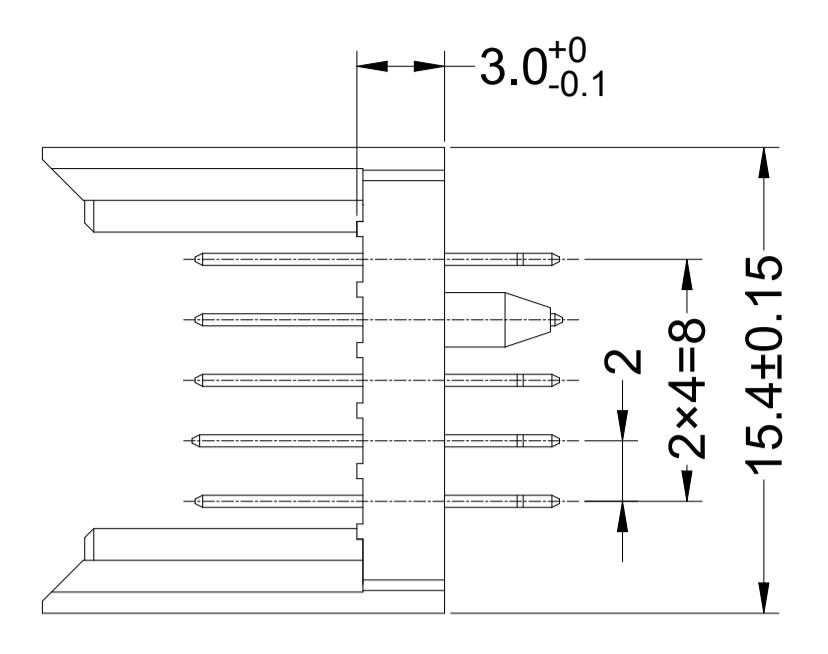
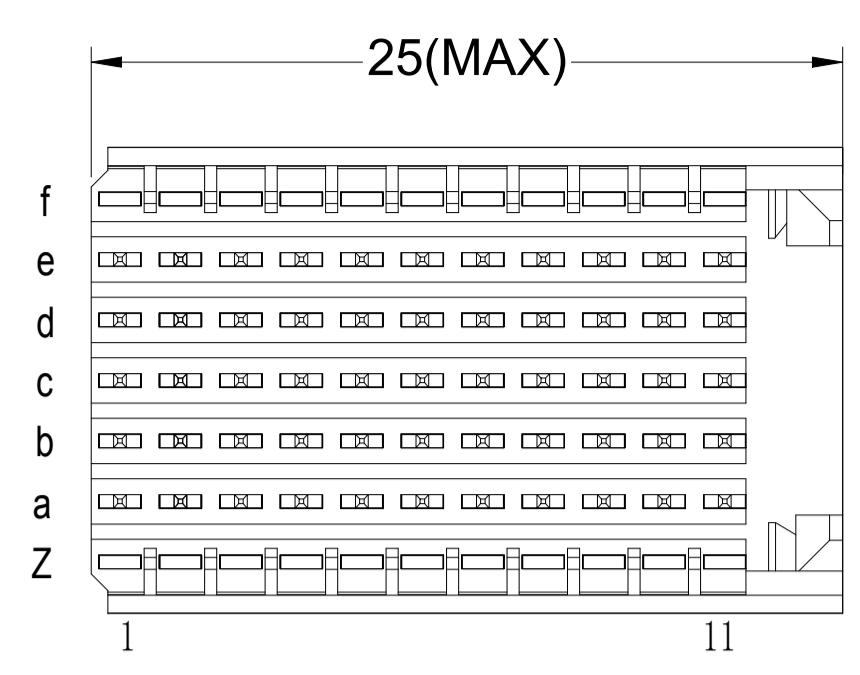
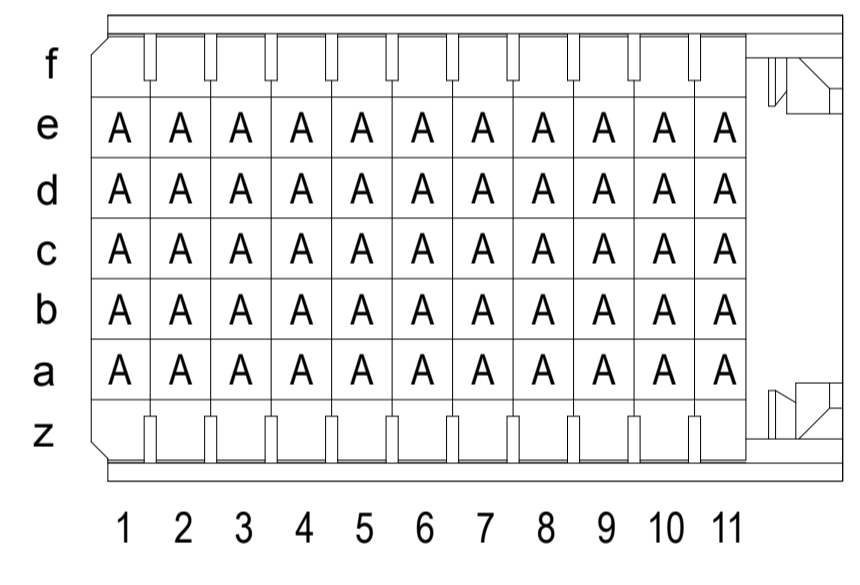


REVISIONS				
P	LTR	DESCRIPTION	DATE	APP'D
A		INITIAL DRAWING	18OCT2021	TL HL



RECOMMEND PCB-HOLE LAYOUT  
 COMPONENT SIDE SHOWN  
 TOLERANCE ±0.05



- 1 MATERIAL:  
 CONTACT: COPPER ALLOY.  
 HOUSING: GLASS-FILLED POLYESTER.
- 2 GENERAL PLATING SPECIFICATION: UNDERPLATING  
 (ENTIRE CONTACT): 1.27µm MIN NICKEL AND ACTION  
 PIN: 0.5µm MIN TIN.  
 FOR PLATING OF MATING SURFACES SEE APPLICABLE  
 SPECIFICATION REFERENCE FOR EACH DASH NUMBER.
- 3 CONFORMS TO ALL TESTING ACCORDING TO IEC 61076-4-101  
 PERFORMANCE LEVEL 2.
- 4 CONNECTOR MARKED WITH PART NUMBER AND DATE CODE.

2/3	2391904-1
FINISH	PART NUMBER

THIS DRAWING IS A CONTROLLED DOCUMENT.		DIN TONY LI 27MAY2021		CIRK ALEX XU 27MAY2021		APVD HOPE LU 27MAY2021		NAME MALE ASSEMBLY, Z-PACK 2mm HM, 55P TYPE C EON	
DIMENSIONS: mm		TOLERANCES UNLESS OTHERWISE SPECIFIED:		0-PLC ±		1-PLC ±		2-PLC ± ±0.2	
3-PLC ±		4-PLC ±		ANGLES ±		PRODUCT SPEC 108-19082		APPLICATION SPEC 114-160149	
MATERIAL 1		FINISH SEE TABLE		WEIGHT 0		SIZE A1		CAGE CODE 00779	
CUSTOMER DRAWING		SCALE 4:1		SHEET 1 of 1		REV A		DRAWING NO. 2391904	