

inspired LED

12V COB LED Tape 420 LED/m

Flexible LED Strip



C US
265216

Inspired LED's **12 Volt COB Flexible Strip Lights** are a simple, cost-effective solution for various task lighting applications. The higher density LEDs are encapsulated under epoxy creating seamless light uniformity. The higher density of LED diodes emits a strong light intensity while maintaining efficiency. Available in 12 Meter reels or bulk strips, these unique strips can easily be cut and terminated with the **iDea Series Screw Terminal Solderless Connector** for easy DIY installation. Energy efficient, long-lasting, and dimmable with compatible systems, Inspired LED COB flex strips are the perfect option for any lighting application!

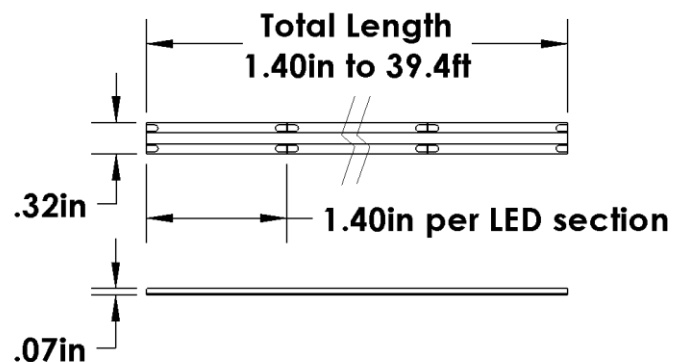


Specifications:	Voltage	LED Density	Wattage	Luminosity	Color Temp	CRI
Warm White	12VDC	126 LEDs/ft., 420 LEDs/m	2.75W/ft.	196 lm/ft.	3000K	92
Pure White	12VDC	126 LEDs/ft., 420 LEDs/m	2.75W/ft.	209 lm/ft.	4000K	93

Product Features:

- Chip-on-Board (COB) LEDs
- 8mm flex, cut points available every 1.4" (15 LEDs)
- Available in bulk pre-cut lengths or full 12m reels
- Class 2 DC plug-in connector (3.5 x 1.3mm), iDea Series Solderless Connectors or 18AWG-22AWG direct soldered leads available
- 3M adhesive mounting to almost any flat surface
- Dimmable with compatible systems
- Rated to last up to 100,000 hours
- CSA C22.2 No. 250.0-08/ANSI/UL Standard 1598, 8750
- **To be installed in accordance with NEC, using Class 2 12V power supply or constant voltage transformer only!**

Product Dimensions:



*Dimensions show in inches

Power Requirements:

Power Source	Max Length
1 Amp (12 W)	42" (9.75 W)
20W Transformer	70" (15.9 W)
2 Amp (24 W)	85" (19.5 W)
40W Transformer	144" (33W)
5 Amp (60 W)	210" (48W)
60W Transformer	210" (48W)
100W Transformer	350" (80W)
150W Transformer	522" (120W)

*70% brightness at 150". Longer strips should be powered from the center to avoid further voltage drop.

Installation Instructions:

1. Clean desired mounting surface(s) and test all products prior to installation.
2. Terminate iDea Series Screw Terminal Connector or solder 18AWG-22AWG wire directly to LED strip copper pads.
3. Temporarily mount LED flex strips using scotch or painters tape.
4. If using a low-voltage in-line switch or dimmer, connect the accessory to the LED strip using a low-voltage cable.
4. Connect 12VDC Class 2 Power Supply to in-line accessory or LED strip.
5. Test lighting system. When satisfied with the placement, peel adhesive backing from components and press firmly to adhere to surface.

Troubleshooting: If LEDs are flickering, double check connection to be sure flex is fully inserted and secured, if no lights turn on check polarity to be sure they are properly matched.



inspiredled.com



orders@inspiredled.com



(480) 941-4286