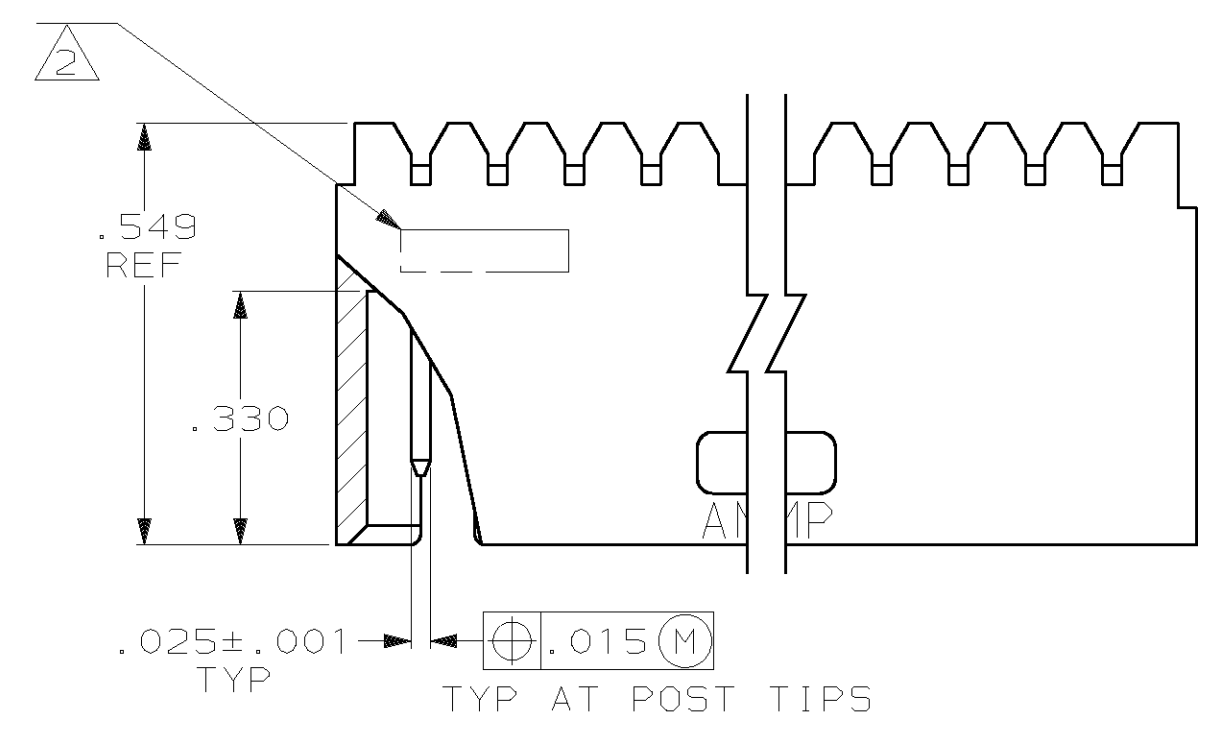
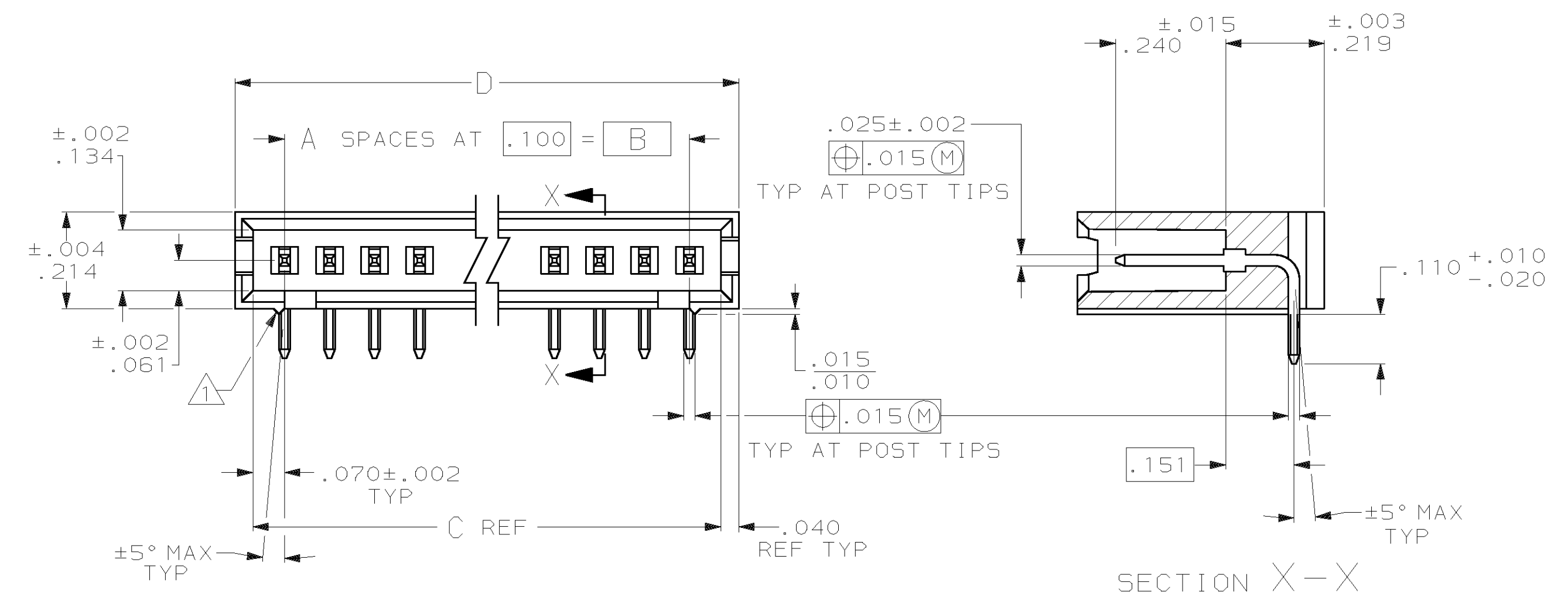


LOC AD	DIST	P	F	ZONE	LTR	DESCRIPTION	DATE	APPD
	39					REV PER AR-2700	9-28-89	SAS/
						REV LOC & DIST AD-4171	3-90	BF
						ECN AD-4707	08/02/90	KIH
						REV PER ECN AD-5526	04/03/91	KIH
						REV PER ECN AD-5098	8/21/92	HP
						REV PER 0010-0329-92	5/25/93	HP
						REV PER 0010-0948-94	8-15-94	JK
						REV PER ECN.0010-0051-95 TH	3/15/95	JK
						REV PER 0310-0427-97	02-FEB-98	SAS
						REV PER 0630-0142-02	23APR02	JG

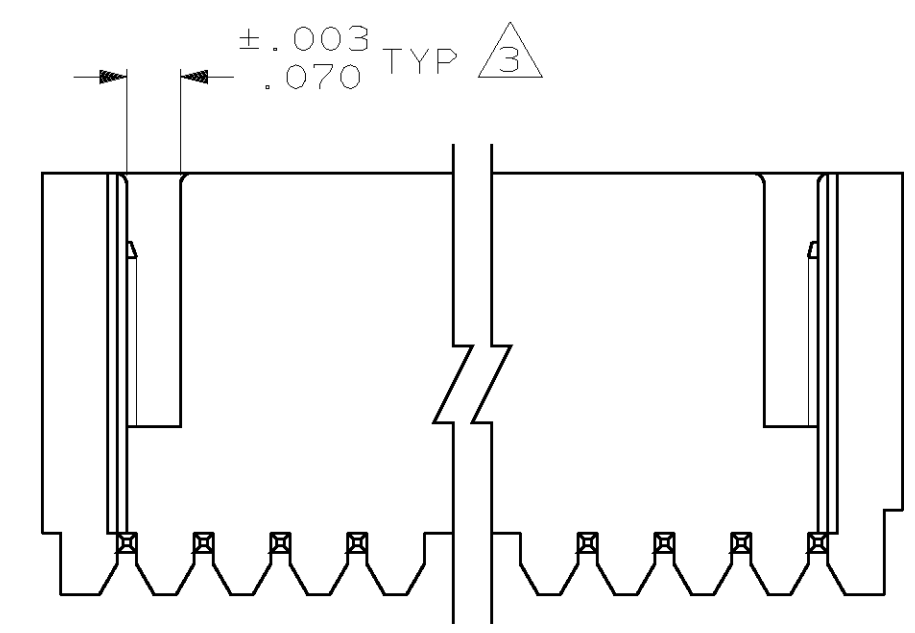


△ STANDOFFS:  
 3 THRU 9 POSN - (2 REOD) ON OUTSIDE ENDS OF HOUSING  
 10 THRU 18 POSN - (3 REOD) TWO ON OUTSIDE ENDS AND ONE CENTERED ON HOUSING  
 19 POSN AND LARGER - (4 REOD) TWO ON OUTSIDE ENDS AND TWO EVENLY SPACED WITHIN REMAINING LENGTH OF HOUSING

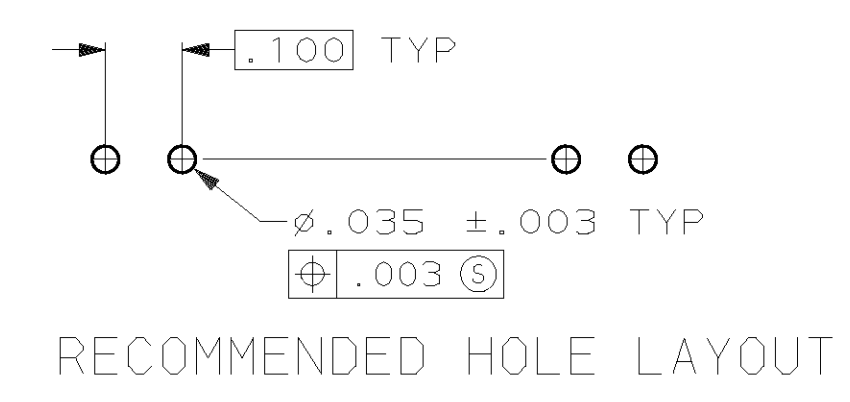
△ RECESSED DATE CODE  
 △ FOR 3 POS ONLY, ONE SLOT .215 WIDE.



SECTION X-X



OBSOLETE	3.720	3.640	3.500	35	36	3-102523-4
OBSOLETE	3.620	3.540	3.400	34	35	3-102523-3
OBSOLETE	3.520	3.440	3.300	33	34	3-102523-2
OBSOLETE	3.420	3.340	3.200	32	33	3-102523-1
OBSOLETE	3.320	3.240	3.100	31	32	3-102523-0
OBSOLETE	3.220	3.140	3.000	30	31	2-102523-9
OBSOLETE	3.120	3.040	2.900	29	30	2-102523-8
OBSOLETE	3.020	2.940	2.800	28	29	2-102523-7
OBSOLETE	2.920	2.840	2.700	27	28	2-102523-6
OBSOLETE	2.820	2.740	2.600	26	27	2-102523-5
OBSOLETE	2.720	2.640	2.500	25	26	2-102523-4
OBSOLETE	2.620	2.540	2.400	24	25	2-102523-3
	2.520	2.440	2.300	23	24	2-102523-2
	2.420	2.340	2.200	22	23	2-102523-1
	2.320	2.240	2.100	21	22	2-102523-0
	2.220	2.140	2.000	20	21	1-102523-9
	2.120	2.040	1.900	19	20	1-102523-8
	2.020	1.940	1.800	18	19	1-102523-7
	1.920	1.840	1.700	17	18	1-102523-6
	1.820	1.740	1.600	16	17	1-102523-5
	1.720	1.640	1.500	15	16	1-102523-4
	1.620	1.540	1.400	14	15	1-102523-3
	1.520	1.440	1.300	13	14	1-102523-2
	1.420	1.340	1.200	12	13	1-102523-1
	1.320	1.240	1.100	11	12	1-102523-0
	1.220	1.140	1.000	10	11	102523-9
	1.120	1.040	.900	9	10	102523-8
	1.020	.940	.800	8	9	102523-7
	.920	.840	.700	7	8	102523-6
	.820	.740	.600	6	7	102523-5
	.720	.640	.500	5	6	102523-4
	.620	.540	.400	4	5	102523-3
	.420	.340	.200	2	3	102523-2
	.520	.440	.300	3	4	102523-1



RECOMMENDED HOLE LAYOUT

UNLESS OTHERWISE SPECIFIED DIMENSIONS ARE IN INCHES TOLERANCES ON:	DR 9-28-89 S.A. SHUEY	AMP INCORPORATED Harrisburg, Pa. 17105
2 PL DEC ±.005 3 PL DEC ±.005 ANGLES ±	CHK 10-3-89 H. MOLL	
MATERIAL: HOUSING: FLAME RETARDANT THERMOPLASTIC; COLOR-BLACK	APPD 10-3-89 R. ELICKER	NAME HEADER ASSEMBLY, MOD II, SINGLE ROW .100 CL, RIGHT ANGLE
POSTS: PHOS BRONZE	APPD 10-3-89 FLINCHBAUGH	PRODUCT SPEC -
FINISH: POSTS: .000100 - .000200 TIN-LEAD OVER .000050 NICKEL	APPLICATION SPEC -	SIZE <b>D</b>
	WEIGHT -	FSCM NO 00779
		DRAWING NO 102523
		SCALE 4:1
		SHEET 1 OF 1