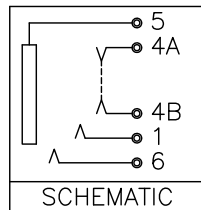


RECOMMENDED PCB LAYOUT
<TOP VIEW>
TOLERANCE FOR PCB LAYOUT IS ± 0.05



Materials and Finish

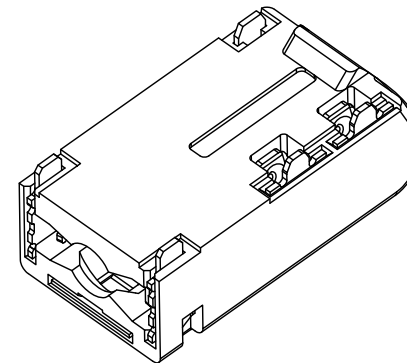
Housing: High Temperature, Thermoplastic, UL 94V-0 Rated
Color: Black
Contact Material: Copper Alloy, Gold Plated

Electrical Characteristics

Insulation Resistance: 100 Megohms at 500V DC
Contact Resistance: 50 milliohms Max.
Dielectric Withstanding Voltage: 500V AC RMS for 1 Minute

Mechanical Characteristics

Insertion Force: 0.4kg - 3.0kg
Withdrawal Force: 0.4kg - 3.0kg
Durability: 10,000 Mating Cycles Min.
Operating Temperature: -25°C to +70°C



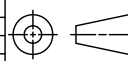
Tolerances
X.X ± 0.3
X.XX ± 0.2
Unless Stated Otherwise

RoHS COMPLIANT

REV.	DATE	DESCRIPTION	REV. BY	CHK. BY	DRAWN BY	DATE
A0	04/29/16	New Drawing	C. Kelleher	W. Cook	H. MA	04/27/16
A1	05/31/16	Release Drawing	C. Kelleher	N/A		
A2	02/22/18	ECO#18-011	H. MA	N/A		

STX-353E7A-4N-TR

Ø3.5 Audio Jack, Thru Hole,
4 Pole, Contoured Face, T/R



UNITS
mm