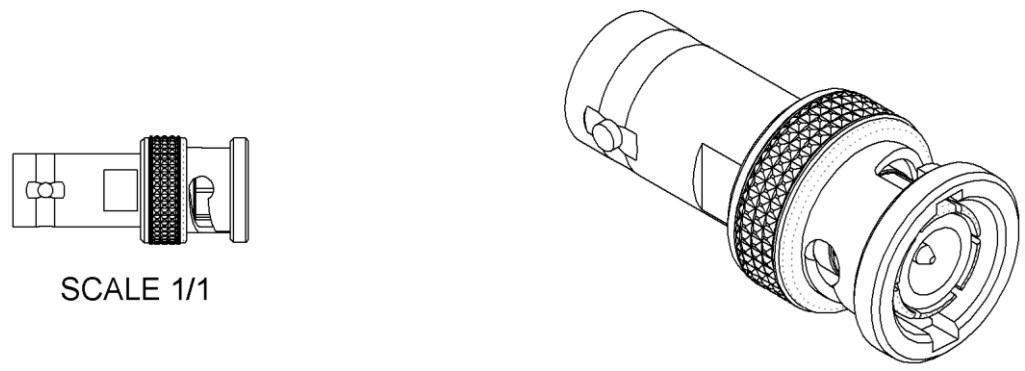
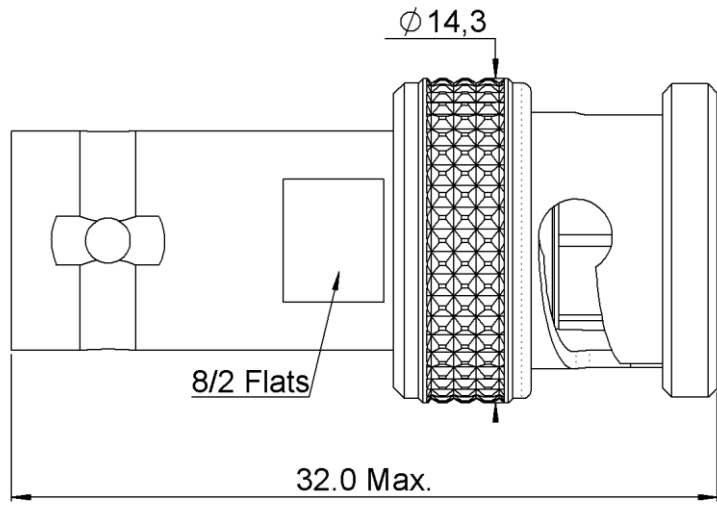
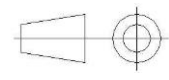


|          |                 |                      |                        |
|----------|-----------------|----------------------|------------------------|
| PAGE 1/2 | ISSUE 22-12-14B | SERIES<br>ATTENUATOR | PART NUMBER R412412124 |
|----------|-----------------|----------------------|------------------------|



All dimensions are in mm.



| COMPONENTS            | MATERIALS               | PLATING ( $\mu\text{m}$ )   |
|-----------------------|-------------------------|-----------------------------|
| Body                  | <b>BRASS</b>            | <b>NICKEL 2</b>             |
| Male center contact   | <b>BRASS</b>            | <b>GOLD 1 OVER NICKEL 2</b> |
| Female center contact | <b>BERYLLIUM COPPER</b> | <b>GOLD 1 OVER NICKEL 2</b> |
| Outer contact         | -                       | -                           |
| Insulator             | <b>PTFE</b>             |                             |
| Gasket                | <b>SILICONE RUBBER</b>  |                             |
| Substrate             | <b>ALUMINA</b>          |                             |
| Resistor              | <b>THICK FILM</b>       |                             |
| Others parts          | -                       | -                           |

|          |                        |                             |                               |
|----------|------------------------|-----------------------------|-------------------------------|
| PAGE 2/2 | ISSUE <b>22-12-14B</b> | SERIES<br><b>ATTENUATOR</b> | PART NUMBER <b>R412412124</b> |
|----------|------------------------|-----------------------------|-------------------------------|

**ELECTRICAL CHARACTERISTICS**

|                 |               |              |
|-----------------|---------------|--------------|
| Frequency (GHz) | <b>DC - 2</b> | <b>2 - 3</b> |
| V.S.W.R (≤)     | <b>1.20</b>   | <b>1.30</b>  |
| Deviation(±dB)  | <b>0.50</b>   | <b>0.50</b>  |

|                              |               |                       |
|------------------------------|---------------|-----------------------|
| Operating Frequency Range    | <b>DC - 3</b> | GHz                   |
| Impedance                    | <b>50</b>     | Ω                     |
| Nominal Attenuation          | <b>12</b>     | dB                    |
| Peak power at 25°C (1μs, 1%) | <b>100</b>    | W                     |
| Average power at 25°C        | <b>1</b>      | W (Free Air Cooled)   |
|                              |               | W (Conduction Cooled) |

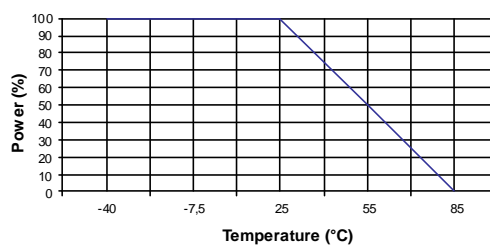
**MECHANICAL CHARACTERISTICS**

|            |                |                    |                    |
|------------|----------------|--------------------|--------------------|
| Connectors | <b>BNC</b>     | <b>Male Female</b> | <b>MIL-C 39012</b> |
| Weight     | <b>12,8400</b> | g                  |                    |

**ENVIRONMENTAL CHARACTERISTICS**

|                             |                     |
|-----------------------------|---------------------|
| Operating temperature range | <b>-40 / +85</b> °C |
| Storage temperature range   | <b>-40 / +85</b> °C |

**Power derating Versus temperature**



**SPECIFICATION**

**OTHER CHARACTERISTICS**