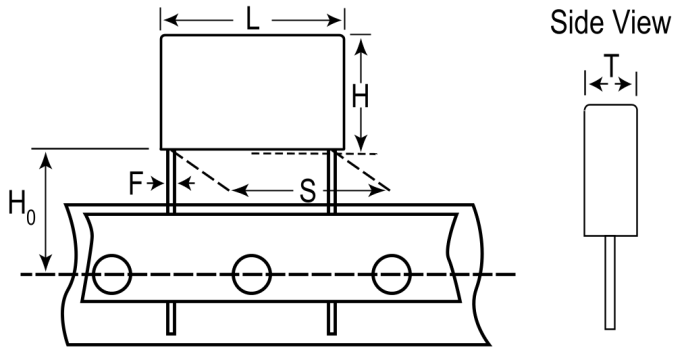


PME271Y410MR19T0

Aliases (P271HE102M250L)

PME271Y/P271, Film, Metallized Paper, Safety, 1000 pF, 20%, 250 VAC (Y2), 1000 VDC, 100°C, Lead Spacing = 10.2mm



Click [here](#) for the 3D model.

Dimensions

| | |
|----------------|-----------------|
| L | 13.5mm MAX |
| H | 7.5mm MAX |
| T | 3.9mm MAX |
| S | 10.2mm +/-0.4mm |
| H ₀ | 18.5mm +/-0.5mm |
| F | 0.6mm +/-0.05mm |

Packaging Specifications

| | |
|--------------------|-----|
| Packaging | T&R |
| Packaging Quantity | 700 |

General Information

| | |
|------------------|--------------------|
| Series | PME271Y/P271 |
| Dielectric | Metallized Paper |
| Style | Radial |
| Features | EMI Safety |
| RoHS | Yes |
| Lead | Wire Leads |
| Safety Class | Y2 |
| Qualifications | ENEC, UL, cUL, CQC |
| AEC-Q200 | No |
| THB Performance | No |
| Construction | Molded |
| Component Weight | 0.63 g |
| Miscellaneous | SRF = 53 MHz. |

Specifications

| | |
|-----------------------|--------------|
| Capacitance | 1000 pF |
| Capacitance Tolerance | 20% |
| Voltage AC | 250 VAC (Y2) |
| Voltage DC | 1000 VDC |
| Temperature Range | -40/+100°C |
| Rated Temperature | 100°C |
| Dissipation Factor | 1.3% 1kHz |
| Insulation Resistance | 12 GOhms |
| Max dV/dt | 2000 V/us |