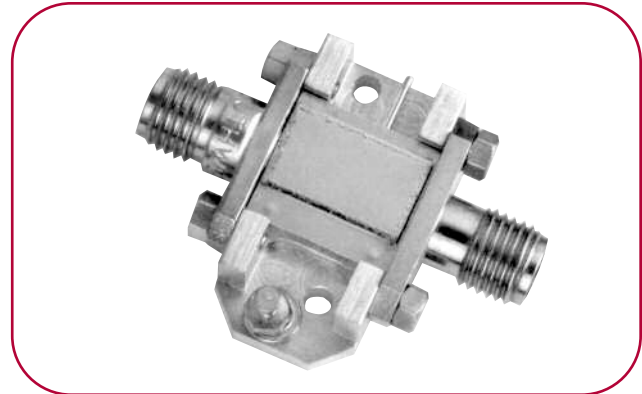


ACTIVE FREQUENCY DOUBLERS (CONT.)

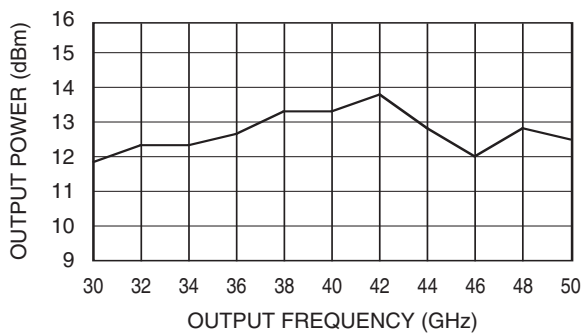
MODEL: MAX2M300500

ELECTRICAL SPECIFICATIONS

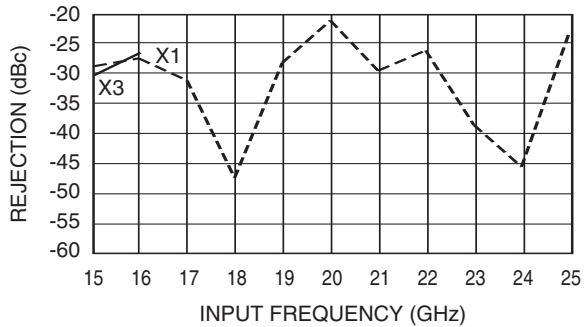
Input frequency range	15 – 25 GHz
Output frequency range	30 – 50 GHz
Input power range	8 – 12 dBm
Harmonic rejection	
Fundamental	20 dBc typical
Odd harmonic	20 dBc typical



OUTPUT POWER VS. FREQUENCY

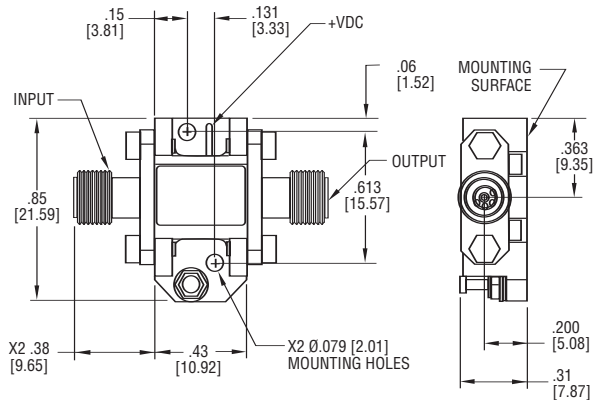


FUNDAMENTAL REJECTION VS. FREQUENCY ($P_{IN} = +10$ dBm)



OUTLINE DRAWING

MAX2K



NOTES:

1. Optional input connectors SMA, K or output connectors V type male/female.
2. Optional waveguide output available, please contact MITEQ.
3. All dimensions shown in brackets [] are in millimeters.