

THIS DRAWING IS UNPUBLISHED.

RELEASED FOR PUBLICATION

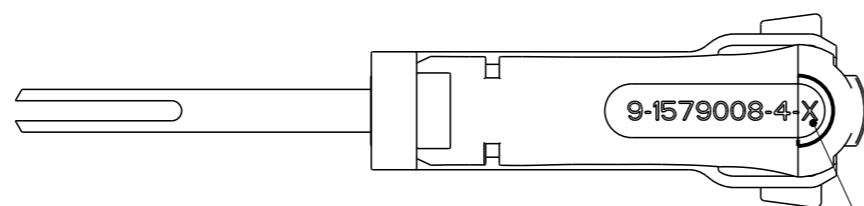
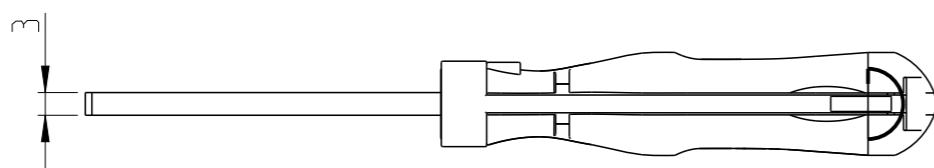
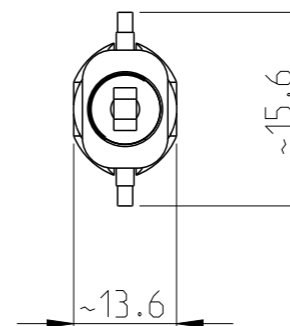
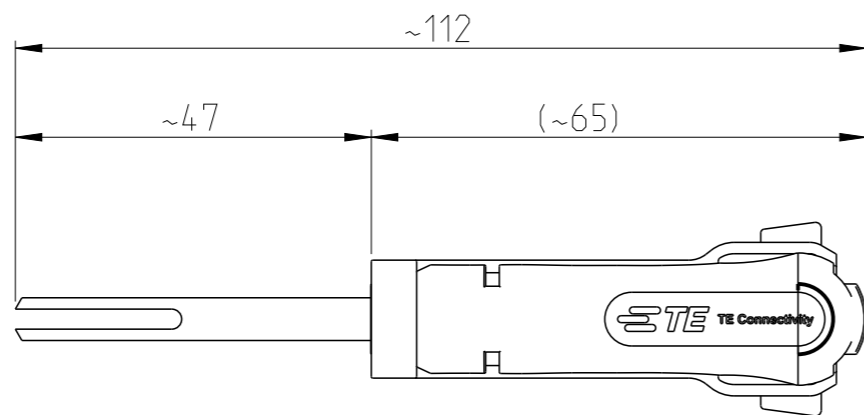
20

© COPYRIGHT 20 BY -

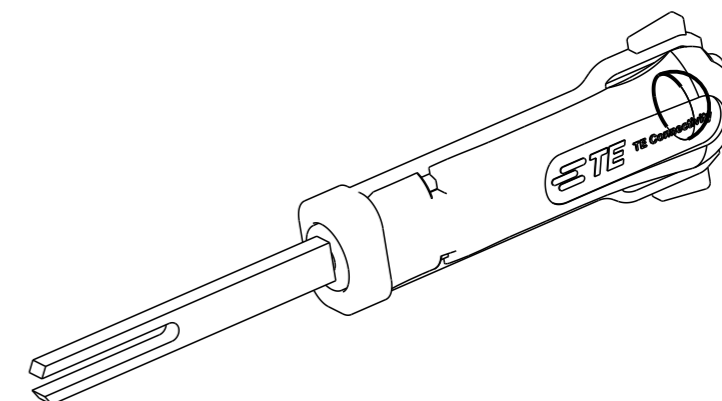
ALL RIGHTS RESERVED.

REVISIONS

P	LTR	DESCRIPTION	DATE	DWN	APVD
	A	INITIAL REVISION	17AUG2018	KH	RG
	B	ECR-19-018252	22NOV2019	PNT	GS

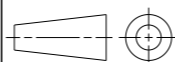


CURRENT REVISION
Aktuelle Revision



THIS DRAWING IS A CONTROLLED DOCUMENT.

DIMENSIONS:
mm



MATERIAL

TOLERANCES UNLESS OTHERWISE SPECIFIED:

- 0 PLC ±
- 1 PLC ±
- 2 PLC ±
- 3 PLC ±
- 4 PLC ±
- ANGLES ±

FINISH

DWN K.HOLAL 17AUG2018

CHK R.GERMANN 17AUG2018

APVD R.GERMANN 17AUG2018

PRODUCT SPEC

APPLICATION SPEC

WEIGHT 18g

CUSTOMER DRAWING

STE TE Connectivity

NAME
EXTRACTION TOOL
Entriegelungswerkzeug

SIZE CAGE CODE DRAWING NO RESTRICTED TO

A3 00779 C-9-1579008-4

SCALE 5:1 SHEET 1 OF 1 REV B