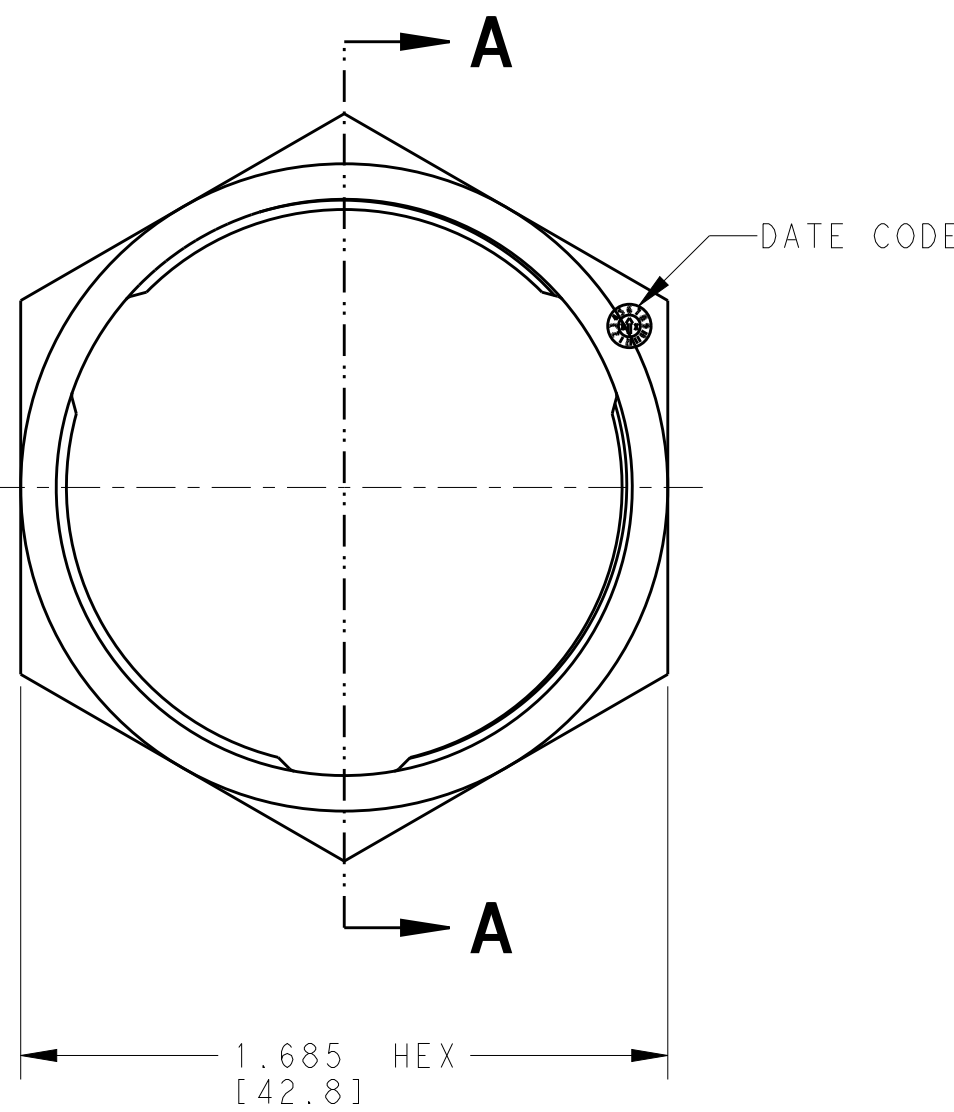
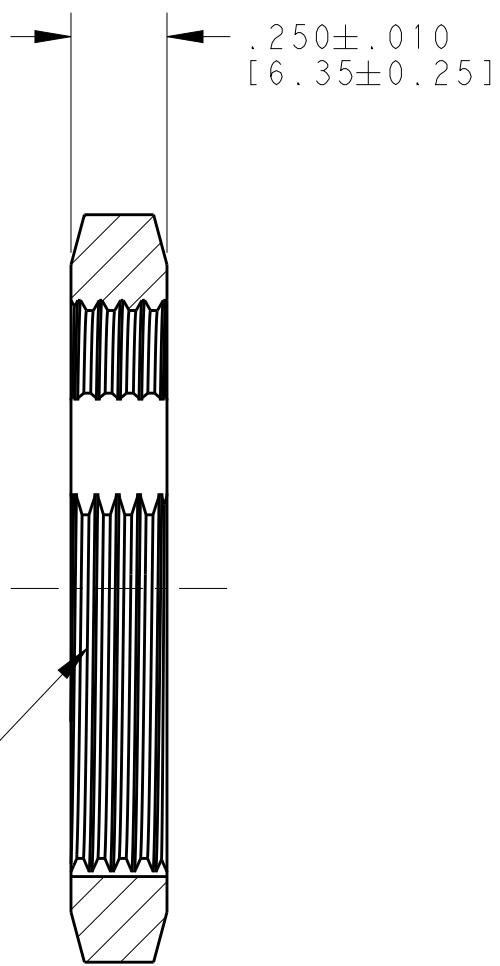
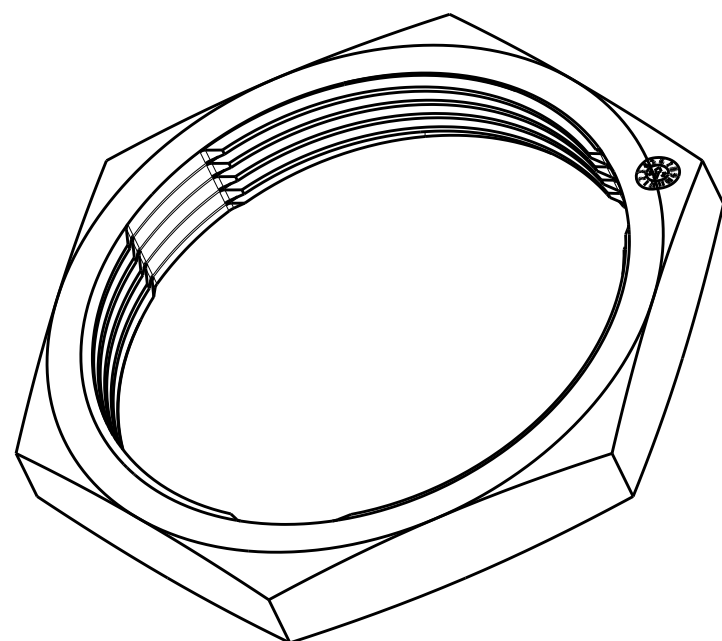


THIS DRAWING IS UNPUBLISHED
 RELEASED FOR PUBLICATION 2014
 © COPYRIGHT 2013 BY TE CONNECTIVITY ALL RIGHTS RESERVED.

LOC	DIST	REVISIONS			
P	LTR	DESCRIPTION	DATE	DWN	APVD
	NC	NEW RELEASE PER E.O. P16488	2-4-00	SB	RDR
	A	REVISED PER ECO-14-011896	8-4-14	JA	DM



SECTION A-A

3. TO BE USED ON HDP SERIES SIZE 18.

2 MATERIAL: PEI 30% GF, BLACK.

1. FOR APPLICATION CHARACTERISTICS SEE DRAWING 0425-021-0000.

NOTES:

THIS DRAWING IS A CONTROLLED DOCUMENT.		DWN	12 JUN 2014						
DIMENSIONS: INCHES [mm]		CHK	JAIME C. APOSTOL						
TOLERANCES UNLESS OTHERWISE SPECIFIED:		APVD	04 AUG 2014						
0 PLC ± 1 PLC ± 2 PLC ± 3 PLC ±.025 [.64] 4 PLC ± ANGLES ±0°30'0"		PRODUCT SPEC	ILINA GRANICHAROVA						
MATERIAL	2	FINISH	NAME	DAVID MEYER					
		WEIGHT	4.47g		PLASTIC PANEL NUT FOR RECEPTACLES SIZE 18 HDP SERIES				
		Customer Drawing	SIZE	A3	CAGE CODE	4AFU8	DRAWING NO	2411-002-1805	RESTRICTED TO
			SCALE	2:1	SHEET	1	OF	1	REV
									A