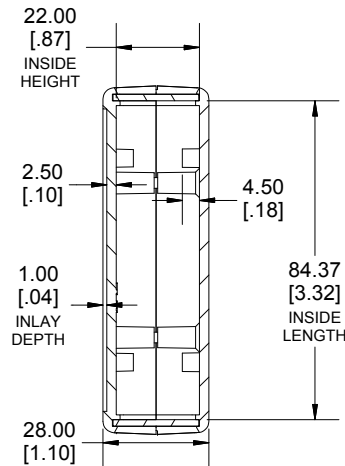
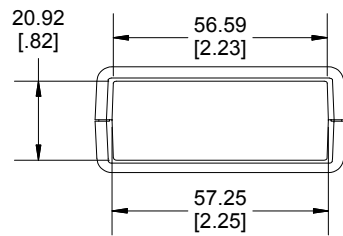
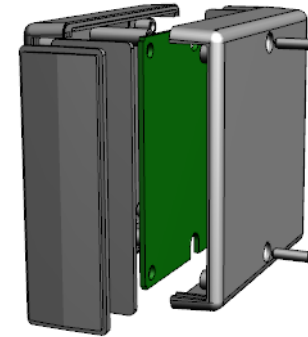


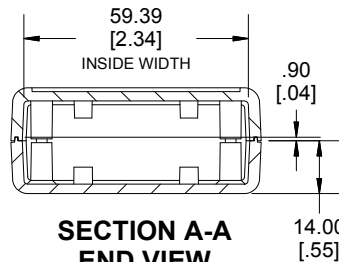
TOP VIEW



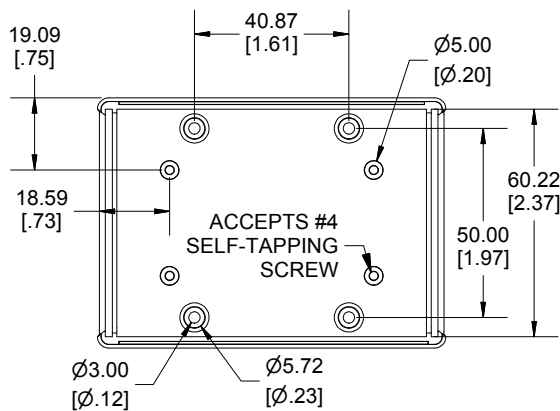
SECTION B-B
SIDE VIEW



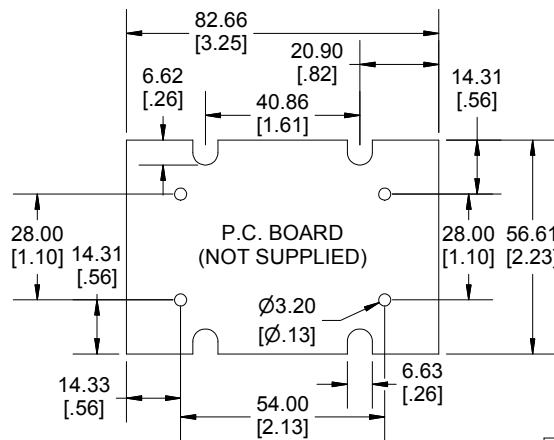
END VIEW



SECTION A-A
END VIEW



INSIDE BOTTOM



Enclosures can be Factory Modified (Milling, Drilling, Printing etc.)
Contact Factory mjm@hammondmfg.com for quotes
Solid models of this enclosure available in STEP or IGES.
(Part number and text placement/orientation on our products are subject to change, we do not recommend using them as a locating reference for modification purposes)

NOTE

Enclosure molded from GP ABS (UL94-HB) plastic.
Purchased assembly includes top and bottom cover, 4 plastic panels for front and rear (2 types - flat and contoured) and 4 cover screws.

Recommended Cover Screw Torque - 57lbf-in (40cN-m)

1593	
1593L Regular Enclosure	
Black Enclosure	1593LBK
Grey Enclosure	1593LGY
Translucent Blue Enclosure	1593LTBU
ACCESSORIES	
Cover Screws #4 X 3/4" Self-Tapping (100 Pkg)	1593QS100 (Silver)
	1593QS100BK (Black)
P.C. Board Screws #4 X 1/4" Self-Tapping	1593ATS50 (Pkg 50)
	1593ATS100 (Pkg 100)
Nylon Belt Clip	1599CLIP (Black)
	1599CLIPGY (Grey)
1593L STD FLAT PANEL (SINGLE PANEL)	Black
	Grey
	Translucent Blue
	Infrared
1593L STD CONTOURED PANEL (SINGLE PANEL)	Black
	Grey
	Translucent Blue



Dimensions:
mm
[inches]