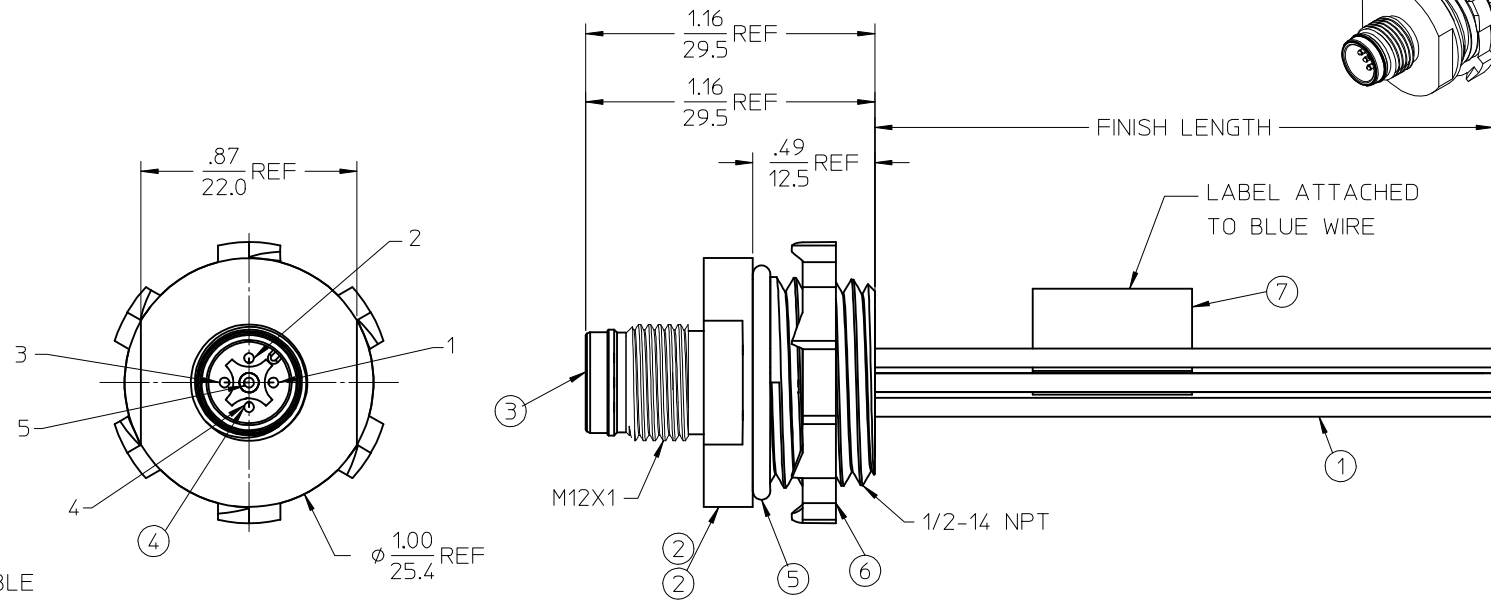
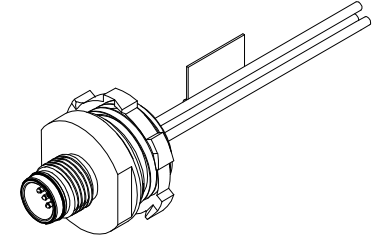


10	9	8	7	6	5	4	3	2
MATERIAL NUMBER	ENGINEERING NUMBER	FINISHED LENGTH						
1300360002	DND6100NB-M003	11.81" +.75"-0 [.3M +19.0-0]						



- NOTES:
- 1) MATERIAL: SEE TABLE
 - 2) FINISH: SEE TABLE
 - 3) ELECTRICAL SPECIFICATIONS:
VOTAGE: 250 VAC/VDC
CURRNT RATING: 4 AMPS
 - 4) ENVIRONMENTAL:
TEMPERATURE RANGE: -20°C TO 80°C
IP67
 - 5) ASSEMBLY IS RoHS COMPLIANT
 - 6) AGENCY CERTIFICATIONS: c_{UL}us (B)

WIRING CONNECTION

1	GRAY
2	RED
3	BLACK
4	WHITE
5	BLUE

7	LABEL	MYLAR	BLACK/YELLOW
6	PANEL NUT	STEEL	ZINC PLATED
5	O-RING	BUNA-N	BLACK
4	PIN CONTACT	Cu ALLOY	GOLD PLATED
3	INSERT 4P	NYLON	BLACK
2	RECEPT. SHELL	BRASS	NICKEL PLATED
1	WIRE 22 AWG	PVC	AS NOTED
ITEM	COMPONENT	MATERIAL	FINISH

ADDED cCSAus AGENCY
 EC NO: IFC2014-0422
 DR/MN/BARDEN 2013/08/30
 CHK/DRSTONE 2013/09/09
 APPR: J/MURPHY 2013/09/20

QUALITY SYMBOLS
 ▽=0
 ▽=0

GENERAL TOLERANCES (UNLESS SPECIFIED)

	mm	INCH
4 PLACES	± .---	± .---
3 PLACES	± .---	± .005
2 PLACES	± 0.13	± .010
1 PLACE	± 0.25	± .020
ANGULAR ± 1/2°		

DRAFT WHERE APPLICABLE
 MUST REMAIN WITHIN DIMENSIONS

DIMENSION STYLE
 IN/MM

SCALE
 2:1

DESIGN UNITS
 INCH

THIRD ANGLE PROJECTION

DRAWN BY DATE
 B. RUPERT 01/25/2010

CHECKED BY DATE
 B. WOODMAN 01/25/2010

APPROVED BY DATE
 J. MURPHY 01/25/2010

MATERIAL NO.

SEE CHART

TITLE
 DNET MIC 5P MR
 1/2NPT #22 AWG

MOLEX INCORPORATED

DOCUMENT NO.
 SD-130036-012

SHEET NO.
 1 OF 1

THIS DRAWING CONTAINS INFORMATION THAT IS PROPRIETARY TO MOLEX INCORPORATED AND SHOULD NOT BE USED WITHOUT WRITTEN PERMISSION