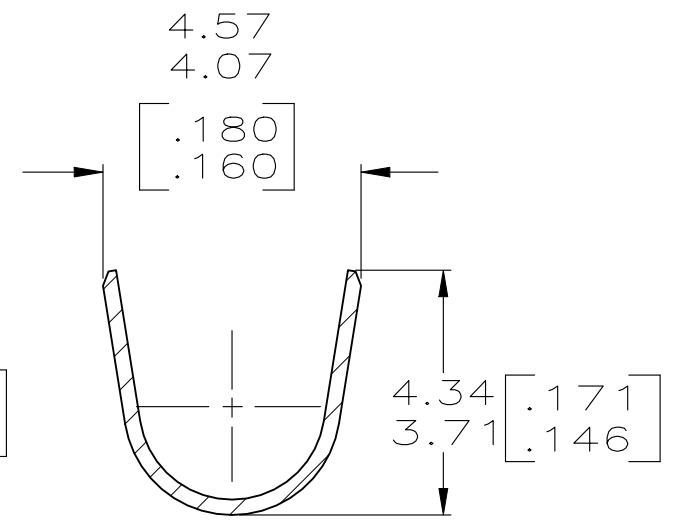
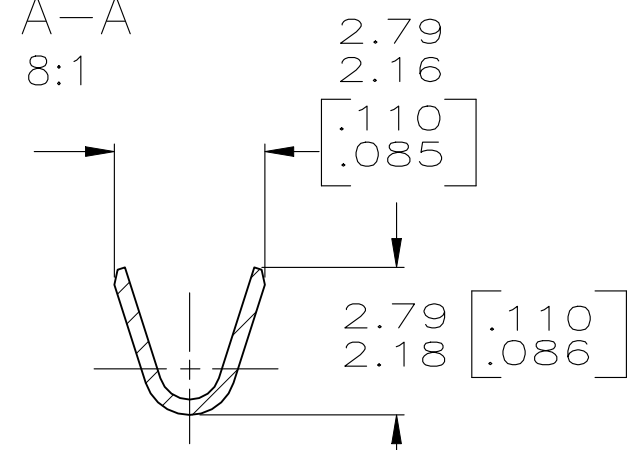
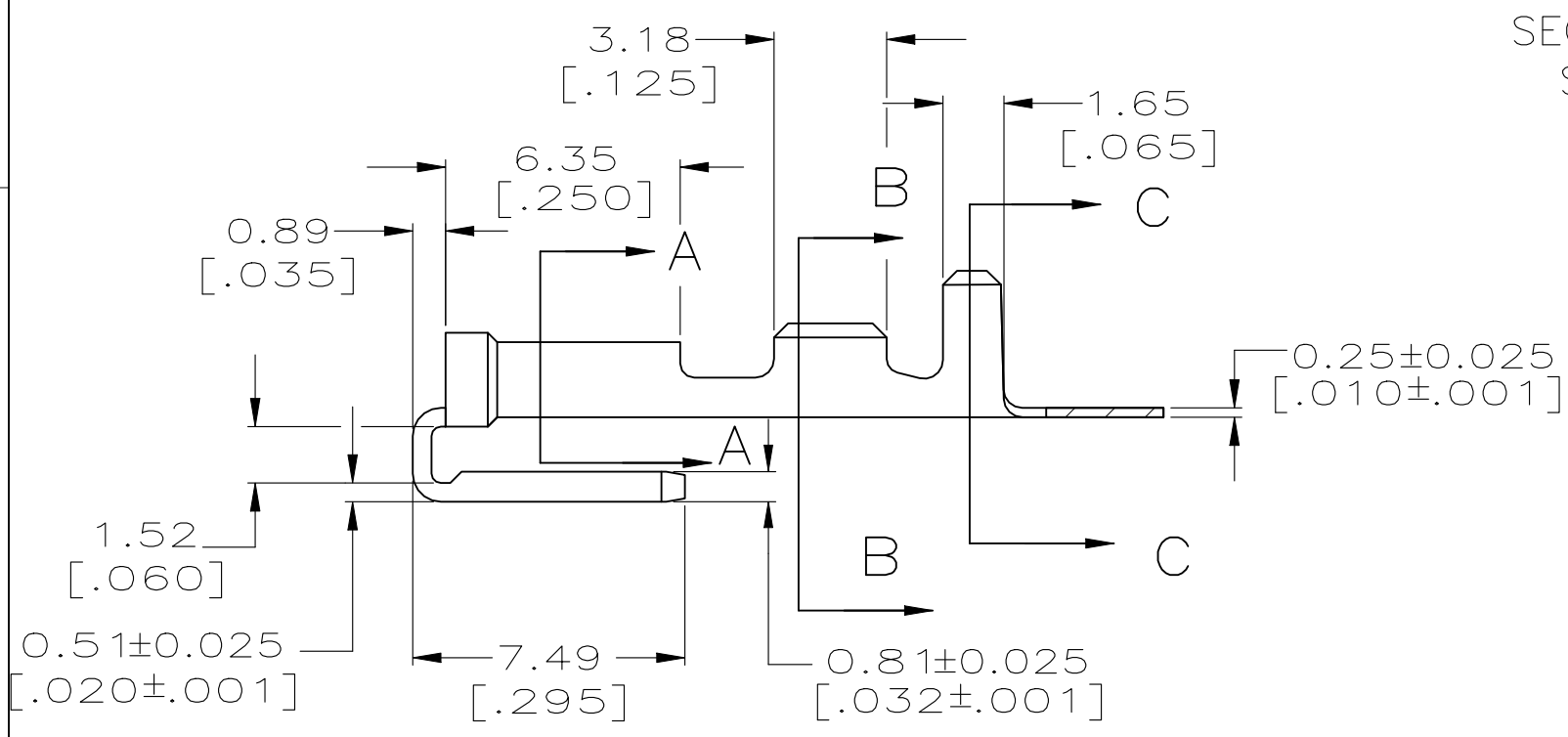
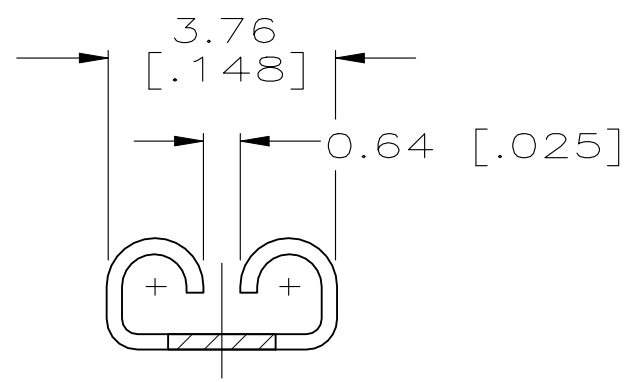
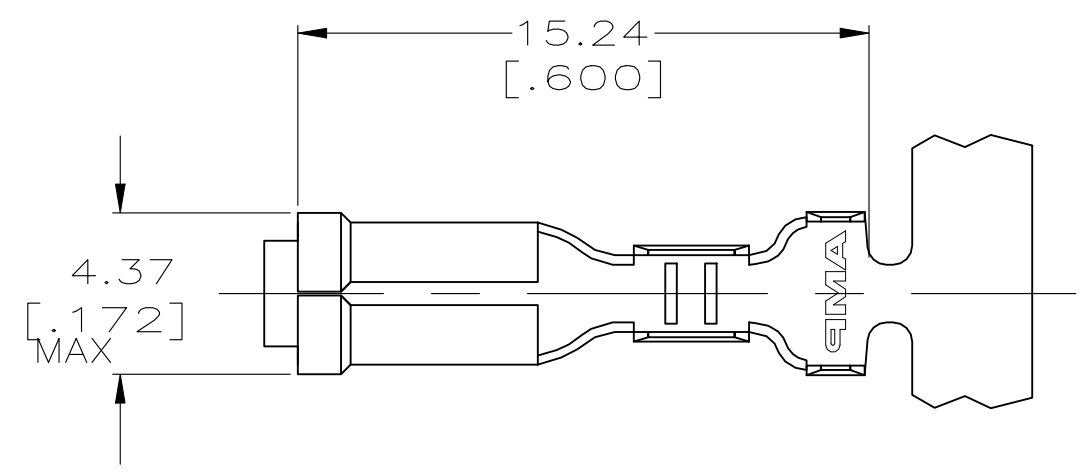


REVISIONS					
P	LTR	DESCRIPTION	DATE	DWN	APVD
B1		REVISED PER ECR-21-113405	31MAY2022	SS	DH

- CONTINUOUS STRIP ON REELS.
- FIRST INSERTION 10 LBS MAX
FIRST EXTRACTION 2 LBS MIN
USE TEST TAB 62061-2.
- THE GAP ON THE ROLLS TO BE IN CONTACT WITH THE TAB FOR THE LENGTH OF THE ROLL BEHIND THE LEAD-IN.



2.03-3.05 DIA [.080-.120] DIA	[#22-#18] AWG	0.81±0.025 [.032±.001]	1217145-1
INSULATION RANGE	WIRE SIZE	MATING TAB THICKNESS	PART NO.

THIS DRAWING IS A CONTROLLED DOCUMENT.		DWN JR RUTH 18MAR99	 TE Connectivity RECEPTACLE, FASTON, PIGGYBACK, 2.79 [.110] SERIES		
DIMENSIONS: mm [INCHES]		CHK MS FEHER 18MAR99			NAME
TOLERANCES UNLESS OTHERWISE SPECIFIED:		APVD D BRATINA 18MAR99			PRODUCT SPEC
0 PLC ± - 1 PLC ± - 2 PLC ± 0.25 [.010] 3 PLC ± - 4 PLC ± - ANGLES ± -		APPLICATION SPEC			RESTRICTED TO
MATERIAL BRASS		FINISH 0.002032 [.000080] MIN TIN	114-2082	SIZE A3	
		WEIGHT 0.000000	CAGE CODE 00779	DRAWING NO C-1217145	
		CUSTOMER DRAWING		SCALE 5:1	
				SHEET 1 OF 1	
				REV B1	