

10 9 8 7 6 5 4 3 2 1

F

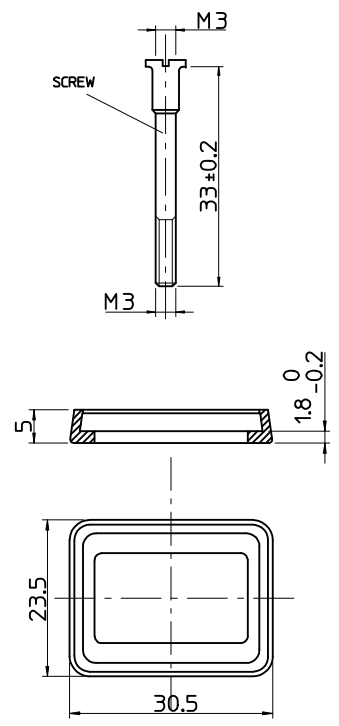
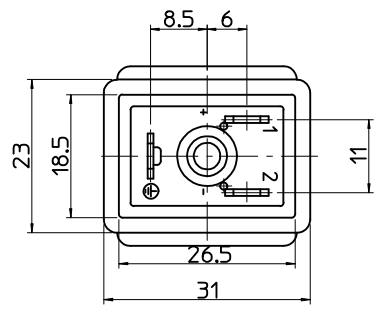
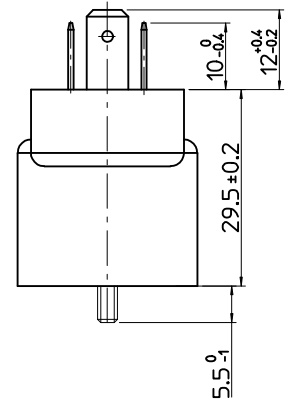
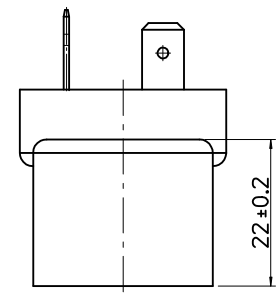
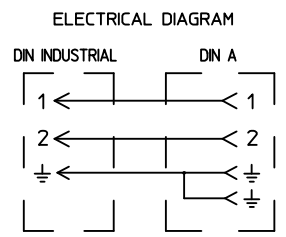
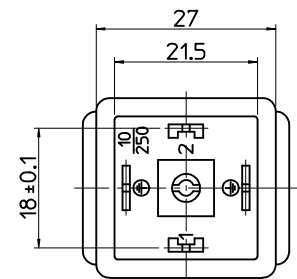
E

D

C

B

A



Engineering no: A920002

ADD CONNECTION DIAGRAM EC NO: IPG2016-0444 DRWN:RSCHIEBER 2014/02/24 CHKD:JELIZAINCIN 2015/09/22 APPR:RSILLER 2015/09/23	QUALITY SYMBOLS	DESCRIPTION
	▽=0	
	∇=0	
	REV	

GENERAL TOLERANCES (UNLESS SPECIFIED)	mm	INCH
	± ---	± ---
4 PLACES	± ---	± ---
3 PLACES	± ---	± ---
2 PLACES	± 0.05	± ---
1 PLACE	± 0.30	± ---
0 PLACE	± 0.50	± ---
ANGULAR ± 1 °		
DRAFT WHERE APPLICABLE MUST REMAIN WITHIN DIMENSIONS		

DIMENSION STYLE MM ONLY	
DRAWN BY	DATE
RSCHIEBER	2015/04/14
CHECKED BY	DATE
JELIZAINCIN	2015/09/22
APPROVED BY	DATE
RSZWAJROWSKI	2009/09/28
MATERIAL NO. 1210010398	

SCALE	DESIGN UNITS METRIC	THIRD ANGLE PROJECTION
TITLE ADAPTOR FORM A/FEMM. B/MAS.		
molex		SHEET NO. 1 OF 1
DOCUMENT NO. SD-121001-012		
THIS DRAWING CONTAINS INFORMATION THAT IS PROPRIETARY TO MOLEX INCORPORATED AND SHOULD NOT BE USED WITHOUT WRITTEN PERMISSION		

9 8 7 6 5 4 3 2 1