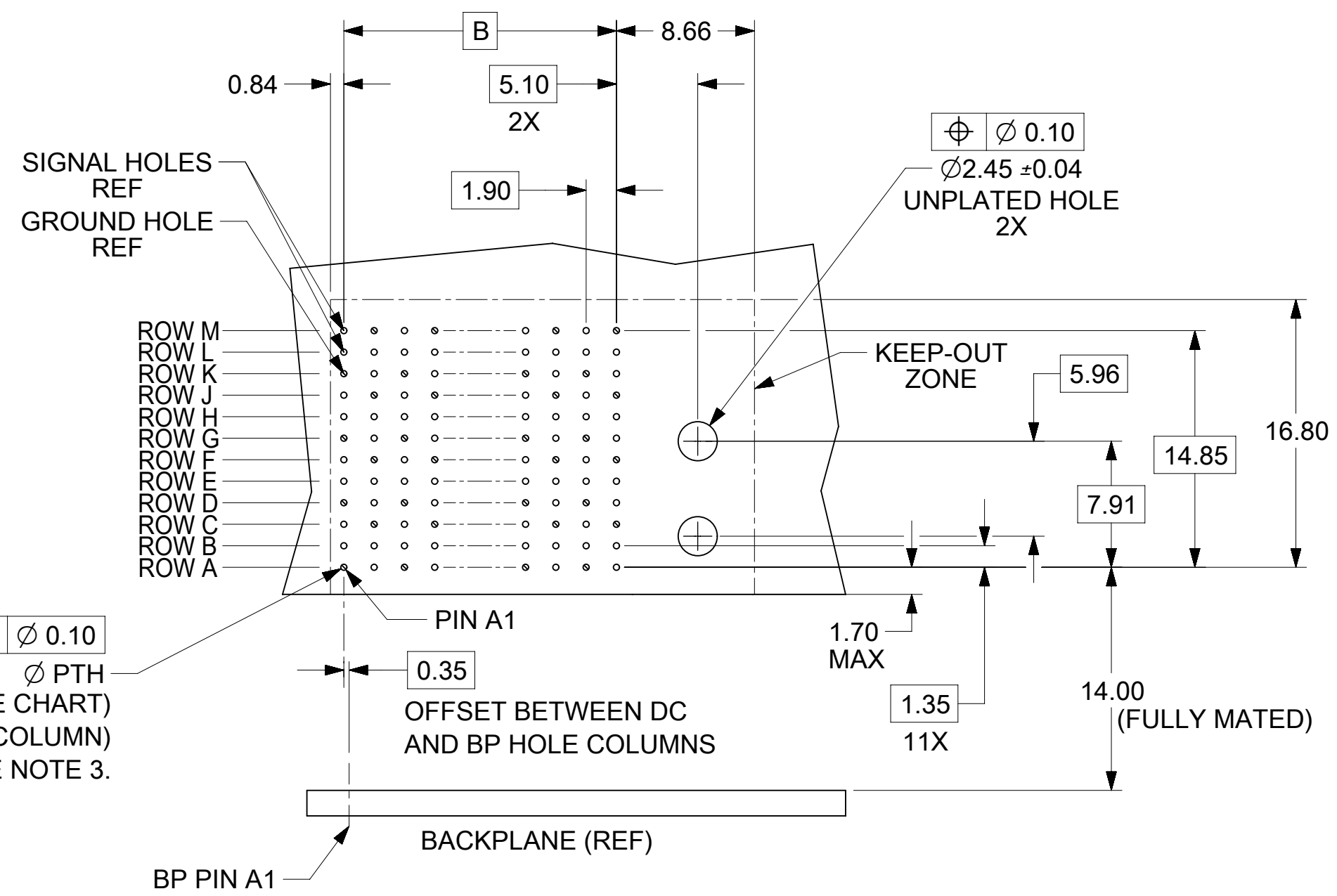
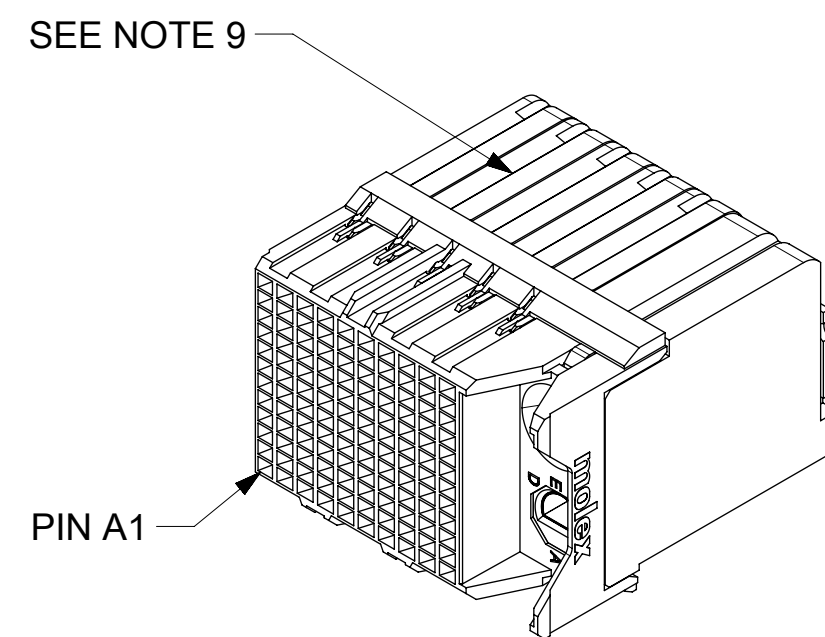
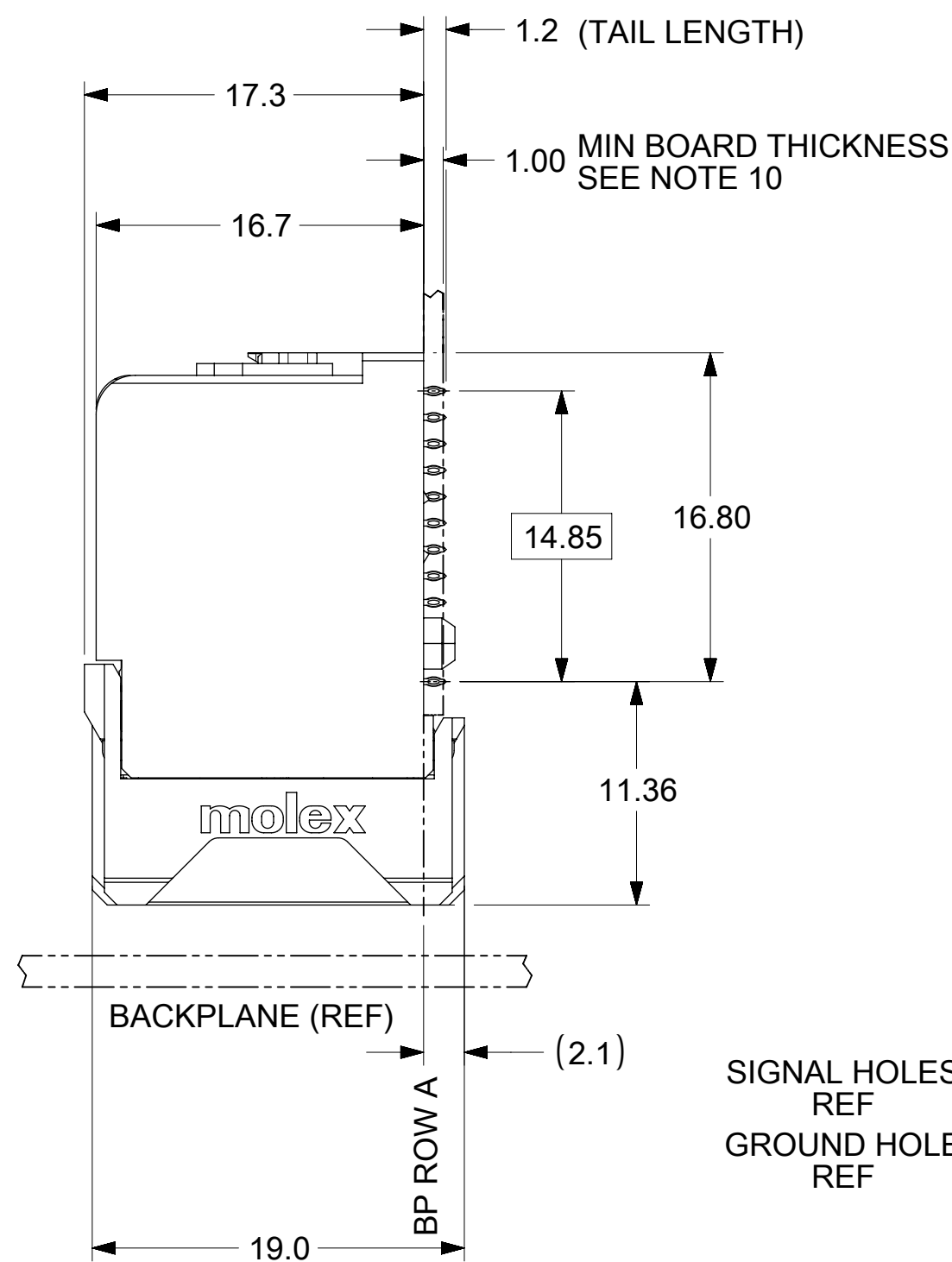


KEY SHOWN IN POSITION A



DAUGHTERCARD HOLE PATTERN (CONNECTOR SIDE)

NOTES:

1. MATERIALS: HOUSING - LIQUID CRYSTAL POLYMER (LCP), GLASS-FILLED, UL94V-0  
TERMINALS - HIGH PERFORMANCE COPPER ALLOY
2. FINISH: 30µIN MIN SELECTIVE GOLD IN CONTACT AREA, SELECTIVE TIN ON PCB TAILS. NICKEL OVERALL.
3. REFER TO MOLEX PRODUCT SPEC PS-76060-999 FOR PERFORMANCE SPECIFICATIONS AND ADDITIONAL PCB INFORMATION.
4. EACH SIGNAL WAFER CONTAINS 2 COLUMNS OF TERMINALS.
5. PRODUCT IS PACKAGED PER PK-70873-610.
6. THIS PART CONFORMS TO CLASS B REQUIREMENTS OF COSMETIC SPEC PS-45499-002.
7. REFER TO MOLEX SALES DRAWING SD-76155-003 FOR THE MATING HEADERS AND SD-76500-002 FOR THE MATING RAM CONNECTORS
8. REFER TO MOLEX PCB MOUNTING GUIDE AS-76060-990 FOR ANTIPAD AND ROUTING RECOMMENDATIONS.
9. PART NUMBER 76160-5120 SHOWN ON DRAWING. KEYING FEATURES WILL CHANGE WITH COLUMN SIZE.
10. MINIMUM BOARD THICKNESS IS 1.00 mm FOR COMPLIANT PIN FUNCTIONALITY.
11. WHEN USING MOLEX SUPPLIED #2-32 SCREW 73726-0000 (9.50mm ±0.38 THREADABLE SCREW LENGTH), THE MAXIMUM BOARD THICKNESS IS 4.4mm.
12. MARKING: LOCATED APPROXIMATELY AS SHOWN. PART NUMBER AND DATE CODE.

THIS DRAWING CONTAINS INFORMATION THAT IS PROPRIETARY TO MOLEX ELECTRONIC TECHNOLOGIES, LLC AND SHOULD NOT BE USED WITHOUT WRITTEN PERMISSION

DIMENSION UNITS	SCALE	CURRENT REV DESC: MIGRATED TO NX					
mm	NTS						
GENERAL TOLERANCES (UNLESS SPECIFIED)		<p><b>molex</b></p> <p>IMPACT 100 OHM DC 4 PAIR SIGNAL MODULE GUIDE RIGHT SALES DWG</p> <p>PRODUCT CUSTOMER DRAWING</p>					
ANGULAR TOL	± 0.5°						
4 PLACES	±						
3 PLACES	±						
2 PLACES	± 0.13						
1 PLACE	± 0.25						
0 PLACES	±	<p>INITIAL REVISION:</p> <p>DRWN: MCARRANZA 2007/07/11</p> <p>APPR: JLAURX 2007/07/11</p>					
DRAFT WHERE APPLICABLE MUST REMAIN WITHIN DIMENSIONS		THIRD ANGLE PROJECTION	DRAWING	SERIES	MATERIAL NUMBER	CUSTOMER	SHEET NUMBER
			C-SIZE	76160	SEE CHART	GENERAL MARKET	1 OF 2
				DOCUMENT NUMBER	DOC TYPE	DOC PART	REVISION
				SD-76160-004	PSD	001	G4

MATERIAL NUMBER	# OF COLUMNS	# OF DIFF PAIR	DIM "A" MAX	DIM "B"	PTH $\phi$
76160-**06	6	24	19.00	9.50	0.46 $\pm 0.04$
76160-**08	8	32	22.80	13.30	
76160-**10	10	40	26.60	17.10	
76160-**16	16	64	38.00	28.50	
76160-**06	6	24	19.00	9.50	0.39 $\pm 0.05$
76160-**38	8	32	22.80	13.30	
76160-**20	10	40	26.60	17.10	
76160-**26	16	64	38.00	28.50	

76160-\*\*\*\*

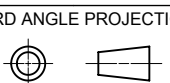
MODULE & TAIL PLATING TYPE  
5 = RIGHT GUIDED LEAD-FREE

POLARIZATION KEY ORIENTATION

0 = NO KEY  
1 = A    5 = E  
2 = B    6 = F  
3 = C    7 = G  
4 = D    8 = H

# OF COLUMNS  
06 = 6 COL 0.46 PTH  
08 = 8 COL 0.46 PTH  
10 = 10 COL 0.46 PTH  
16 = 16 COL 0.46 PTH  
20 = 10 COL 0.39 PTH  
26 = 16 COL 0.39 PTH  
38 = 8 COL 0.39 PTH  
36 = 6 COL 0.39 PTH

THIS DRAWING CONTAINS INFORMATION THAT IS PROPRIETARY TO MOLEX ELECTRONIC TECHNOLOGIES, LLC AND SHOULD NOT BE USED WITHOUT WRITTEN PERMISSION

DIMENSION UNITS		SCALE		CURRENT REV DESC: MIGRATED TO NX				<b>molex</b>							
mm		NTS													
GENERAL TOLERANCES (UNLESS SPECIFIED)				EC NO: 622030				IMPACT 100 OHM DC 4 PAIR SIGNAL MODULE GUIDE RIGHT SALES DWG							
ANGULAR TOL $\pm 0.5^\circ$				DRWN: SKRISHNAMU01 2019/07/30											
4 PLACES $\pm$				CHK'D: PRAMASWAMY 2019/08/07											
3 PLACES $\pm$				APPR: SHONG 2019/08/08				PRODUCT CUSTOMER DRAWING							
2 PLACES $\pm 0.13$				INITIAL REVISION:				DOCUMENT NUMBER							
1 PLACE $\pm 0.25$				DRWN: MCARRANZA 2007/07/11				SD-76160-004		DOC TYPE		DOC PART		REVISION	
0 PLACES $\pm$				APPR: JLAURX 2007/07/11				PSD		001		G4			
DRAFT WHERE APPLICABLE MUST REMAIN WITHIN DIMENSIONS				THIRD ANGLE PROJECTION		DRAWING		SERIES		MATERIAL NUMBER		CUSTOMER		SHEET NUMBER	
						C-SIZE		76160		SEE CHART		GENERAL MARKET		2 OF 2	

DOCUMENT STATUS	P1	RELEASE DATE	2019/08/08 22:00:44
-----------------	----	--------------	---------------------