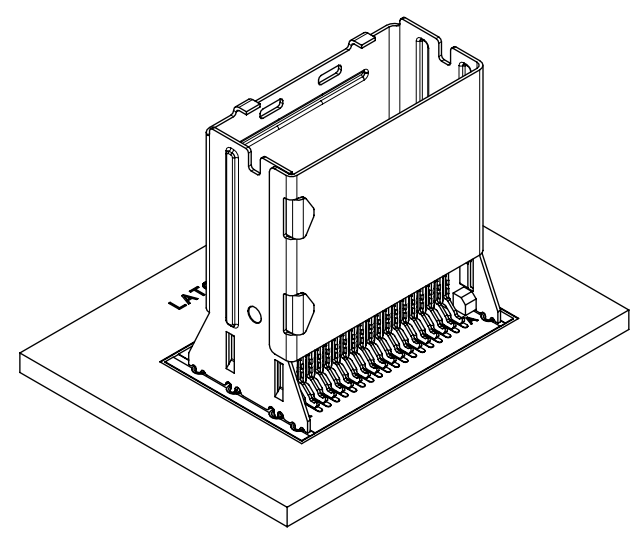
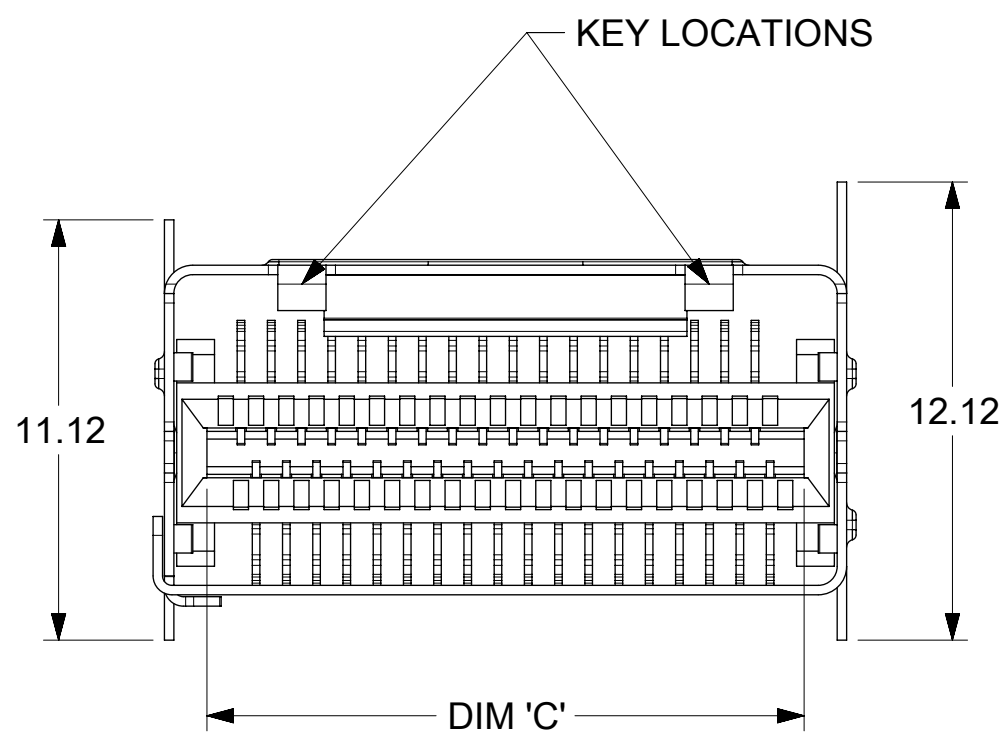
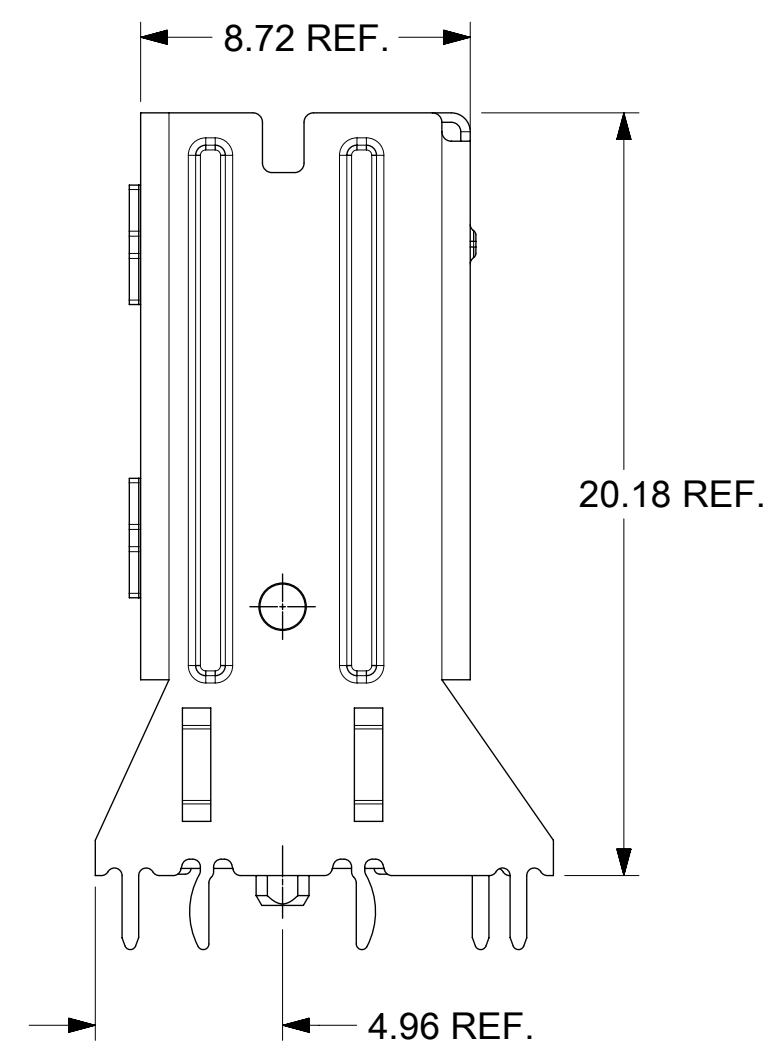
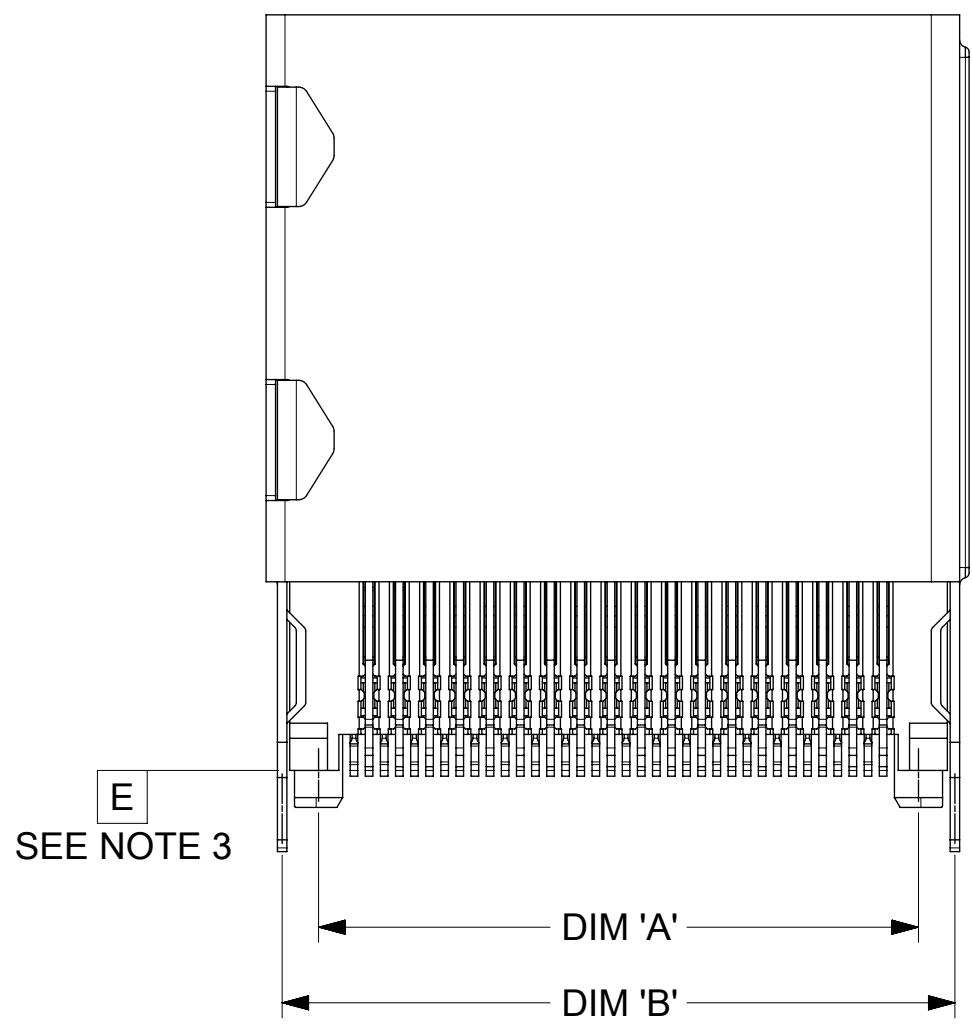


SMT

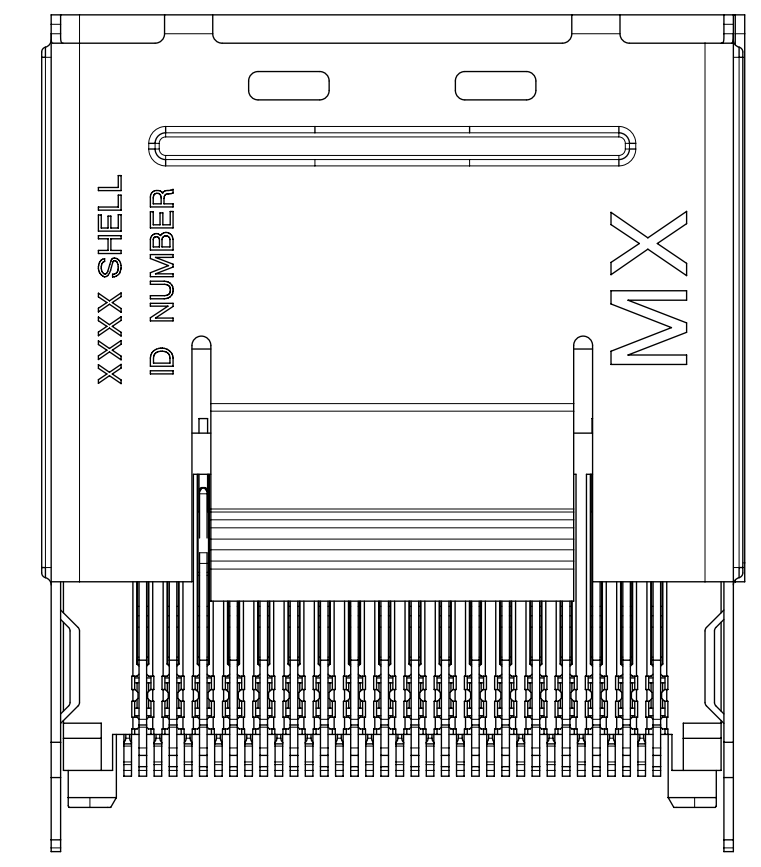


NOTES:

1. MATERIAL:
CONNECTOR:
HOUSING - HIGH TEMPERATURE THERMOPLASTIC GLASS FILLED, UL 94V-0, BLACK
TERMINALS - COPPER ALLOY
SHELL
NICKEL SILVER, C770, THICKNESS: 0.250/0.254
2. FINISH:
CONNECTOR
OPTION 1
CONTACT AREA - 0.38µm MIN GOLD OVER 2.54 µm NICKEL
SOLDER FOOT AREA - 2.54-5.09µm TIN OVER 1.27 µm NICKEL
OPTION 2
CONTACT AREA - 0.76µm MIN GOLD OVER 2.54 µm NICKEL
SOLDER FOOT AREA - 2.54-5.09µm TIN OVER 1.27 µm NICKEL
3. TERMINAL SOLDER FEET TO BE COPLANAR WITHIN 0.10 MEASURED FROM DATUM E
4. DATE CODE: 4 DIGIT (3 DIGIT DAY, 1 DIGIT YEAR) ON CONNECTOR ONLY
5. CIRCUIT IDENTIFIER: SEE APPROPRIATE INDUSTRY SPECIFICATION FOR LOCATION OF PIN 1
6. TO BE USED WITH THE FOLLOWING CABLE SERIES:
79575/74563/79576/74573/79536/74562/74569/74586
7. PACKAGED PER PACKAGING SPECIFICATION: PK-75783-001
8. CONFORMS TO PRODUCT SPECIFICATION: PS-75783-001
9. PROCESS PER APPLICATION SPECIFICATION: AS-75783-001
10. THIS PART CONFORMS TO CLASS C REQUIREMENTS OF COSMETIC SPEC PS-45499-002



36 CIRCUIT RETENTION FIT SHELL OPTION SHOWN



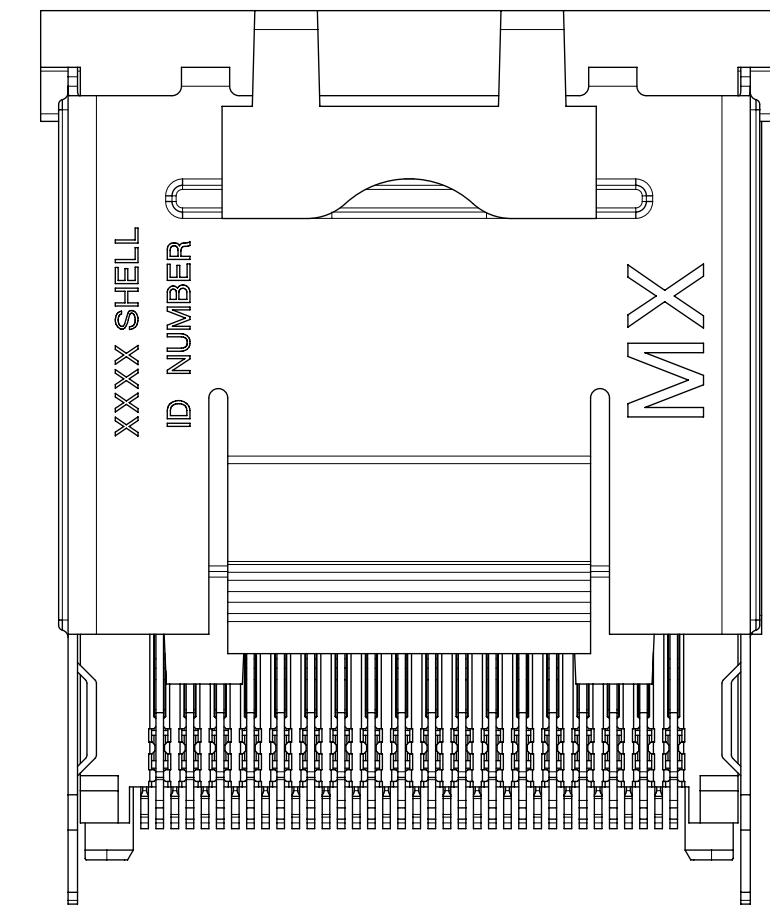
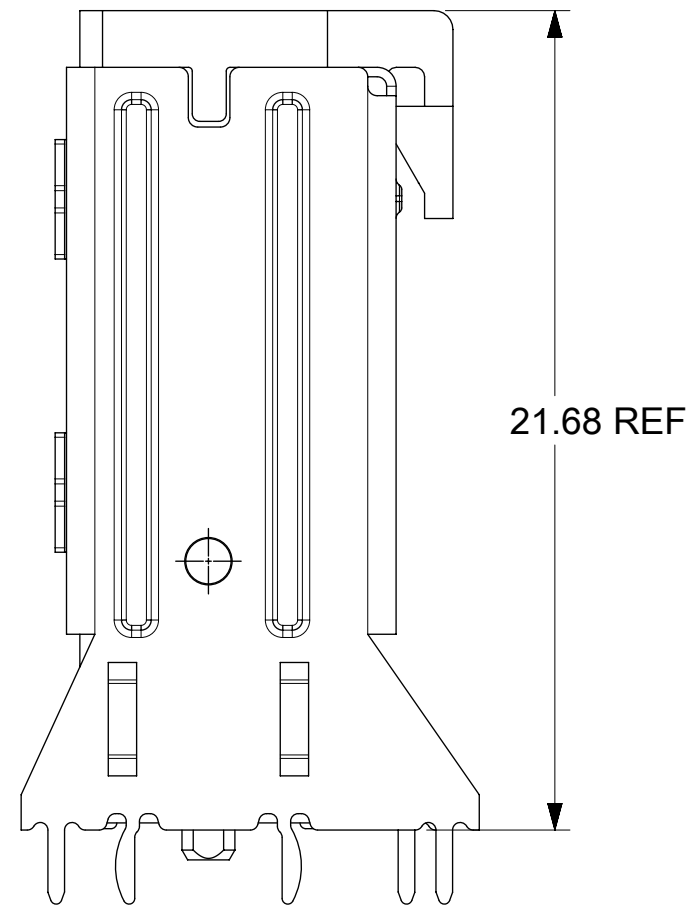
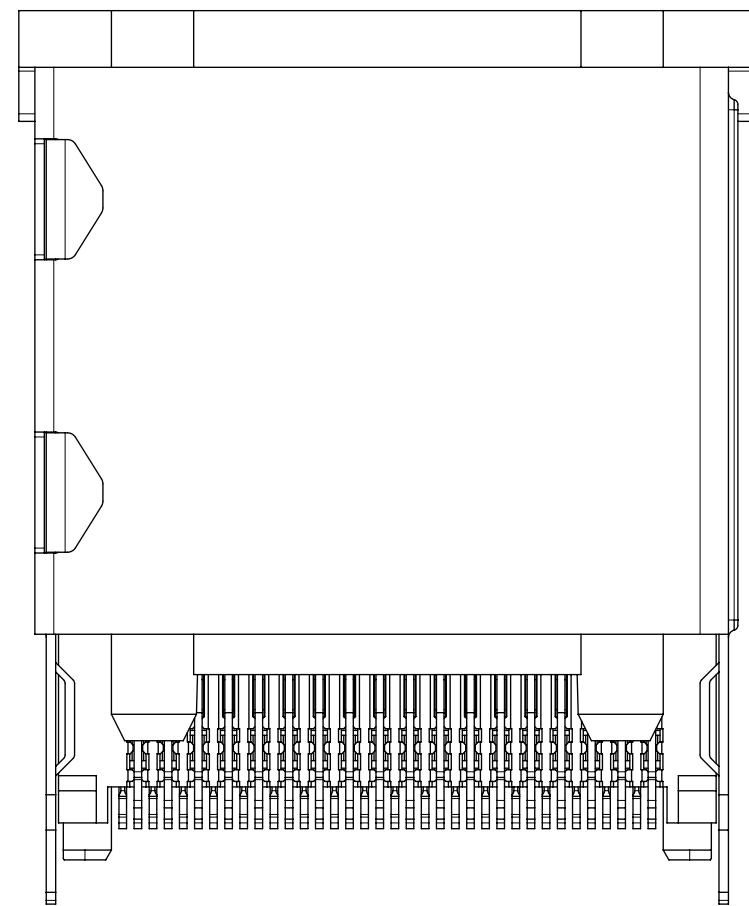
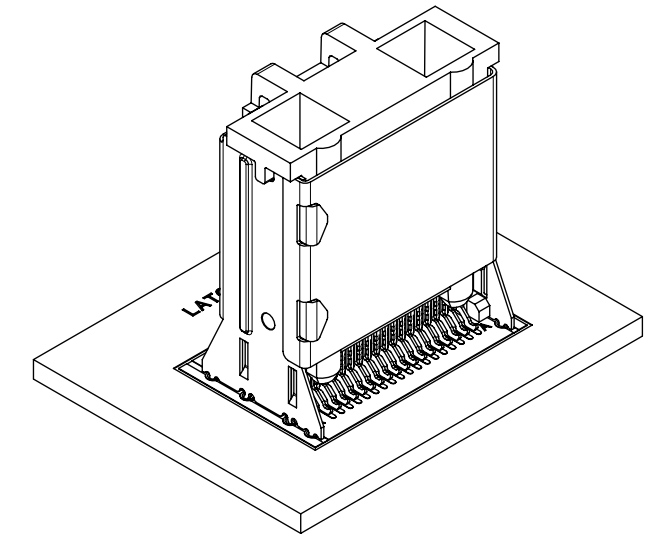
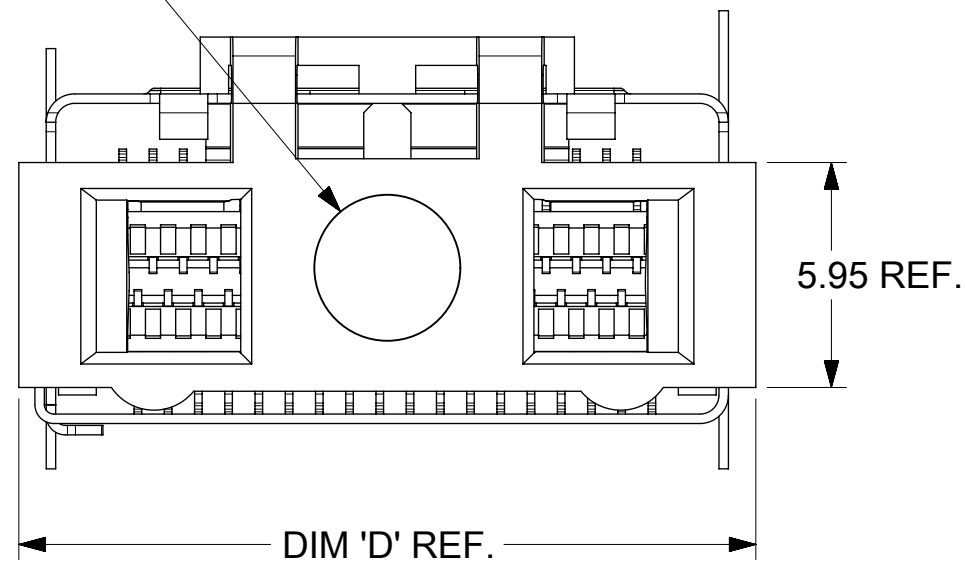
| CIRCUIT SIZE | DIM 'A' | DIM 'B' | DIM 'C' |
|--------------|---------|---------|---------|
| 26 | 12.00 | 13.80 | 11.80 |
| 36 | 16.00 | 17.80 | 15.80 |
| 50 | 21.60 | 23.40 | 21.40 |
| 68 | 28.80 | 30.60 | 28.60 |

iPass™ IS A TRADEMARK OF MOLEX

| | | | | | | | |
|---------|--|---|------------------------|---------------------------------------|----------------|---------------------------------------|----------|
| SYMBOLS | | THIS DRAWING CONTAINS INFORMATION THAT IS PROPRIETARY TO MOLEX ELECTRONIC TECHNOLOGIES, LLC AND SHOULD NOT BE USED WITHOUT WRITTEN PERMISSION | | CURRENT REV DESC: MIGRATED TO NX | | | |
| ▽ = 0 | mm | SCALE | 5:1 | GENERAL TOLERANCES (UNLESS SPECIFIED) | | | |
| ▽ = 0 | ANGULAR TOL | | ± 0.5° | EC NO: 666196 | | I-PASS VERT CONNECTOR | |
| ▽ = 0 | 4 PLACES | | ± | DRWN: BBEGALIMADHU 2018/03/05 | | INTERNAL ASSY W/SHELL 0.8MM PITCH I/O | |
| ▽ = 0 | 3 PLACES | | ± | CHK'D: JKACHLIC 2021/06/21 | | PRODUCT CUSTOMER DRAWING | |
| ▽ = 0 | 2 PLACES | | ± 0.13 | APPR: JKACHLIC 2021/06/21 | | DOCUMENT NUMBER | |
| ▽ = 0 | 1 PLACE | | ± 0.25 | INITIAL REVISION: | | DOC TYPE DOC PART REVISION | |
| ▽ = 0 | 0 PLACES | | ± | DRWN: KLANG 2005/04/15 | | SD-75784-001 | |
| ▽ = 0 | DRAFT WHERE APPLICABLE MUST REMAIN WITHIN DIMENSIONS | | THIRD ANGLE PROJECTION | DRAWING | SERIES | MATERIAL NUMBER | CUSTOMER |
| ▽ = 0 | C-SIZE | | 75784 | SEE CHART | GENERAL MARKET | PSD | 001 |
| | | SHEET NUMBER | | 1 OF 13 | | | |

ASSEMBLY WITH PRE-POSITIONING DEVICE

PICK & PLACE NOZZLE AREA



36 CIRCUIT RETENTION FIT SHOWN

NOTES:

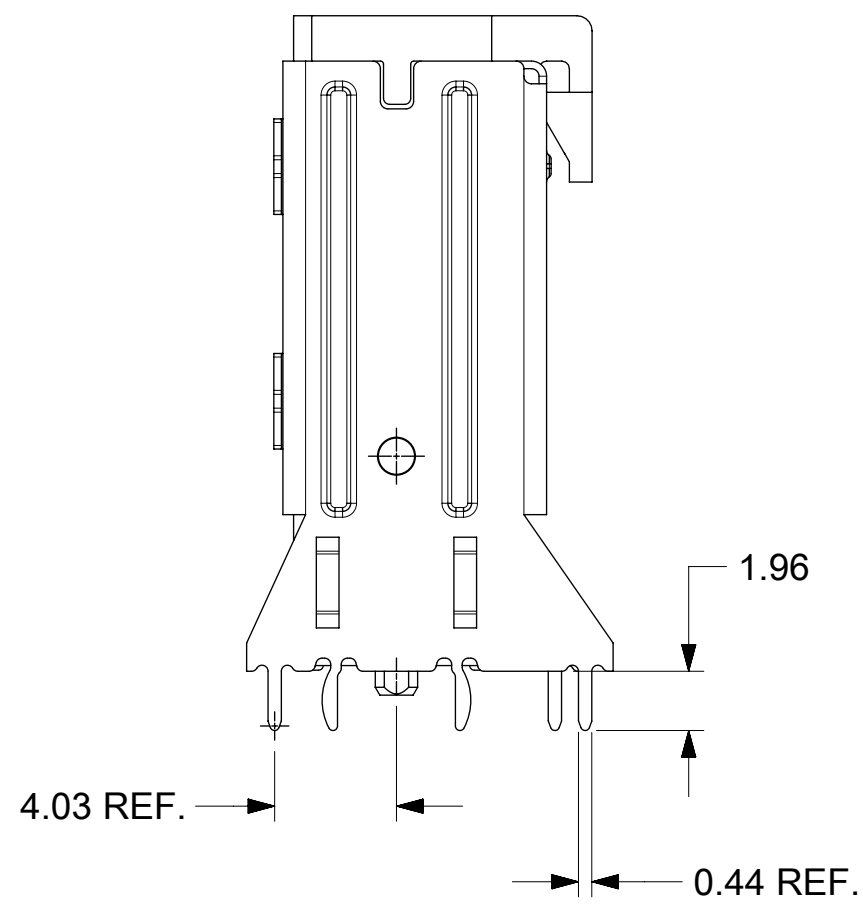
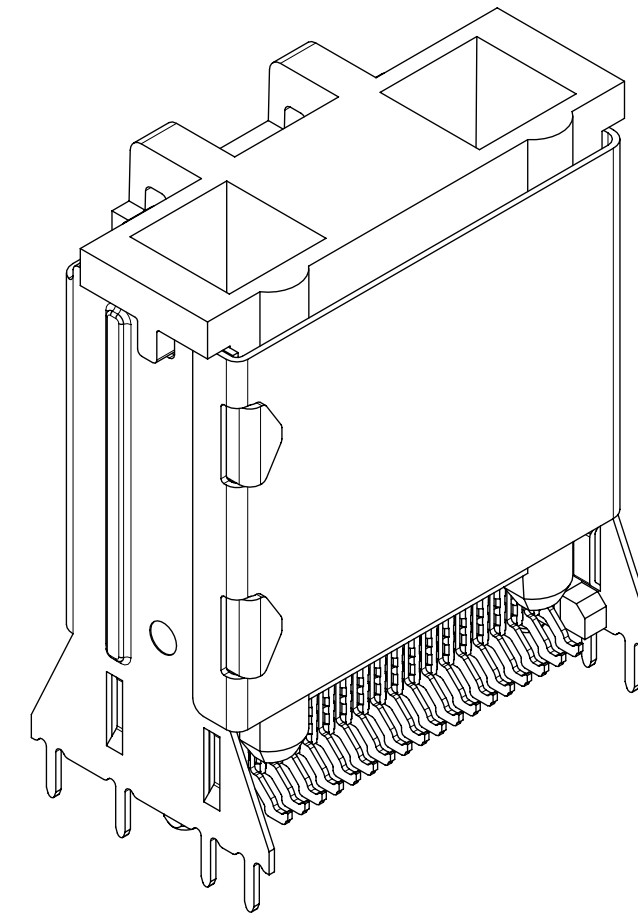
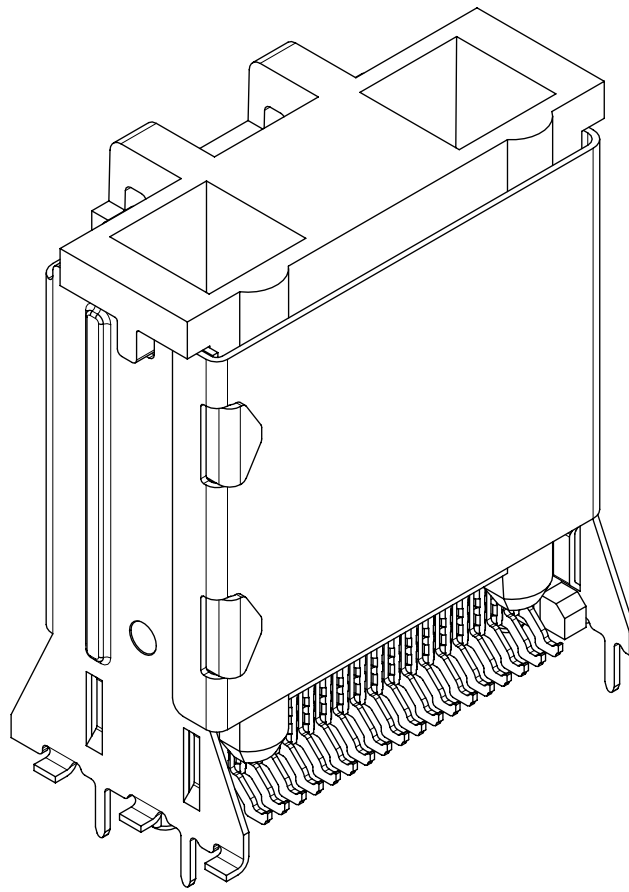
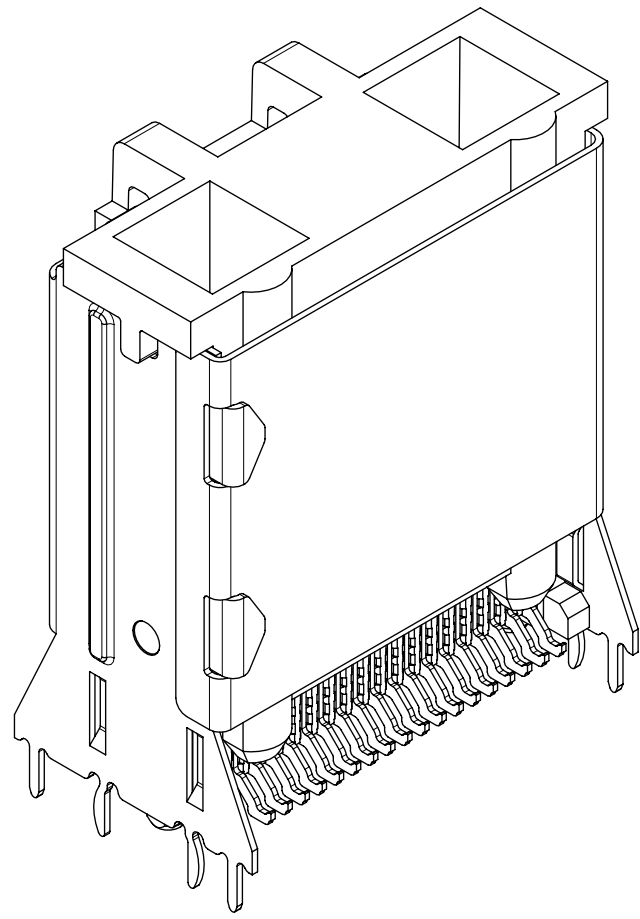
1. PICK AND PLACE LOCATION DEFINED ON APPLICATION SPECIFICATION AS-75783-001
2. PACKAGING CONSISTS OF CONNECTOR AND SHELL WITH A PRE-POSITIONING PICK AND PLACE DEVICE THAT ARE PACKAGED IN "TAPE AND REEL" FOR ROBOTIC PICK AND PLACE.

iPass™ IS A TRADEMARK OF MOLEX

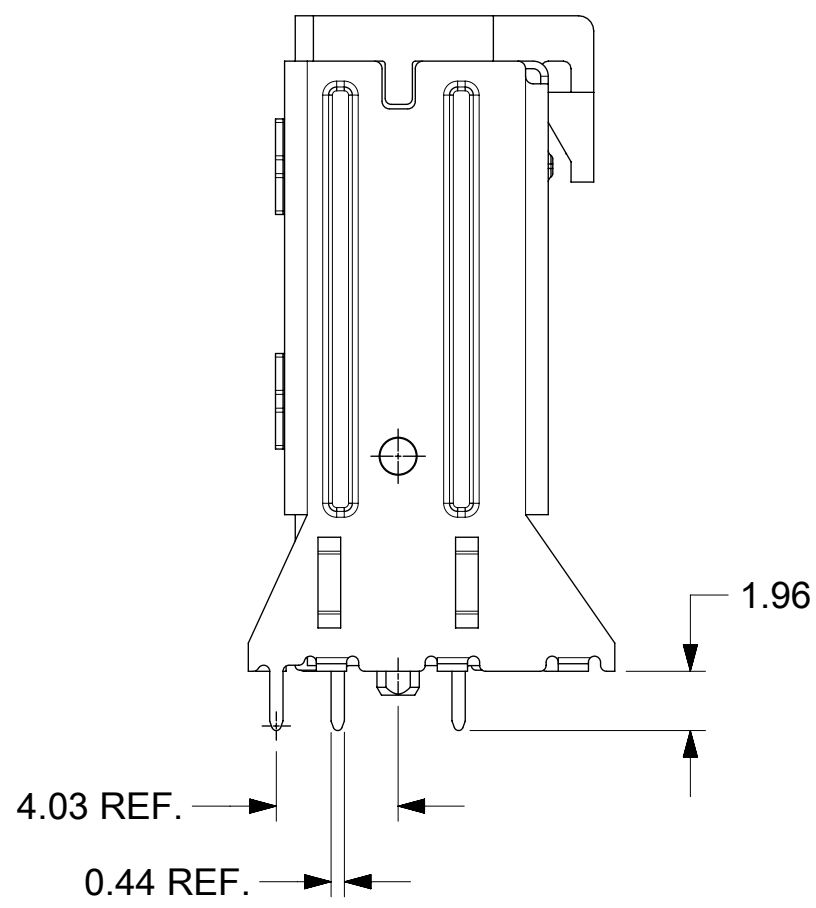
| CIRCUIT SIZE | DIM 'D' |
|--------------|---------|
| 26 | 15.50 |
| 36 | 19.50 |
| 50 | 25.10 |
| 68 | 32.30 |

| | | | | | |
|-----------------|--|---|------------------------|----------------------------------|--|
| SYMBOLS | | THIS DRAWING CONTAINS INFORMATION THAT IS PROPRIETARY TO MOLEX ELECTRONIC TECHNOLOGIES, LLC AND SHOULD NOT BE USED WITHOUT WRITTEN PERMISSION | | CURRENT REV DESC: MIGRATED TO NX | |
| ▽ = 0 | DIMENSION UNITS | mm | SCALE | 5:1 | EC NO: 666196 DRWN: BBEGALIMADHU 2018/03/05 CHK'D: JKACHLIC 2021/06/21 APPR: JKACHLIC 2021/06/21 INITIAL REVISION: DRWN: KLANG 2005/04/15 APPR: RNELSON 2005/04/18 |
| ▽ = 0 | GENERAL TOLERANCES (UNLESS SPECIFIED) | | | | |
| ▽ = 0 | ANGULAR TOL ± 0.5° | | | | |
| ▽ = 0 | 4 PLACES ± | | | | |
| ▽ = 0 | 3 PLACES ± | | | | |
| ▽ = 0 | 2 PLACES ± 0.13 | | | | |
| ▽ = 0 | 1 PLACE ± 0.25 | | | | |
| ▽ = 0 | 0 PLACES ± | | | | |
| ▽ = 0 | DRAFT WHERE APPLICABLE MUST REMAIN WITHIN DIMENSIONS | | THIRD ANGLE PROJECTION | DRAWING | SERIES |
| ▽ = 0 | | | | C-SIZE | 75784 |
| DOCUMENT STATUS | | P1 | RELEASE DATE | 2021/06/21 03:48:56 | DOCUMENT NUMBER |
| | | | | | SD-75784-001 |
| | | | | | DOC TYPE |
| | | | | | PSD |
| | | | | | DOC PART |
| | | | | | 001 |
| | | | | | REVISION |
| | | | | | D5 |
| | | | | | MATERIAL NUMBER |
| | | | | | SEE CHART |
| | | | | | CUSTOMER |
| | | | | | GENERAL MARKET |
| | | | | | SHEET NUMBER |
| | | | | | 2 OF 13 |

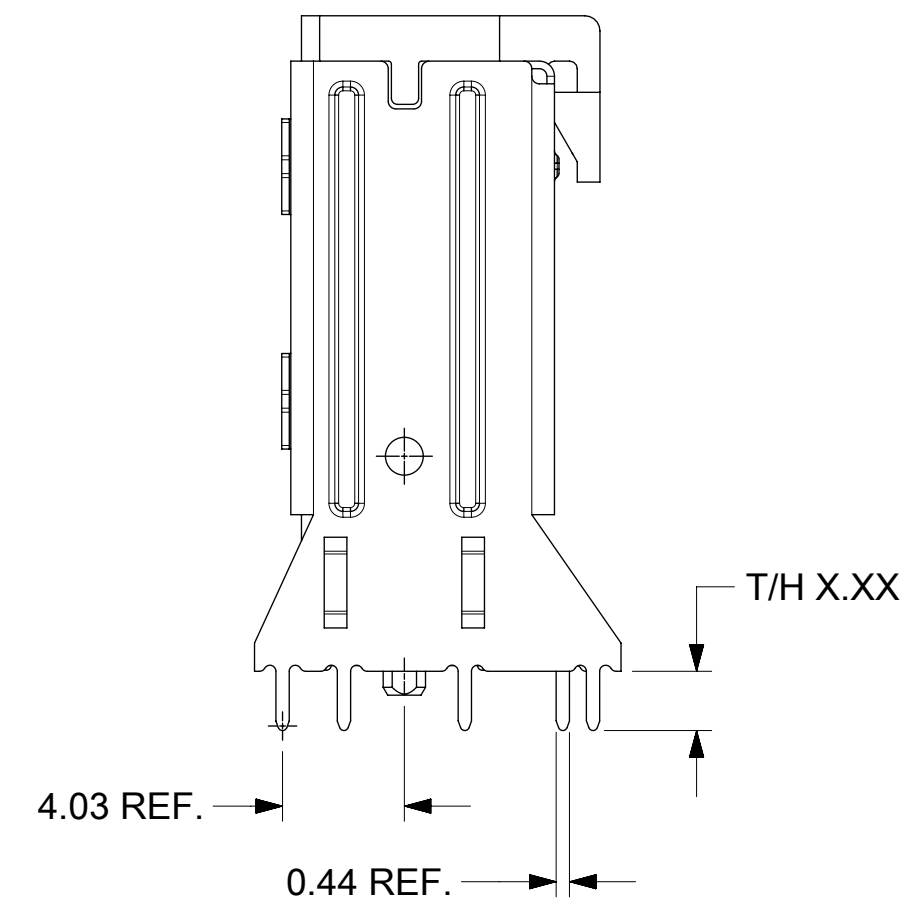
SHELL PCB INTERFACE



**RETENTION-FIT
SHELL OPTION**



SMT SHELL OPTION



**THRU-HOLE SHELL OPTION
SEE TABLE FOR LENGTH
(X.XX DENOTES LENGTH)**

**RECOMMENDED PCB THICKNESS
FOR SPECIFIED TAIL LENGTH**

| TAIL LENGTH | PCB THICKNESS |
|-------------|---------------|
| 1.96 | 1.57 (.062) |
| 2.79 | 2.36 (.093) |
| 3.18 | 2.79 (.110) |
| 3.56 | 3.18 (.125) |

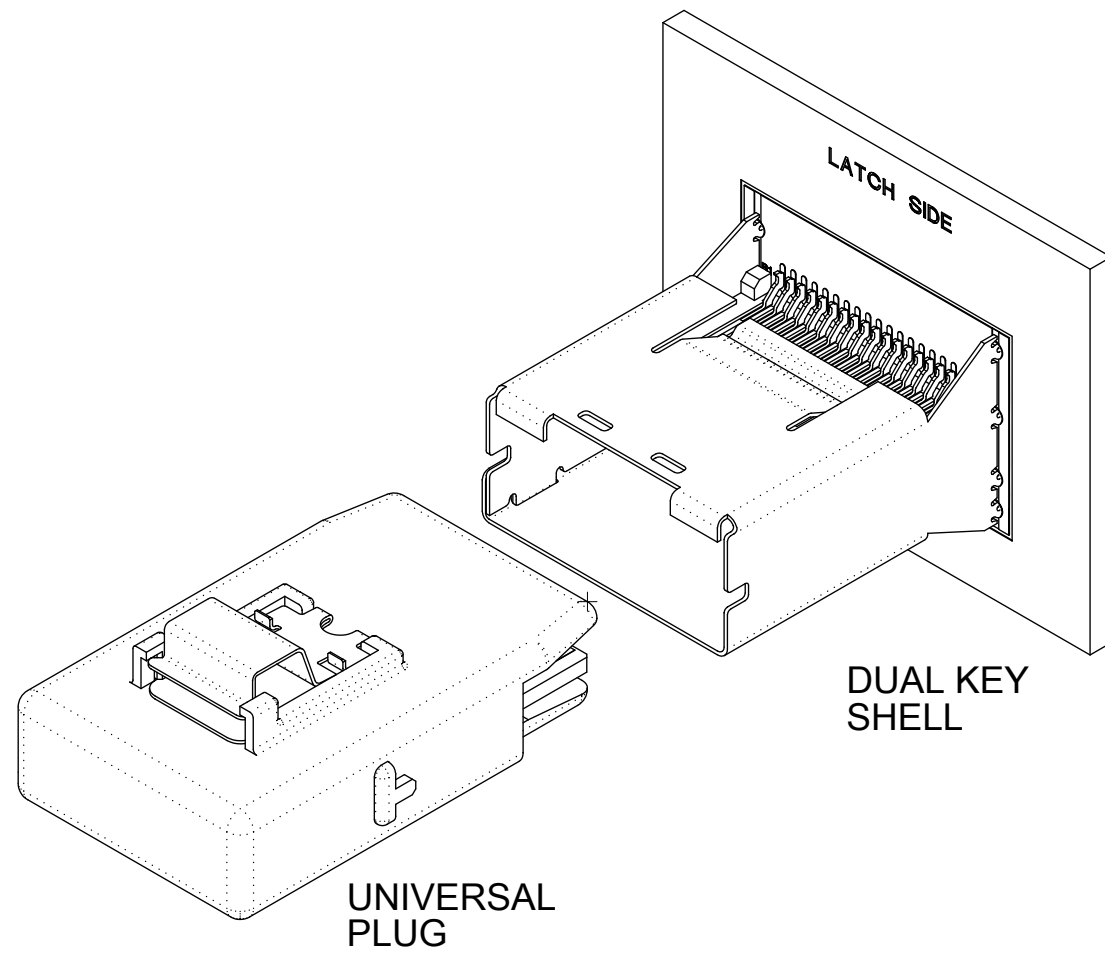
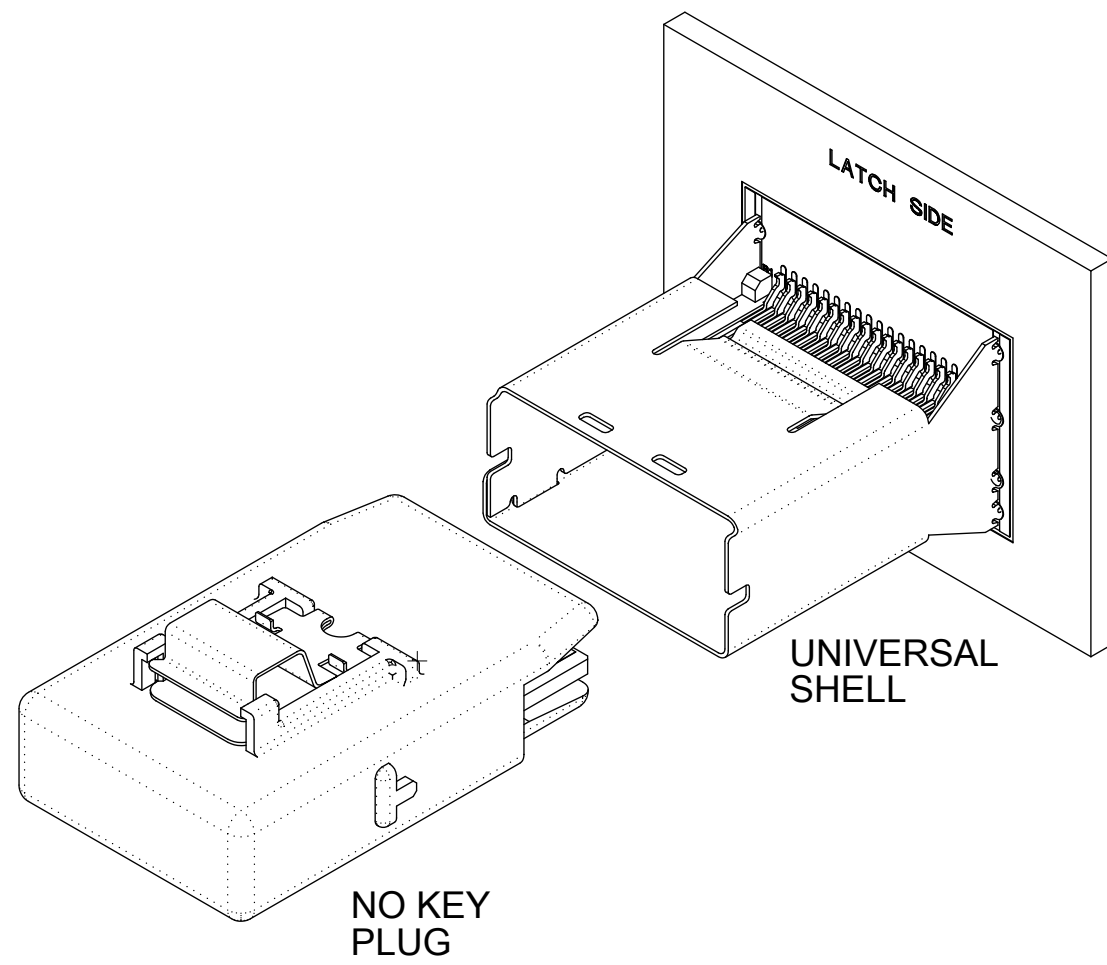
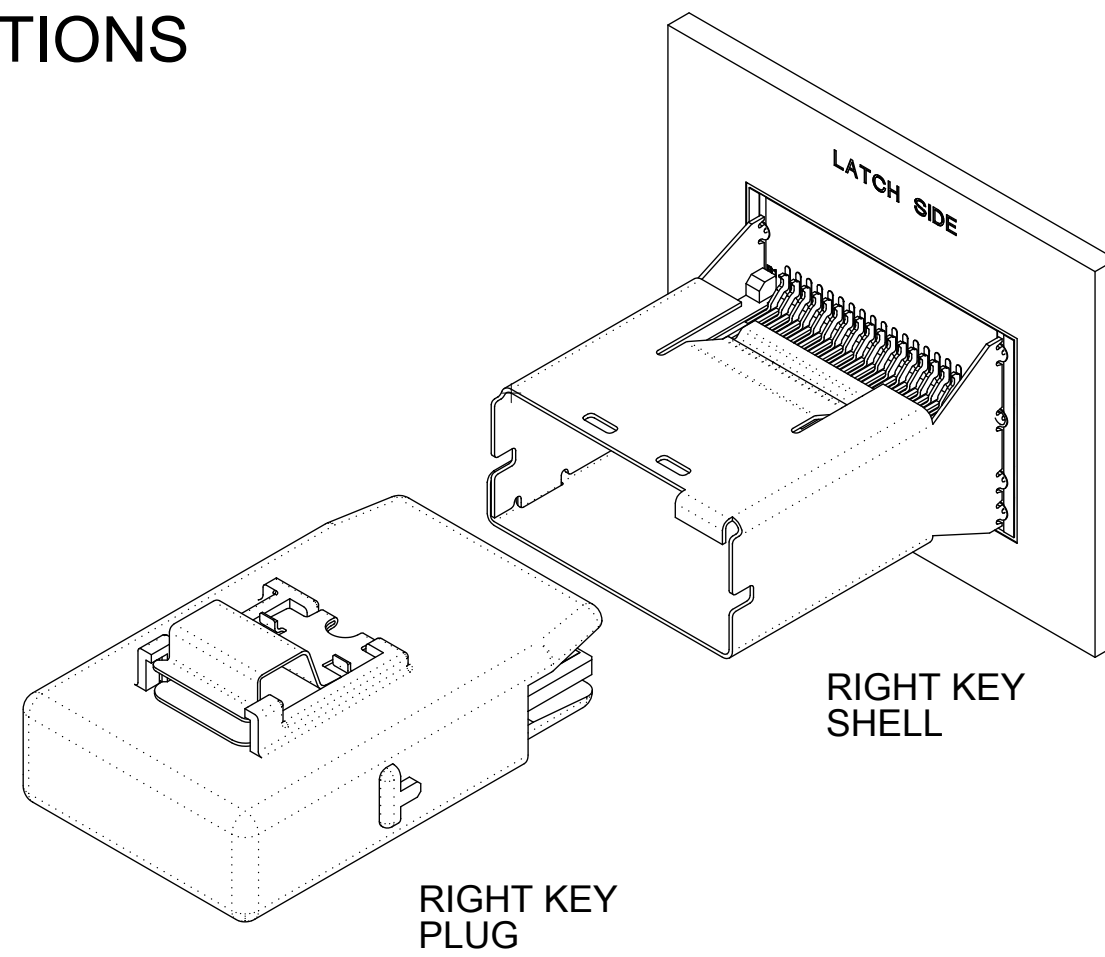
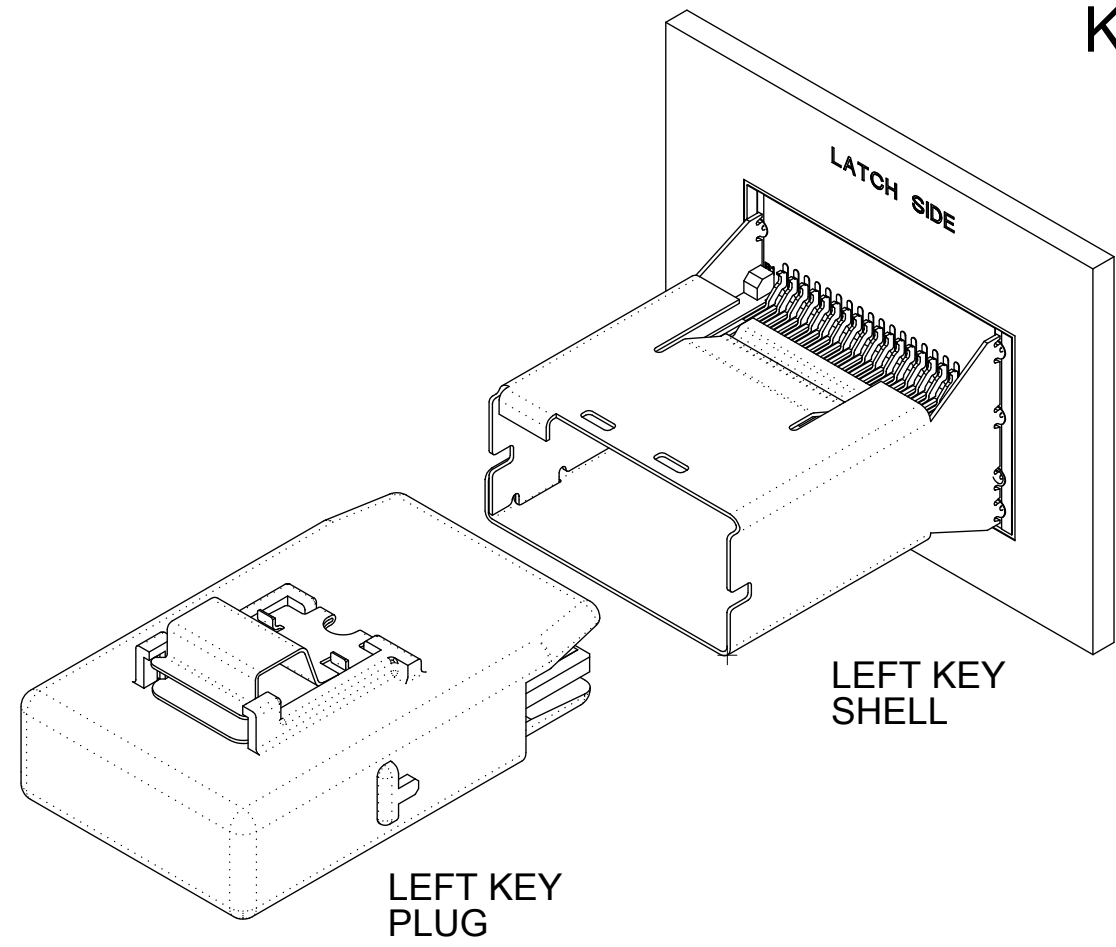
NOTE:
 RETENTION FIT DENOTES TAILS THAT OFFER RETENTION TO PCB DURING REFLOW PROCESS
 SMT DENOTES SURFACE MOUNT TERMINATION
 T/H X.XX DENOTES THRU-HOLE TAIL OF LENGTH X.XX

iPass™ IS A TRADEMARK OF MOLEX

| | | | | | | | | | |
|---|---|---|---|--|--|--|--|--|--|
| SYMBOLS ▽ = 0 ▽ = 0 ▽ = 0 ▽ = 0 ▽ = 0 ▽ = 0 ▽ = 0 ▽ = 0 ▽ = 0 ▽ = 0 ▽ = 0 | THIS DRAWING CONTAINS INFORMATION THAT IS PROPRIETARY TO MOLEX ELECTRONIC TECHNOLOGIES, LLC AND SHOULD NOT BE USED WITHOUT WRITTEN PERMISSION | | DIMENSION UNITS: mm SCALE: 4:1 | | CURRENT REV DESC: MIGRATED TO NX | | | | |
| | GENERAL TOLERANCES (UNLESS SPECIFIED) ANGULAR TOL ± 0.5° | | EC NO: 666196 DRWN: BBEGALIMADHU 2018/03/05 CHK'D: JKACHLIC 2021/06/21 APPR: JKACHLIC 2021/06/21 | | I-PASS VERT CONNECTOR INTERNAL ASSY W/SHELL 0.8MM PITCH I/O | | | | |
| 4 PLACES ± 3 PLACES ± 2 PLACES ± 0.13 1 PLACE ± 0.25 0 PLACES ± | | INITIAL REVISION: DRWN: KLANG 2005/04/15 APPR: RNELSON 2005/04/18 | | PRODUCT CUSTOMER DRAWING | | DOCUMENT NUMBER: SD-75784-001 | | DOC TYPE: PSD DOC PART: 001 REVISION: D5 | |
| DRAFT WHERE APPLICABLE MUST REMAIN WITHIN DIMENSIONS | | THIRD ANGLE PROJECTION | | DRAWING: C-SIZE SERIES: 75784 | | MATERIAL NUMBER: SEE CHART CUSTOMER: GENERAL MARKET | | SHEET NUMBER: 3 OF 13 | |

| | | | | |
|-----------------|----|--------------|------------|----------|
| DOCUMENT STATUS | P1 | RELEASE DATE | 2021/06/21 | 03:48:56 |
|-----------------|----|--------------|------------|----------|

KEYING OPTIONS



| | UNIVERSAL SHELL | LEFT KEY SHELL | RIGHT KEY SHELL | DUAL KEY SHELL |
|----------------|-----------------|----------------|-----------------|----------------|
| NO KEY PLUG | YES | NO | NO | NO |
| LEFT KEY PLUG | YES | YES | NO | NO |
| RIGHT KEY PLUG | YES | NO | YES | NO |
| UNIVERSAL PLUG | YES | YES | YES | YES |

iPass™ IS A TRADEMARK OF MOLEX

| | | | |
|--|--|--|--|
| SYMBOLS THIS DRAWING CONTAINS INFORMATION THAT IS PROPRIETARY TO MOLEX ELECTRONIC TECHNOLOGIES, LLC AND SHOULD NOT BE USED WITHOUT WRITTEN PERMISSION DIMENSION UNITS: mm SCALE: 2:1 CURRENT REV DESC: MIGRATED TO NX EC NO: 666196 DRWN: BBEGALIMADHU 2018/03/05 CHK'D: JKACHLIC 2021/06/21 APPR: JKACHLIC 2021/06/21 INITIAL REVISION: DRWN: KLANG 2005/04/15 APPR: RNELSON 2005/04/18 DRAFT WHERE APPLICABLE MUST REMAIN WITHIN DIMENSIONS THIRD ANGLE PROJECTION DRAWING SERIES: C-SIZE 75784 | | I-PASS VERT CONNECTOR INTERNAL ASSY W/SHELL 0.8MM PITCH I/O PRODUCT CUSTOMER DRAWING DOCUMENT NUMBER: SD-75784-001 DOC TYPE: PSD DOC PART: 001 REVISION: D5 MATERIAL NUMBER: SEE CHART CUSTOMER: GENERAL MARKET SHEET NUMBER: 4 OF 13 | |
|--|--|--|--|

26 CIRCUIT ITEM NUMBERS

| CIRCUIT SIZE | ITEM NUMBER | PLATING OPTION | SHELL PCB OPTION | SHELL KEY OPTION |
|--------------|-------------|----------------|------------------|------------------|
| 26 | 75784-0007 | OPTION 1 | RETENTION | LEFT |
| 26 | 75784-0008 | OPTION 1 | RETENTION | RIGHT |
| 26 | 75784-0012 | OPTION 1 | SMT | DUAL |
| 26 | 75784-0019 | OPTION 2 | RETENTION | LEFT |
| 26 | 75784-0020 | OPTION 2 | RETENTION | RIGHT |
| 26 | 75784-0021 | OPTION 2 | RETENTION | DUAL |
| 26 | 75784-0022 | OPTION 2 | SMT | LEFT |
| 26 | 75784-0023 | OPTION 2 | SMT | RIGHT |
| 26 | 75784-0024 | OPTION 2 | SMT | DUAL |
| 26 | 75784-0025 | OPTION 1 | RETENTION | UNIVERSAL |
| 26 | 75784-0026 | OPTION 1 | SMT | UNIVERSAL |
| 26 | 75784-0028 | OPTION 2 | SMT | UNIVERSAL |
| 26 | 75784-0029 | OPTION 1 | T/H 1.96 | LEFT |
| 26 | 75784-0030 | OPTION 1 | T/H 1.96 | RIGHT |
| 26 | 75784-0031 | OPTION 1 | T/H 1.96 | DUAL |
| 26 | 75784-0032 | OPTION 1 | T/H 1.96 | UNIVERSAL |
| 26 | 75784-0033 | OPTION 2 | T/H 1.96 | LEFT |
| 26 | 75784-0034 | OPTION 2 | T/H 1.96 | RIGHT |
| 26 | 75784-0035 | OPTION 2 | T/H 1.96 | DUAL |

| CIRCUIT SIZE | ITEM NUMBER | PLATING OPTION | SHELL PCB OPTION | SHELL KEY OPTION |
|--------------|-------------|----------------|------------------|------------------|
| 26 | 75784-0037 | OPTION 1 | T/H 2.79 | LEFT |
| 26 | 75784-0038 | OPTION 1 | T/H 2.79 | RIGHT |
| 26 | 75784-0039 | OPTION 1 | T/H 2.79 | DUAL |
| 26 | 75784-0040 | OPTION 1 | T/H 2.79 | UNIVERSAL |
| 26 | 75784-0041 | OPTION 2 | T/H 2.79 | LEFT |
| 26 | 75784-0042 | OPTION 2 | T/H 2.79 | RIGHT |
| 26 | 75784-0043 | OPTION 2 | T/H 2.79 | DUAL |
| 26 | 75784-0045 | OPTION 1 | T/H 3.18 | LEFT |
| 26 | 75784-0046 | OPTION 1 | T/H 3.18 | RIGHT |
| 26 | 75784-0047 | OPTION 1 | T/H 3.18 | DUAL |
| 26 | 75784-0048 | OPTION 1 | T/H 3.18 | UNIVERSAL |
| 26 | 75784-0049 | OPTION 2 | T/H 3.18 | LEFT |
| 26 | 75784-0050 | OPTION 2 | T/H 3.18 | RIGHT |
| 26 | 75784-0051 | OPTION 2 | T/H 3.18 | DUAL |
| 26 | 75784-0052 | OPTION 2 | T/H 3.18 | UNIVERSAL |

iPass™ IS A TRADEMARK OF MOLEX

| | | | | | | | | | | | | | | |
|---|--------------------|-------|--|----------------------------|--------|--------------------------|-------------------------------|---------|-----------------|--|---------|----------|----------|--------------|
| THIS DRAWING CONTAINS INFORMATION THAT IS PROPRIETARY TO MOLEX ELECTRONIC TECHNOLOGIES, LLC AND SHOULD NOT BE USED WITHOUT WRITTEN PERMISSION | | | | | | | | | | | | | | |
| SYMBOLS ▽ = 0 ▽ = 0 ▽ = 0 ▽ = 0 ▽ = 0 ▽ = 0 ▽ = 0 ▽ = 0 ▽ = 0 ▽ = 0 ▽ = 0 ▽ = 0 | DIMENSION UNITS | SCALE | CURRENT REV DESC: MIGRATED TO NX | | | | | | | | | | | |
| | mm | 1:1 | GENERAL TOLERANCES (UNLESS SPECIFIED) | | | | | | | | | | | |
| | ANGULAR TOL ± 0.5° | | | EC NO: 666196 | | | DRWN: BBEGALIMADHU 2018/03/05 | | | I-PASS VERT CONNECTOR INTERNAL ASSY W/SHELL 0.8MM PITCH I/O | | | | |
| | 4 PLACES ± | | | CHK'D: JKACHLIC 2021/06/21 | | | APPR: JKACHLIC 2021/06/21 | | | | | | | |
| 3 PLACES ± | | | INITIAL REVISION: | | | | | | DOCUMENT NUMBER | | | DOC TYPE | DOC PART | REVISION |
| 2 PLACES ± 0.13 | | | DRWN: KLANG 2005/04/15 | | | APPR: RNELSON 2005/04/18 | | | SD-75784-001 | | | PSD | 001 | D5 |
| 1 PLACE ± 0.25 | | | DRAFT WHERE APPLICABLE MUST REMAIN WITHIN DIMENSIONS | | | THIRD ANGLE PROJECTION | | DRAWING | SERIES | MATERIAL NUMBER | | CUSTOMER | | SHEET NUMBER |
| 0 PLACES ± | | | | | C-SIZE | 75784 | SEE CHART | | GENERAL MARKET | | 5 OF 13 | | | |

36 CIRCUIT ITEM NUMBERS

| CIRCUIT SIZE | ITEM NUMBER | PLATING OPTION | SHELL PCB OPTION | SHELL KEY OPTION |
|--------------|-------------|----------------|------------------|------------------|
| 36 | 75784-0107 | OPTION 1 | RETENTION | LEFT |
| 36 | 75784-0108 | OPTION 1 | RETENTION | RIGHT |
| 36 | 75784-0109 | OPTION 1 | RETENTION | DUAL |
| 36 | 75784-0110 | OPTION 1 | SMT | LEFT |
| 36 | 75784-0111 | OPTION 1 | SMT | RIGHT |
| 36 | 75784-0112 | OPTION 1 | SMT | DUAL |
| 36 | 75784-0119 | OPTION 2 | RETENTION | LEFT |
| 36 | 75784-0120 | OPTION 2 | RETENTION | RIGHT |
| 36 | 75784-0121 | OPTION 2 | RETENTION | DUAL |
| 36 | 75784-0125 | OPTION 1 | RETENTION | UNIVERSAL |
| 36 | 75784-0126 | OPTION 1 | SMT | UNIVERSAL |
| 36 | 75784-0127 | OPTION 2 | RETENTION | UNIVERSAL |
| 36 | 75784-0130 | OPTION 1 | T/H 1.96 | RIGHT |
| 36 | 75784-0131 | OPTION 1 | T/H 1.96 | DUAL |
| 36 | 75784-0132 | OPTION 1 | T/H 1.96 | UNIVERSAL |
| 36 | 75784-0135 | OPTION 2 | T/H 1.96 | DUAL |
| 36 | 75784-0136 | OPTION 2 | T/H 1.96 | UNIVERSAL |

| CIRCUIT SIZE | ITEM NUMBER | PLATING OPTION | SHELL PCB OPTION | SHELL KEY OPTION |
|--------------|-------------|----------------|------------------|------------------|
| 36 | 75784-0137 | OPTION 1 | T/H 2.79 | LEFT |
| 36 | 75784-0138 | OPTION 1 | T/H 2.79 | RIGHT |
| 36 | 75784-0139 | OPTION 1 | T/H 2.79 | DUAL |
| 36 | 75784-0140 | OPTION 1 | T/H 2.79 | UNIVERSAL |
| 36 | 75784-0141 | OPTION 2 | T/H 2.79 | LEFT |
| 36 | 75784-0142 | OPTION 2 | T/H 2.79 | RIGHT |
| 36 | 75784-0143 | OPTION 2 | T/H 2.79 | DUAL |
| 36 | 75784-0144 | OPTION 2 | T/H 2.79 | UNIVERSAL |
| 36 | 75784-0145 | OPTION 1 | T/H 3.18 | LEFT |
| 36 | 75784-0146 | OPTION 1 | T/H 3.18 | RIGHT |
| 36 | 75784-0147 | OPTION 1 | T/H 3.18 | DUAL |
| 36 | 75784-0148 | OPTION 1 | T/H 3.18 | UNIVERSAL |
| 36 | 75784-0149 | OPTION 2 | T/H 3.18 | LEFT |
| 36 | 75784-0150 | OPTION 2 | T/H 3.18 | RIGHT |
| 36 | 75784-0151 | OPTION 2 | T/H 3.18 | DUAL |
| 36 | 75784-0152 | OPTION 2 | T/H 3.18 | UNIVERSAL |
| 36 | 75784-0153 | OPTION 1 | T/H 3.56 | LEFT |
| 36 | 75784-0154 | OPTION 1 | T/H 3.56 | RIGHT |
| 36 | 75784-0155 | OPTION 1 | T/H 3.56 | DUAL |
| 36 | 75784-0156 | OPTION 1 | T/H 3.56 | UNIVERSAL |
| 36 | 75784-0157 | OPTION 2 | T/H 3.56 | LEFT |
| 36 | 75784-0158 | OPTION 2 | T/H 3.56 | RIGHT |
| 36 | 75784-0159 | OPTION 2 | T/H 3.56 | DUAL |
| 36 | 75784-0160 | OPTION 2 | T/H 3.56 | UNIVERSAL |

iPass™ IS A TRADEMARK OF MOLEX

| | | | | | | | | | | | |
|---|--|------------|---|---------|--------|-----------------|--|--|--------------|----------|----------|
| THIS DRAWING CONTAINS INFORMATION THAT IS PROPRIETARY TO MOLEX ELECTRONIC TECHNOLOGIES, LLC AND SHOULD NOT BE USED WITHOUT WRITTEN PERMISSION | | | | | | | | | | | |
| SYMBOLS = 0 = 0 = 0 = 0 = 0 = 0 = 0 = 0 = 0 | DIMENSION UNITS | SCALE | CURRENT REV DESC: MIGRATED TO NX | | | | | | | | |
| | mm | 1:1 | EC NO: 666196 DRWN: BBEGALIMADHU 2018/03/05 CHK'D: JKACHLIC 2021/06/21 APPR: JKACHLIC 2021/06/21 | | | | | | | | |
| | GENERAL TOLERANCES (UNLESS SPECIFIED) | | | | | | | | | | |
| | ANGULAR TOL ± 0.5° | | INITIAL REVISION: DRWN: KLANG 2005/04/15 APPR: RNELSON 2005/04/18 | | | | | | | | |
| | 4 PLACES ± | 3 PLACES ± | | | | | | | | | |
| 2 PLACES ± 0.13 | 1 PLACE ± 0.25 | | | | | | | | | | |
| 0 PLACES ± | DRAFT WHERE APPLICABLE MUST REMAIN WITHIN DIMENSIONS | | THIRD ANGLE PROJECTION | DRAWING | SERIES | DOCUMENT NUMBER | | | DOC TYPE | DOC PART | REVISION |
| | | | | C-SIZE | 75784 | SD-75784-001 | | | PSD | 001 | D5 |
| | | | MATERIAL NUMBER | | | CUSTOMER | | | SHEET NUMBER | | |
| | | | SEE CHART | | | GENERAL MARKET | | | 6 OF 13 | | |

50 CIRCUIT ITEM NUMBERS

| CIRCUIT SIZE | ITEM NUMBER | PLATING OPTION | SHELL PCB OPTION | SHELL KEY OPTION |
|--------------|-------------|----------------|------------------|------------------|
| 50 | 75784-0207 | OPTION 1 | RETENTION | LEFT |
| 50 | 75784-0209 | OPTION 1 | RETENTION | DUAL |
| 50 | 75784-0210 | OPTION 1 | SMT | LEFT |
| 50 | 75784-0211 | OPTION 1 | SMT | RIGHT |
| 50 | 75784-0219 | OPTION 2 | RETENTION | LEFT |
| 50 | 75784-0220 | OPTION 2 | RETENTION | RIGHT |
| 50 | 75784-0221 | OPTION 2 | RETENTION | DUAL |
| 50 | 75784-0222 | OPTION 2 | SMT | LEFT |
| 50 | 75784-0223 | OPTION 2 | SMT | RIGHT |
| 50 | 75784-0224 | OPTION 2 | SMT | DUAL |
| 50 | 75784-0227 | OPTION 2 | RETENTION | UNIVERSAL |
| 50 | 75784-0228 | OPTION 2 | SMT | UNIVERSAL |
| 50 | 75784-0229 | OPTION 1 | T/H 1.96 | LEFT |
| 50 | 75784-0230 | OPTION 1 | T/H 1.96 | RIGHT |
| 50 | 75784-0231 | OPTION 1 | T/H 1.96 | DUAL |
| 50 | 75784-0232 | OPTION 1 | T/H 1.96 | UNIVERSAL |
| 50 | 75784-0233 | OPTION 2 | T/H 1.96 | LEFT |
| 50 | 75784-0234 | OPTION 2 | T/H 1.96 | RIGHT |
| 50 | 75784-0235 | OPTION 2 | T/H 1.96 | DUAL |
| 50 | 75784-0236 | OPTION 2 | T/H 1.96 | UNIVERSAL |

| CIRCUIT SIZE | ITEM NUMBER | PLATING OPTION | SHELL PCB OPTION | SHELL KEY OPTION |
|--------------|-------------|----------------|------------------|------------------|
| 50 | 75784-0237 | OPTION 1 | T/H 2.79 | LEFT |
| 50 | 75784-0238 | OPTION 1 | T/H 2.79 | RIGHT |
| 50 | 75784-0239 | OPTION 1 | T/H 2.79 | DUAL |
| 50 | 75784-0240 | OPTION 1 | T/H 2.79 | UNIVERSAL |
| 50 | 75784-0241 | OPTION 2 | T/H 2.79 | LEFT |
| 50 | 75784-0242 | OPTION 2 | T/H 2.79 | RIGHT |
| 50 | 75784-0243 | OPTION 2 | T/H 2.79 | DUAL |
| 50 | 75784-0244 | OPTION 2 | T/H 2.79 | UNIVERSAL |
| 50 | 75784-0246 | OPTION 1 | T/H 3.18 | RIGHT |
| 50 | 75784-0247 | OPTION 1 | T/H 3.18 | DUAL |
| 50 | 75784-0248 | OPTION 1 | T/H 3.18 | UNIVERSAL |
| 50 | 75784-0249 | OPTION 2 | T/H 3.18 | LEFT |
| 50 | 75784-0250 | OPTION 2 | T/H 3.18 | RIGHT |
| 50 | 75784-0251 | OPTION 2 | T/H 3.18 | DUAL |
| 50 | 75784-0252 | OPTION 2 | T/H 3.18 | UNIVERSAL |

iPass™ IS A TRADEMARK OF MOLEX

| | | | | | | |
|---|---|--------------------------|---|-----------------|--|-----------------|
| SYMBOLS = 0 = 0 = 0 = 0 = 0 = 0 = 0 = 0 = 0 | THIS DRAWING CONTAINS INFORMATION THAT IS PROPRIETARY TO MOLEX ELECTRONIC TECHNOLOGIES, LLC AND SHOULD NOT BE USED WITHOUT WRITTEN PERMISSION | | CURRENT REV DESC: MIGRATED TO NX | | I-PASS VERT CONNECTOR INTERNAL ASSY W/SHELL 0.8MM PITCH I/O PRODUCT CUSTOMER DRAWING | |
| | DIMENSION UNITS | SCALE | EC NO: 666196 DRWN: BBEGALIMADHU 2018/03/05 CHK'D: JKACHLIC 2021/06/21 APPR: JKACHLIC 2021/06/21 | | | DOCUMENT NUMBER |
| | mm | 1:1 | | | | SD-75784-001 |
| | GENERAL TOLERANCES (UNLESS SPECIFIED) | | INITIAL REVISION: | | | DOC TYPE |
| ANGULAR TOL ± 0.5° | | DRWN: KLANG 2005/04/15 | | DOC PART | | |
| 4 PLACES ± | | APPR: RNELSON 2005/04/18 | | REVISION | | |
| 3 PLACES ± | | SEE CHART | | PSD 001 D5 | | |
| 2 PLACES ± 0.13 | | | | | | |
| 1 PLACE ± 0.25 | | THIRD ANGLE PROJECTION | | MATERIAL NUMBER | | |
| 0 PLACES ± | | DRAWING | | CUSTOMER | | |
| DRAFT WHERE APPLICABLE MUST REMAIN WITHIN DIMENSIONS | | SERIES | | SHEET NUMBER | | |
| | | C-SIZE 75784 | | 7 OF 13 | | |

68 CIRCUIT ITEM NUMBERS

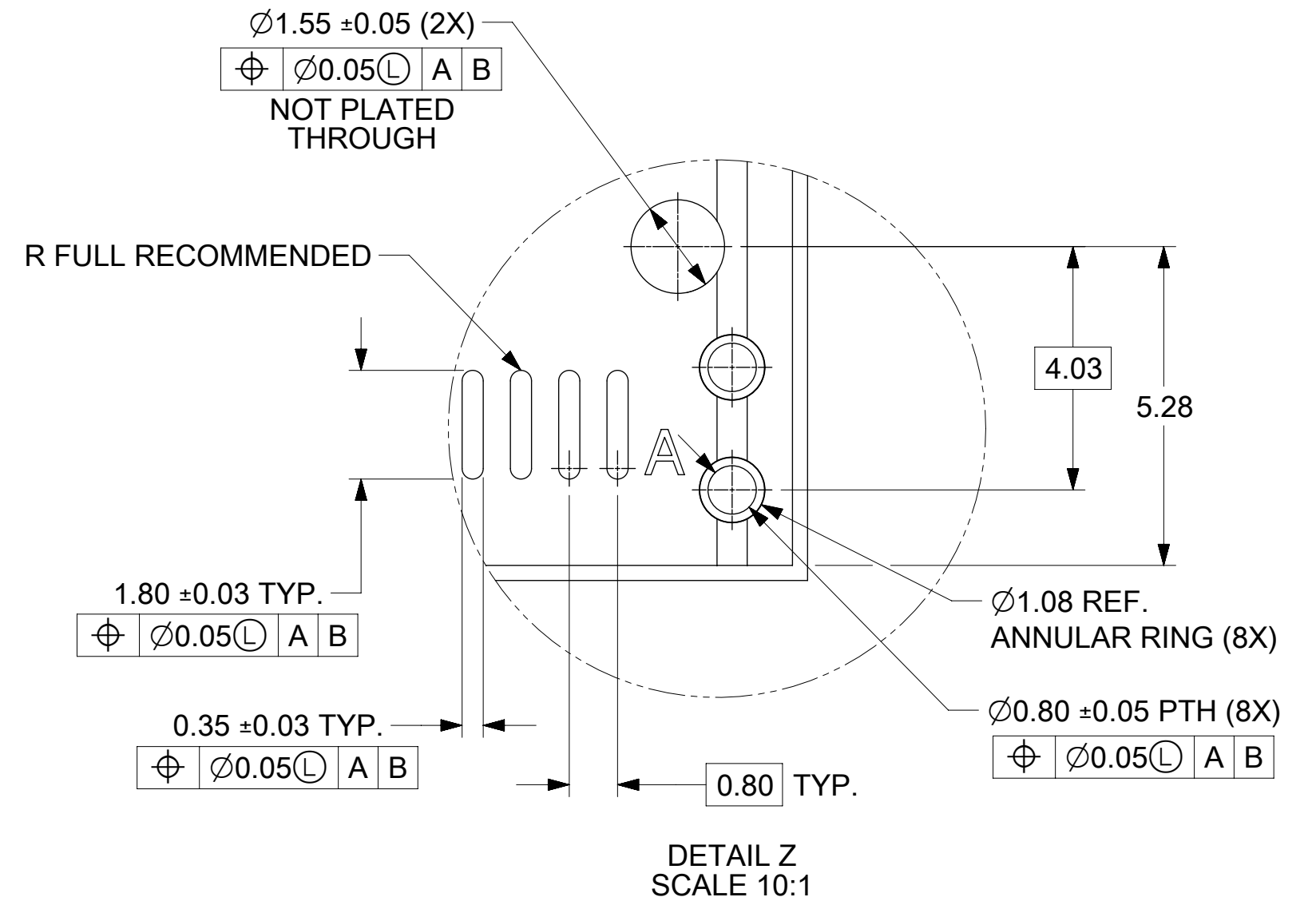
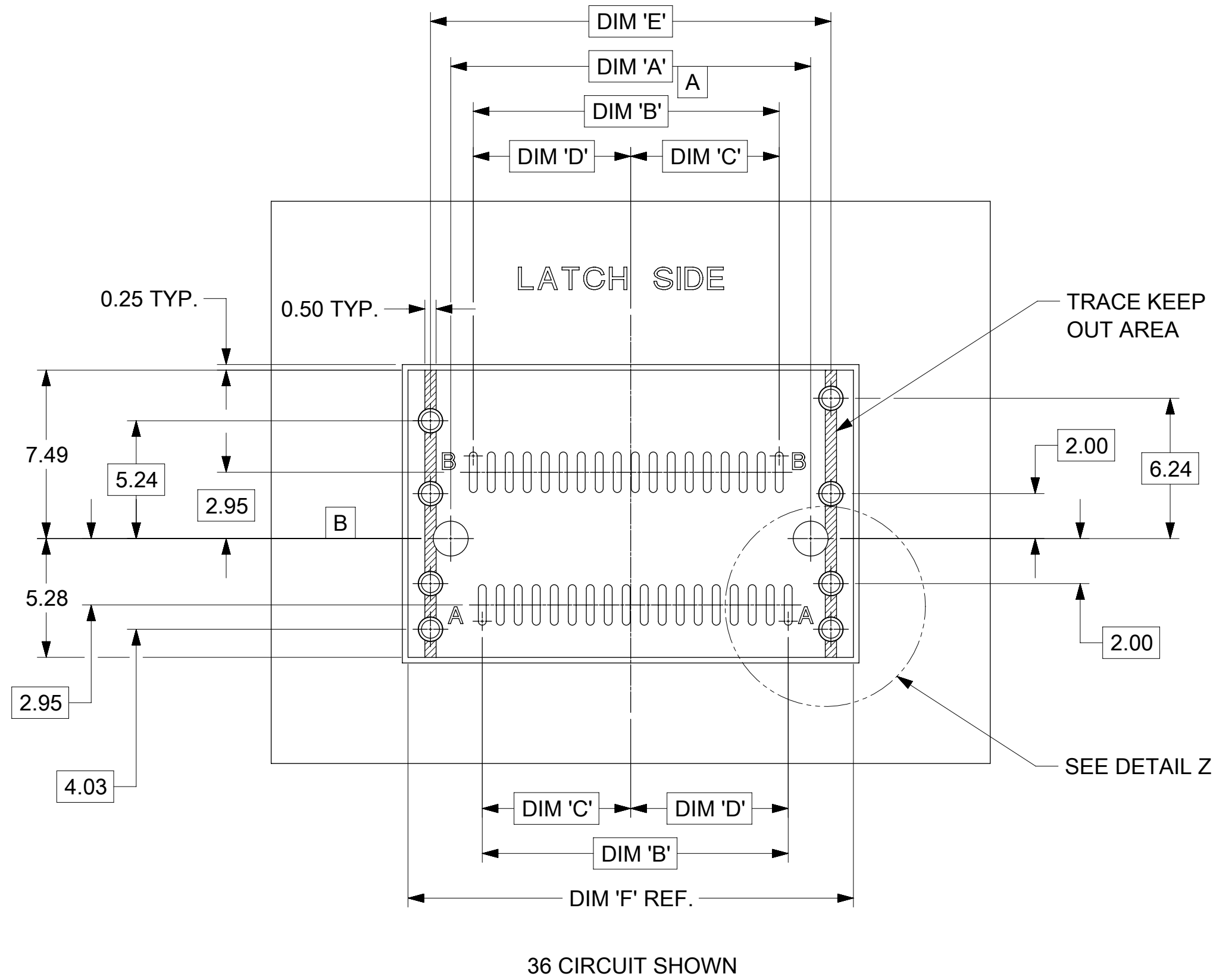
| CIRCUIT SIZE | ITEM NUMBER | PLATING OPTION | SHELL PCB OPTION | SHELL KEY OPTION |
|--------------|-------------|----------------|------------------|------------------|
| 68 | 75784-0309 | OPTION 1 | RETENTION | DUAL |
| 68 | 75784-0310 | OPTION 1 | SMT | LEFT |
| 68 | 75784-0311 | OPTION 1 | SMT | RIGHT |
| 68 | 75784-0312 | OPTION 1 | SMT | DUAL |
| 68 | 75784-0319 | OPTION 2 | RETENTION | LEFT |
| 68 | 75784-0321 | OPTION 2 | RETENTION | DUAL |
| 68 | 75784-0322 | OPTION 2 | SMT | LEFT |
| 68 | 75784-0323 | OPTION 2 | SMT | RIGHT |
| 68 | 75784-0325 | OPTION 1 | RETENTION | UNIVERSAL |
| 68 | 75784-0331 | OPTION 1 | T/H 1.96 | DUAL |
| 68 | 75784-0332 | OPTION 1 | T/H 1.96 | UNIVERSAL |
| 68 | 75784-0335 | OPTION 2 | T/H 1.96 | DUAL |
| 68 | 75784-0336 | OPTION 2 | T/H 1.96 | UNIVERSAL |

| CIRCUIT SIZE | ITEM NUMBER | PLATING OPTION | SHELL PCB OPTION | SHELL KEY OPTION |
|--------------|-------------|----------------|------------------|------------------|
| 68 | 75784-0338 | OPTION 1 | T/H 2.79 | RIGHT |
| 68 | 75784-0339 | OPTION 1 | T/H 2.79 | DUAL |
| 68 | 75784-0340 | OPTION 1 | T/H 2.79 | UNIVERSAL |
| 68 | 75784-0341 | OPTION 2 | T/H 2.79 | LEFT |
| 68 | 75784-0342 | OPTION 2 | T/H 2.79 | RIGHT |
| 68 | 75784-0343 | OPTION 2 | T/H 2.79 | DUAL |
| 68 | 75784-0344 | OPTION 2 | T/H 2.79 | UNIVERSAL |
| 68 | 75784-0345 | OPTION 1 | T/H 3.18 | LEFT |
| 68 | 75784-0346 | OPTION 1 | T/H 3.18 | RIGHT |
| 68 | 75784-0347 | OPTION 1 | T/H 3.18 | DUAL |
| 68 | 75784-0348 | OPTION 1 | T/H 3.18 | UNIVERSAL |
| 68 | 75784-0349 | OPTION 2 | T/H 3.18 | LEFT |
| 68 | 75784-0350 | OPTION 2 | T/H 3.18 | RIGHT |
| 68 | 75784-0352 | OPTION 2 | T/H 3.18 | UNIVERSAL |

iPass™ IS A TRADEMARK OF MOLEX

| | | | | | | | | | | | |
|-----------------|--|---|---|------------|--|-----------------|----------|----------------|----------|--------------|--|
| SYMBOLS | | THIS DRAWING CONTAINS INFORMATION THAT IS PROPRIETARY TO MOLEX ELECTRONIC TECHNOLOGIES, LLC AND SHOULD NOT BE USED WITHOUT WRITTEN PERMISSION | | | | | | | | | |
| DIMENSION UNITS | SCALE | CURRENT REV DESC: MIGRATED TO NX | | | | | | | | | |
| = 0 | mm | 1:1 | | | | | | | | | |
| = 0 | GENERAL TOLERANCES (UNLESS SPECIFIED) | | EC NO: 666196 DRWN: BBEGALIMADHU 2018/03/05 CHK'D: JKACHLIC 2021/06/21 APPR: JKACHLIC 2021/06/21 | | I-PASS VERT CONNECTOR INTERNAL ASSY W/SHELL 0.8MM PITCH I/O | | | | | | |
| = 0 | ANGULAR TOL ± 0.5° | | | | | | | | | | |
| = 0 | 4 PLACES ± | | | | | | | | | | |
| = 0 | 3 PLACES ± | | INITIAL REVISION: DRWN: KLANG 2005/04/15 APPR: RNELSON 2005/04/18 | | PRODUCT CUSTOMER DRAWING | | | | | | |
| = 0 | 2 PLACES ± 0.13 | | | | | | | | | | |
| = 0 | 1 PLACE ± 0.25 | | | | | | | | | | |
| = 0 | 0 PLACES ± | | THIRD ANGLE PROJECTION | | DOCUMENT NUMBER SD-75784-001 | | | | | | |
| = 0 | DRAFT WHERE APPLICABLE MUST REMAIN WITHIN DIMENSIONS | | | | DRAWING SERIES C-SIZE 75784 | | DOC TYPE | DOC PART | REVISION | | |
| DOCUMENT STATUS | | P1 | RELEASE DATE | 2021/06/21 | 03:48:56 | MATERIAL NUMBER | | CUSTOMER | | SHEET NUMBER | |
| | | | | | | SEE CHART | | GENERAL MARKET | | 8 OF 13 | |

VERTICAL CONNECTOR WITH RETENTION FIT & THRU-HOLE SHELL PCB FOOT PRINT

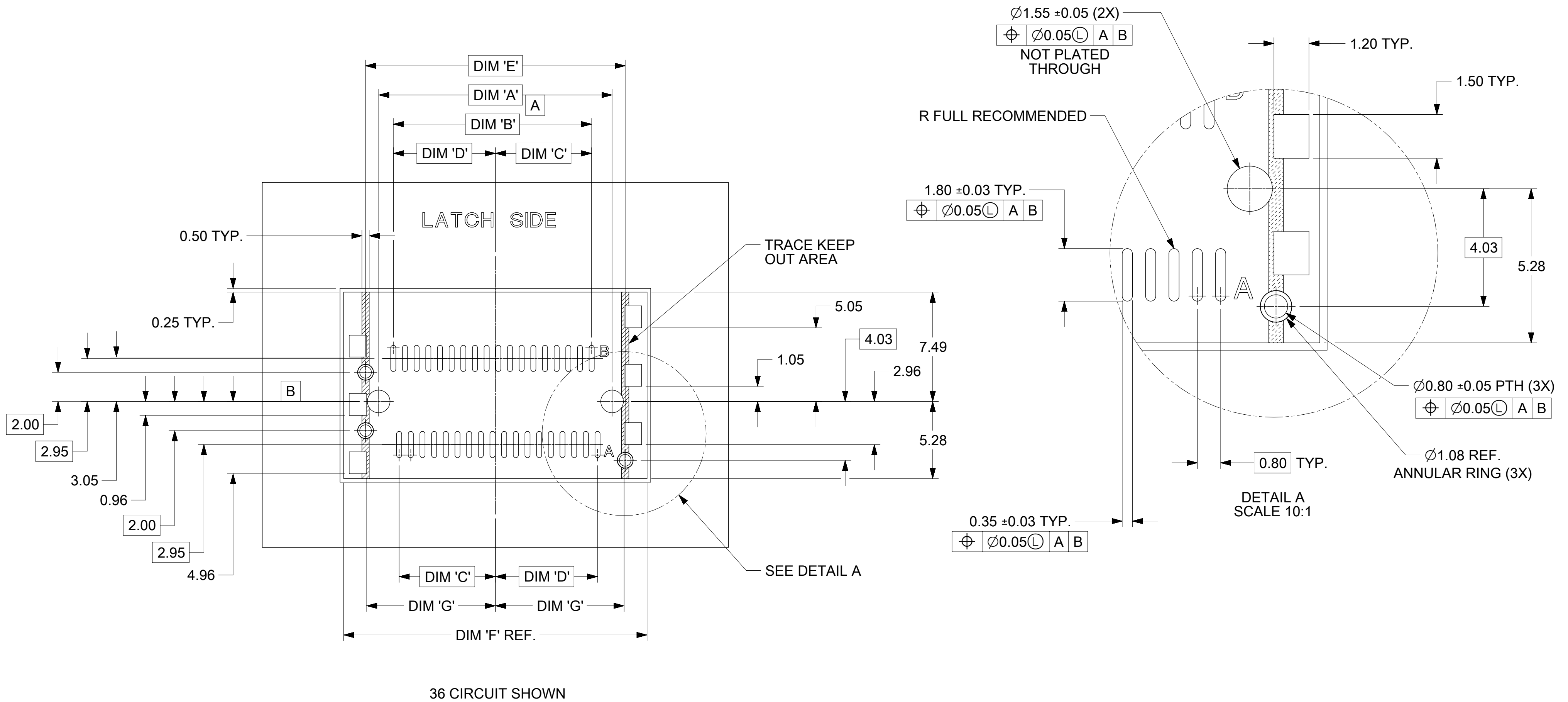


| CIRCUIT SIZE | PEG TO PEG | FIRST TO LAST PAD | CENTERLINE TO PAD | CENTERLINE TO PAD | SHELL PEG TO PEG | SHELL FOOTPRINT WIDTH |
|--------------|------------|-------------------|-------------------|-------------------|------------------|-----------------------|
| | DIM 'A' | DIM 'B' | DIM 'C' | DIM 'D' | DIM 'E' | DIM 'F' |
| 26 | 12.00 | 9.60 | 4.60 | 5.00 | 13.80 | 15.80 |
| 36 | 16.00 | 13.60 | 6.60 | 7.00 | 17.80 | 19.80 |
| 50 | 21.60 | 19.20 | 9.40 | 9.80 | 23.40 | 25.40 |
| 68 | 28.80 | 26.40 | 13.00 | 13.40 | 30.60 | 32.60 |

iPass™ IS A TRADEMARK OF MOLEX

| THIS DRAWING CONTAINS INFORMATION THAT IS PROPRIETARY TO MOLEX ELECTRONIC TECHNOLOGIES, LLC AND SHOULD NOT BE USED WITHOUT WRITTEN PERMISSION | | | | | | | | | | | | | | | |
|---|-------|--|-------|--|---------|--------|-----------------|----------------|--------------|-------------------------------|--|--|--|--|--|
| SYMBOLS | | DIMENSION UNITS | SCALE | CURRENT REV DESC: MIGRATED TO NX | | | | | | | | | | | |
| ▽ = 0 | ▽ = 0 | mm | 5:1 | molex I-PASS VERT CONNECTOR INTERNAL ASSY W/SHELL 0.8MM PITCH I/O PRODUCT CUSTOMER DRAWING | | | | | | | | | | | |
| ▽ = 0 | ▽ = 0 | GENERAL TOLERANCES (UNLESS SPECIFIED) | | | | | | | | EC NO: 666196 | | | | | |
| ▽ = 0 | ▽ = 0 | ANGULAR TOL ± 0.5° | | | | | | | | DRWN: BBEGALIMADHU 2018/03/05 | | | | | |
| ▽ = 0 | ▽ = 0 | 4 PLACES ± | | | | | | | | CHK'D: JKACHLIC 2021/06/21 | | | | | |
| ▽ = 0 | ▽ = 0 | 3 PLACES ± | | | | | | | | APPR: JKACHLIC 2021/06/21 | | | | | |
| ▽ = 0 | ▽ = 0 | 2 PLACES ± 0.13 | | INITIAL REVISION: | | | | | | | | | | | |
| ▽ = 0 | ▽ = 0 | 1 PLACE ± 0.25 | | DRWN: KLANG 2005/04/15 | | | | | | | | | | | |
| ▽ = 0 | ▽ = 0 | 0 PLACES ± | | APPR: RNELSON 2005/04/18 | | | | | | | | | | | |
| ▽ = 0 | ▽ = 0 | DRAFT WHERE APPLICABLE MUST REMAIN WITHIN DIMENSIONS | | THIRD ANGLE PROJECTION | DRAWING | SERIES | MATERIAL NUMBER | CUSTOMER | SHEET NUMBER | | | | | | |
| ▽ = 0 | ▽ = 0 | | | | C-SIZE | 75784 | SEE CHART | GENERAL MARKET | 9 OF 13 | | | | | | |

VERTICAL CONNECTOR WITH SMT SHELL PCB FOOT PRINT

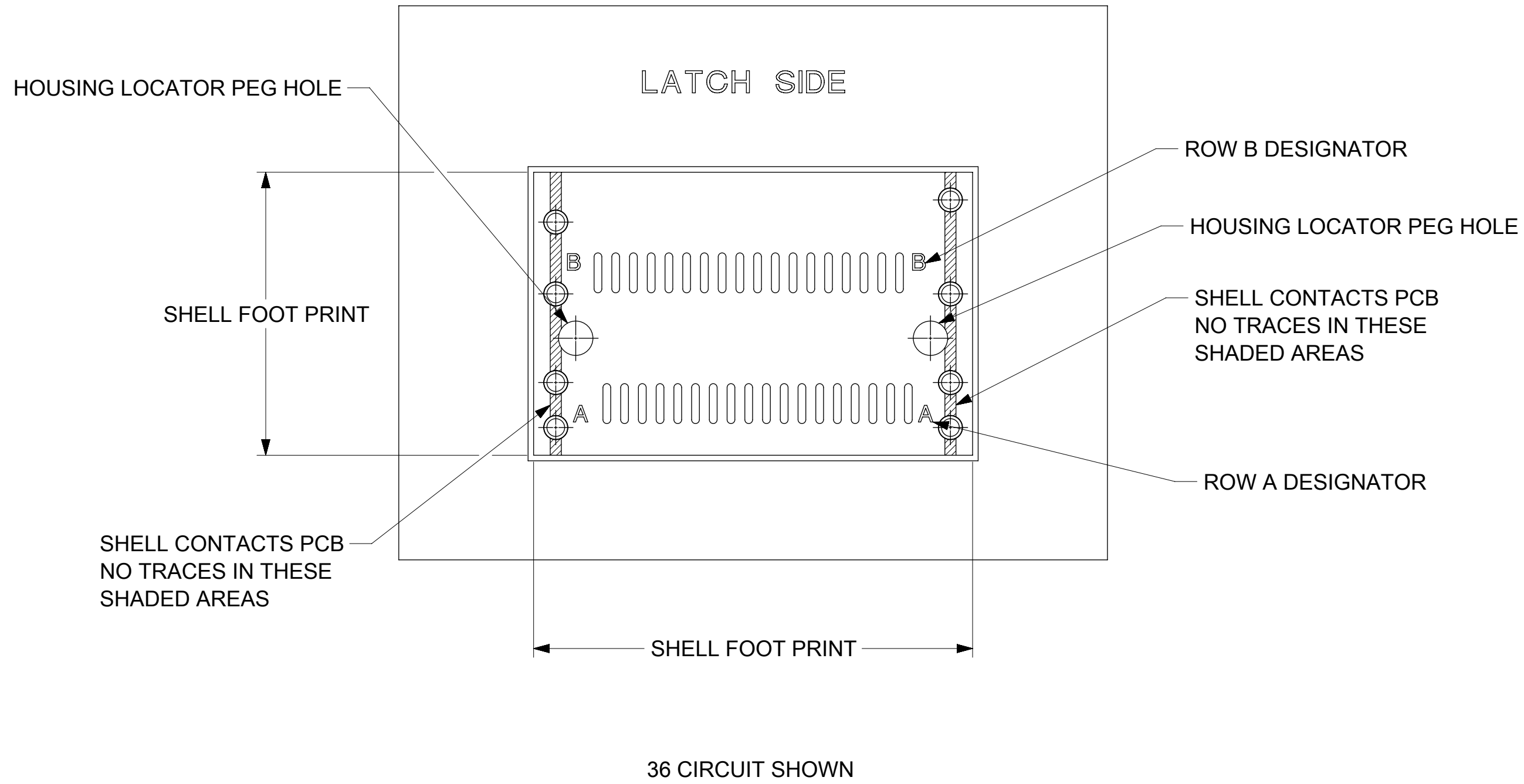


| | PEG TO PEG | FIRST TO LAST PAD | CENTERLINE TO PAD | CENTERLINE TO PAD | SHELL PEG TO PEG | SHELL FOOTPRINT WIDTH | CENTERLINE TO PAD EDGE |
|--------------|------------|-------------------|-------------------|-------------------|------------------|-----------------------|------------------------|
| CIRCUIT SIZE | DIM 'A' | DIM 'B' | DIM 'C' | DIM 'D' | DIM 'E' | DIM 'F' | DIM 'G' |
| 26 | 12.00 | 9.60 | 4.60 | 5.00 | 13.80 | 16.80 | 6.825 |
| 36 | 16.00 | 13.60 | 6.60 | 7.00 | 17.80 | 20.80 | 8.825 |
| 50 | 21.60 | 19.20 | 9.40 | 9.80 | 23.40 | 26.40 | 11.625 |
| 68 | 28.80 | 26.40 | 13.00 | 13.40 | 30.60 | 33.60 | 15.225 |

iPass™ IS A TRADEMARK OF MOLEX

| | | | | |
|--|--|--|--|--|
| SYMBOLS ▽ = 0 ▽ = 0 ▽ = 0 ▽ = 0 ▽ = 0 ▽ = 0 ▽ = 0 ▽ = 0 ▽ = 0 ▽ = 0 | THIS DRAWING CONTAINS INFORMATION THAT IS PROPRIETARY TO MOLEX ELECTRONIC TECHNOLOGIES, LLC AND SHOULD NOT BE USED WITHOUT WRITTEN PERMISSION. DIMENSION UNITS: mm SCALE: 5:1 GENERAL TOLERANCES (UNLESS SPECIFIED): ANGULAR TOL ± 0.5° 4 PLACES ± 3 PLACES ± 2 PLACES ± 0.13 1 PLACE ± 0.25 0 PLACES ± DRAFT WHERE APPLICABLE MUST REMAIN WITHIN DIMENSIONS | CURRENT REV DESC: MIGRATED TO NX EC NO: 666196 DRWN: BBEGALIMADHU 2018/03/05 CHK'D: JKACHLIC 2021/06/21 APPR: JKACHLIC 2021/06/21 INITIAL REVISION: DRWN: KLANG 2005/04/15 APPR: RNELSON 2005/04/18 THIRD ANGLE PROJECTION | <div style="text-align: center;">molex</div> I-PASS VERT CONNECTOR INTERNAL ASSY W/SHELL 0.8MM PITCH I/O PRODUCT CUSTOMER DRAWING | DOCUMENT NUMBER: SD-75784-001 DOC TYPE: PSD DOC PART: 001 REVISION: D5 MATERIAL NUMBER: SEE CHART CUSTOMER: GENERAL MARKET SHEET NUMBER: 10 OF 13 |
|--|--|--|--|--|

VERTICAL CONNECTOR WITH SHELL PCB FOOT PRINT DESCRIPTIONS



iPass™ IS A TRADEMARK OF MOLEX

| THIS DRAWING CONTAINS INFORMATION THAT IS PROPRIETARY TO MOLEX ELECTRONIC TECHNOLOGIES, LLC AND SHOULD NOT BE USED WITHOUT WRITTEN PERMISSION | | | | | | | | | | | | | | | | | | | | | | | | | | | | | | | | | | |
|---|--|--------|--|--|---------|--------|--|--|--|---------------|--|--|--|--|--|--|--------------------|------------|--|--|--|--|-----------------|------------|--|--|--|--|----------------|------------|--|--|--|--|
| SYMBOLS | DIMENSION UNITS | SCALE | CURRENT REV DESC: MIGRATED TO NX | | | | | | | | | | | | | | | | | | | | | | | | | | | | | | | |
| ▽ = 0 | mm | 5:1 | <table style="width: 100%; border-collapse: collapse;"> <tr> <td colspan="2">EC NO: 666196</td> <td colspan="5"></td> </tr> <tr> <td>DRWN: BBEGALIMADHU</td> <td>2018/03/05</td> <td colspan="4"></td> </tr> <tr> <td>CHK'D: JKACHLIC</td> <td>2021/06/21</td> <td colspan="4"></td> </tr> <tr> <td>APPR: JKACHLIC</td> <td>2021/06/21</td> <td colspan="4"></td> </tr> </table> | | | | | | | EC NO: 666196 | | | | | | | DRWN: BBEGALIMADHU | 2018/03/05 | | | | | CHK'D: JKACHLIC | 2021/06/21 | | | | | APPR: JKACHLIC | 2021/06/21 | | | | |
| EC NO: 666196 | | | | | | | | | | | | | | | | | | | | | | | | | | | | | | | | | | |
| DRWN: BBEGALIMADHU | 2018/03/05 | | | | | | | | | | | | | | | | | | | | | | | | | | | | | | | | | |
| CHK'D: JKACHLIC | 2021/06/21 | | | | | | | | | | | | | | | | | | | | | | | | | | | | | | | | | |
| APPR: JKACHLIC | 2021/06/21 | | | | | | | | | | | | | | | | | | | | | | | | | | | | | | | | | |
| GENERAL TOLERANCES (UNLESS SPECIFIED) | | | | | | | | | | | | | | | | | | | | | | | | | | | | | | | | | | |
| ▽ = 0 | ANGULAR TOL ± 0.5° | | | | | | | | | | | | | | | | | | | | | | | | | | | | | | | | | |
| ▽ = 0 | 4 PLACES | ± | | | | | | | | | | | | | | | | | | | | | | | | | | | | | | | | |
| ▽ = 0 | 3 PLACES | ± | | | | | | | | | | | | | | | | | | | | | | | | | | | | | | | | |
| ▽ = 0 | 2 PLACES | ± 0.13 | | | | | | | | | | | | | | | | | | | | | | | | | | | | | | | | |
| ▽ = 0 | 1 PLACE | ± 0.25 | | | | | | | | | | | | | | | | | | | | | | | | | | | | | | | | |
| ⊠ = 0 | 0 PLACES | ± | | | | | | | | | | | | | | | | | | | | | | | | | | | | | | | | |
| ■ = 0 | DRAFT WHERE APPLICABLE MUST REMAIN WITHIN DIMENSIONS | | THIRD ANGLE PROJECTION | | DRAWING | SERIES | | | | | | | | | | | | | | | | | | | | | | | | | | | | |
| ▽ = 0 | | | | | C-SIZE | 75784 | | | | | | | | | | | | | | | | | | | | | | | | | | | | |

molex

I-PASS VERT CONNECTOR
INTERNAL ASSY W/SHELL 0.8MM PITCH I/O

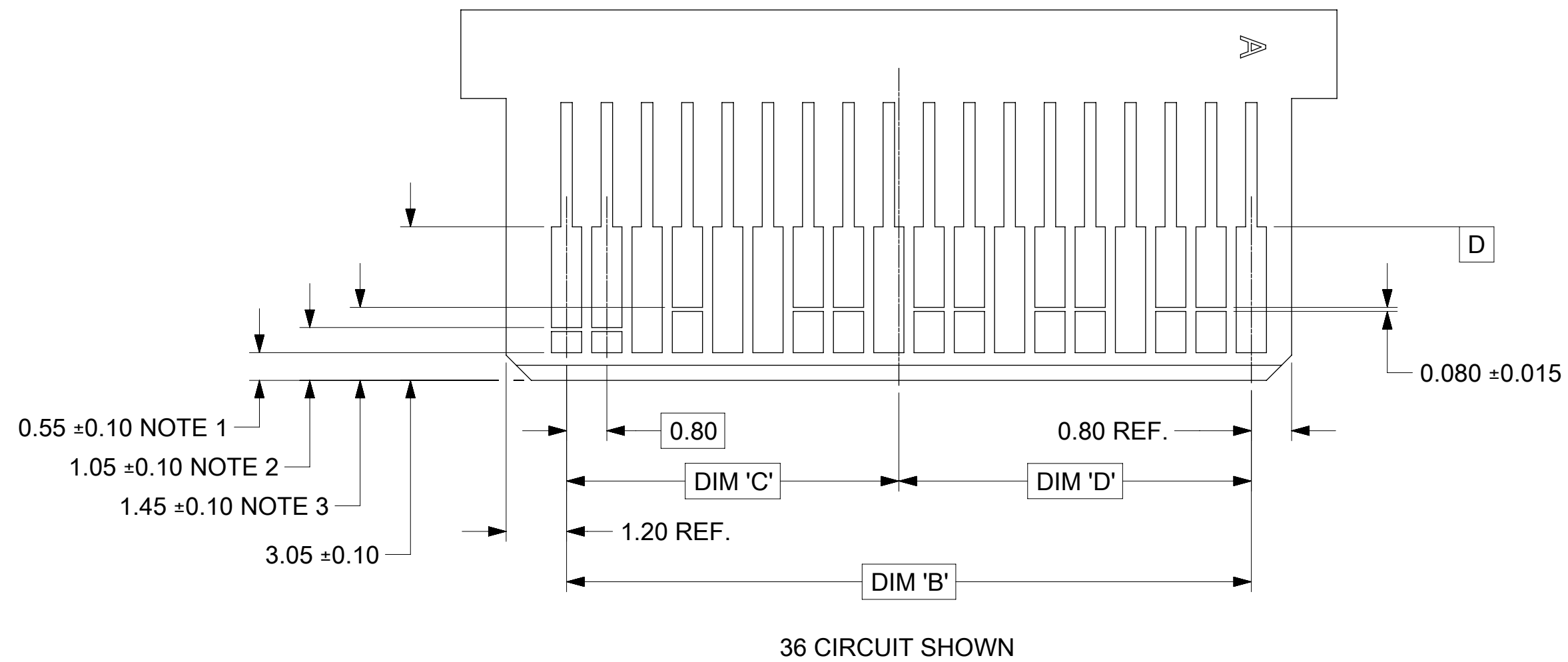
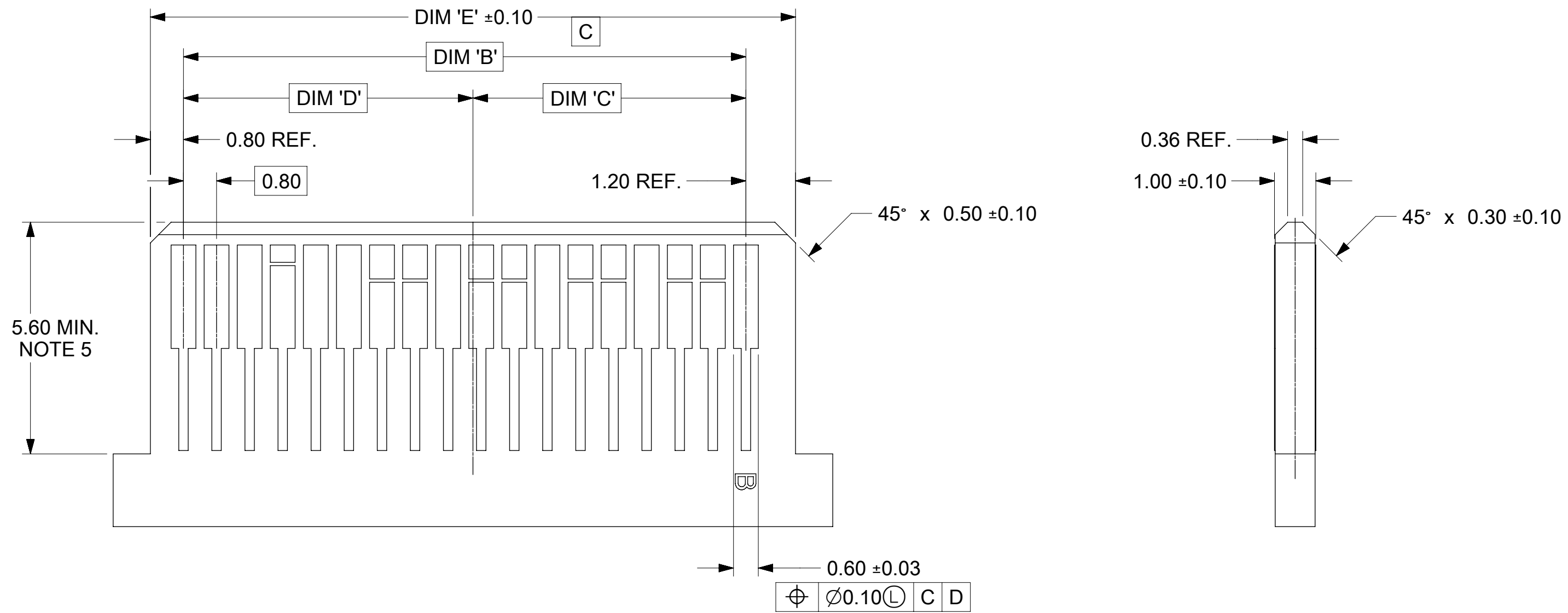
PRODUCT CUSTOMER DRAWING

| DOCUMENT NUMBER | DOC TYPE | DOC PART | REVISION |
|-----------------|----------|----------|----------|
|-----------------|----------|----------|----------|

| | | | |
|--------------|-----|-----|----|
| SD-75784-001 | PSD | 001 | D5 |
|--------------|-----|-----|----|

| MATERIAL NUMBER | CUSTOMER | SHEET NUMBER |
|-----------------|----------------|--------------|
| SEE CHART | GENERAL MARKET | 11 OF 13 |

MATING INTERFACE (FOR REFERENCE ONLY)



- NOTES:
- PAD CONFIGURATION FOR FIRST MATE.
 - PAD CONFIGURATION FOR SECOND MATE.
 - PAD CONFIGURATION FOR THIRD MATE. (HIGH SPEED SIGNALS)
 - FOR PIN ASSIGNMENTS AND MATING SEQUENCE (1ST, 2ND, 3RD), SEE APPLICABLE SPECIFICATION.
 - MINIMUM STEP REQUIRED IF PCB MADE WIDER THAN TONGUE.

iPass™ IS A TRADEMARK OF MOLEX

| CIRCUIT SIZE | TERM/SIDE 'N' | DIM 'B' | DIM 'C' | DIM 'D' | DIM 'E' |
|--------------|---------------|---------|---------|---------|---------|
| 26 | 13 | 9.60 | 4.60 | 5.00 | 11.60 |
| 36 | 18 | 13.60 | 6.60 | 7.00 | 15.60 |
| 50 | 25 | 19.20 | 9.40 | 9.80 | 21.20 |
| 68 | 34 | 26.40 | 13.00 | 13.40 | 28.40 |

| | | | | | |
|-----------------|--|---|------------------------|----------------------------------|---|
| SYMBOLS | | THIS DRAWING CONTAINS INFORMATION THAT IS PROPRIETARY TO MOLEX ELECTRONIC TECHNOLOGIES, LLC AND SHOULD NOT BE USED WITHOUT WRITTEN PERMISSION | | CURRENT REV DESC: MIGRATED TO NX | |
| ▽ = 0 | DIMENSION UNITS | mm | SCALE | 1:1 | <p>EC NO: 666196</p> <p>DRWN: BBEGALIMADHU 2018/03/05</p> <p>CHK'D: JKACHLIC 2021/06/21</p> <p>APPR: JKACHLIC 2021/06/21</p> <p>INITIAL REVISION:</p> <p>DRWN: KLANG 2005/04/15</p> <p>APPR: RNELSON 2005/04/18</p> |
| ▽ = 0 | GENERAL TOLERANCES (UNLESS SPECIFIED) | | | | |
| ▽ = 0 | ANGULAR TOL ± 0.5° | | | | |
| ▽ = 0 | 4 PLACES ± | | | | |
| ▽ = 0 | 3 PLACES ± | | | | |
| ▽ = 0 | 2 PLACES ± 0.13 | | | | |
| ▽ = 0 | 1 PLACE ± 0.25 | | | | |
| ▽ = 0 | 0 PLACES ± | | | | |
| ▽ = 0 | DRAFT WHERE APPLICABLE MUST REMAIN WITHIN DIMENSIONS | | THIRD ANGLE PROJECTION | DRAWING | SERIES |
| | | | C-SIZE | 75784 | |
| DOCUMENT STATUS | | P1 | RELEASE DATE | 2021/06/21 03:48:56 | |
| DOCUMENT NUMBER | | SD-75784-001 | | DOC TYPE | DOC PART |
| SEE CHART | | GENERAL MARKET | | PSD | 001 |
| MATERIAL NUMBER | | CUSTOMER | | REVISION | |
| SHEET NUMBER | | 12 OF 13 | | D5 | |

REVISION DESCRIPTION

| REV | DATE | DESCRIPTION |
|-----|-----------|---------------------------|
| D5 | 2019/4/17 | DRAWING MIGRATION TO ECTR |

H
G
F
E
D
C
B
A

| | | | | | | | | | | | | | |
|--------------------|---|-------|---|--|---------|--------|-----------------|--|----------------|--|--------------|----------|----------|
| FUNCTIONAL SYMBOLS | THIS DRAWING CONTAINS INFORMATION THAT IS PROPRIETARY TO MOLEX ELECTRONIC TECHNOLOGIES, LLC AND SHOULD NOT BE USED WITHOUT WRITTEN PERMISSION | | | | | | | | | | | | |
| | DIMENSION UNITS | SCALE | CURRENT REV DESC: MIGRATED TO NX | | | | | | | DOCUMENT NUMBER | | DOC TYPE | DOC PART |
| = 0 | mm | 1:1 | EC NO: 666196 DRWN: BBEGALIMADHU 2018/03/05 CHK'D: JKACHLIC 2021/06/21 APPR: JKACHLIC 2021/06/21 | | | | | | | I-PASS VERT CONNECTOR INTERNAL ASSY W/SHELL 0.8MM PITCH I/O | | | |
| = 0 | GENERAL TOLERANCES (UNLESS SPECIFIED) | | | | | | | | | | | | |
| = 0 | ANGULAR TOL ± 0.5° | | INITIAL REVISION: DRWN: KLANG 2005/04/15 APPR: RNELSON 2005/04/18 | | | | | | | PRODUCT CUSTOMER DRAWING SD-75784-001 PSD 001 D5 | | | |
| DIVISIONAL SYMBOLS | 4 PLACES ± | | | | | | | | | | | | |
| | 3 PLACES ± | | DRAFT WHERE APPLICABLE MUST REMAIN WITHIN DIMENSIONS | | | | | | | MATERIAL NUMBER: SEE CHART CUSTOMER: GENERAL MARKET SHEET NUMBER: 13 OF 13 | | | |
| | 2 PLACES ± 0.13 | | | | | | | | | | | | |
| | 1 PLACE ± 0.25 | | THIRD ANGLE PROJECTION | | DRAWING | SERIES | MATERIAL NUMBER | | CUSTOMER | | SHEET NUMBER | | |
| | 0 PLACES ± | | | | C-SIZE | 75784 | SEE CHART | | GENERAL MARKET | | 13 OF 13 | | |