

MATERIALS AND FINISHES

BODY: BERYLLIUM COPPER
 OPTION 1
 PLATED GOLD (1 MICRO-IN MIN)
 OVER HIGH PHOS NICKEL (80 MICRO-IN MIN)
 OVER COPPER (20 MICRO-IN MIN)
 OPTION 2
 PLATED TRI-M

CONTACT: BERYLLIUM COPPER
 PLATED GOLD (8 MICRO-IN MIN)
 OVER HIGH PHOS NICKEL (80 MICRO-IN MIN)
 OVER COPPER (20 MICRO-IN MIN)

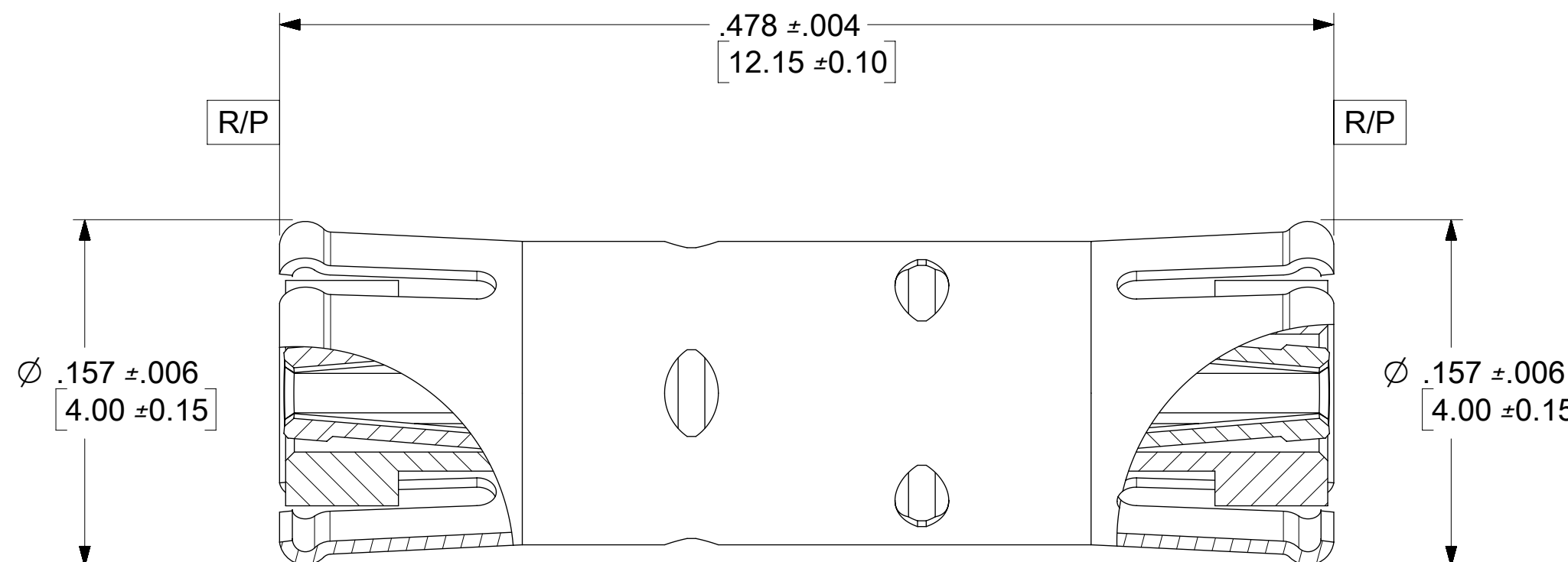
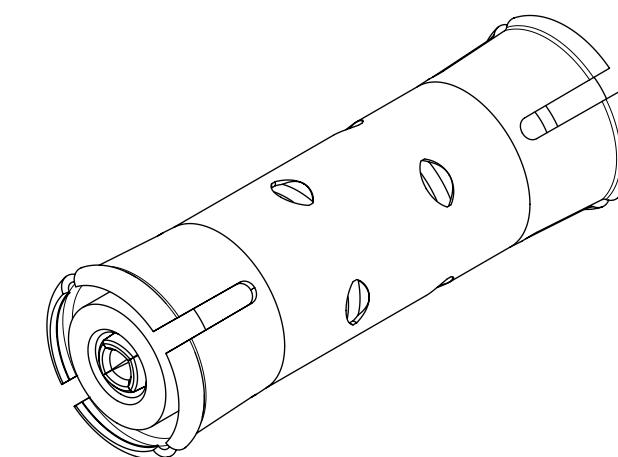
INSULATOR: PTFE

ELECTRICAL CHARACTERISTICS:

NOMINAL IMPEDANCE: 50Ω
 FREQUENCY RANGE: DC-10 GHz
 VSWR: 1.25 MAX UP TO 3GHz, 1.35 MAX 3-6GHz
 INSERTION LOSS: 0.15√F (GHz) dB MAX
 COAXIAL TRANSMISSION LINE ONLY
 VOLTAGE RATING: 330 Vrms AT SEAL LEVEL
 DIELECTRIC WITHSTANDING VOLTAGE: 1000 Vrms
 INSULATION RESISTANCE: 5000 MΩ

OTHERS:

POWER HANDLING
 300 W MIN @ 2.7 GHz AT 25°C
 200 W MIN @ 2.7 GHz AT 85°C
 RADIAL WORKING RANGE: 3°
 AXIAL WORKING RANGE: 2.0mm OR 2.4mm
 (SHOULD BE WITH SPECIAL RECEPTACLE FOR
 AXIAL MISALIGNMENT ±1.2mm)



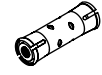
73420-5861	OPTION 2	TRAY
73420-5860	OPTION 1	
PART NO.	BODY	PACKAGING

PS-89675-3760	ELEC/MECH PERFORMANCE
SPECIFICATION	DESCRIPTION

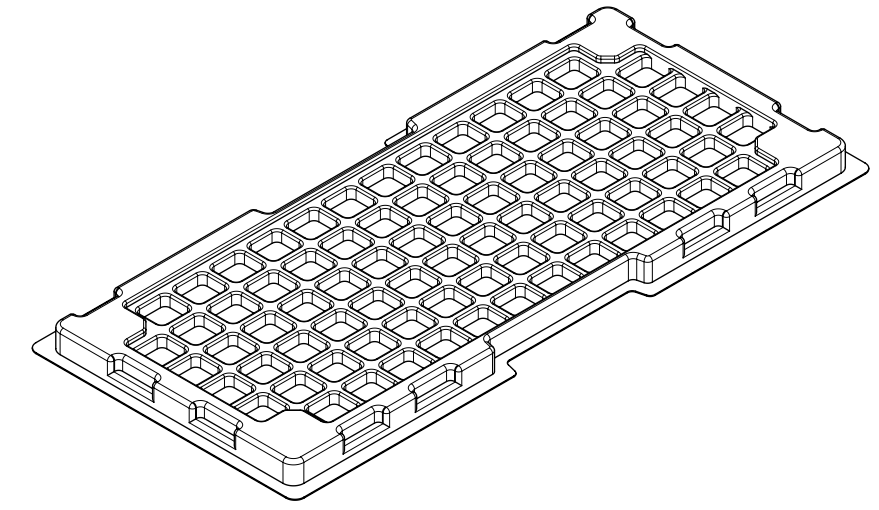
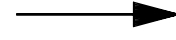
A2	2018/11/9	ADD 73420-5861 PER EWR-12653-A
REV	DATE	DESCRIPTION

THIS DRAWING CONTAINS INFORMATION THAT IS PROPRIETARY TO MOLEX ELECTRONIC TECHNOLOGIES, LLC AND SHOULD NOT BE USED WITHOUT WRITTEN PERMISSION									
DIMENSION UNITS		SCALE		CURRENT REV DESC:				molex	
HYBRID		NTS							
GENERAL TOLERANCES (UNLESS SPECIFIED)				EC NO: 608592				SMP-MAX EVO II J/J BULLET SYM 4 SLOTS L=12.15 EWR-11096	
ANGULAR TOL ± °				DRWN: RYEH 2018/11/09					
4 PLACES ±				CHK'D: YCHENG 2018/12/12				PRODUCT CUSTOMER DRAWING	
3 PLACES ±				APPR: YCHENG 2018/12/12					
2 PLACES ±				INITIAL REVISION:				DOCUMENT NUMBER	
1 PLACE ±				DRWN: RYEH 2017/06/16					
0 PLACES ±				APPR: YCHENG 2017/12/25				734205860	
DRAFT WHERE APPLICABLE MUST REMAIN WITHIN DIMENSIONS		THIRD ANGLE PROJECTION		DRAWING		SERIES		MATERIAL NUMBER	
				C-SIZE		73420		SEE TABLE	
								CUSTOMER	
								SHEET NUMBER	
								1 OF 2	

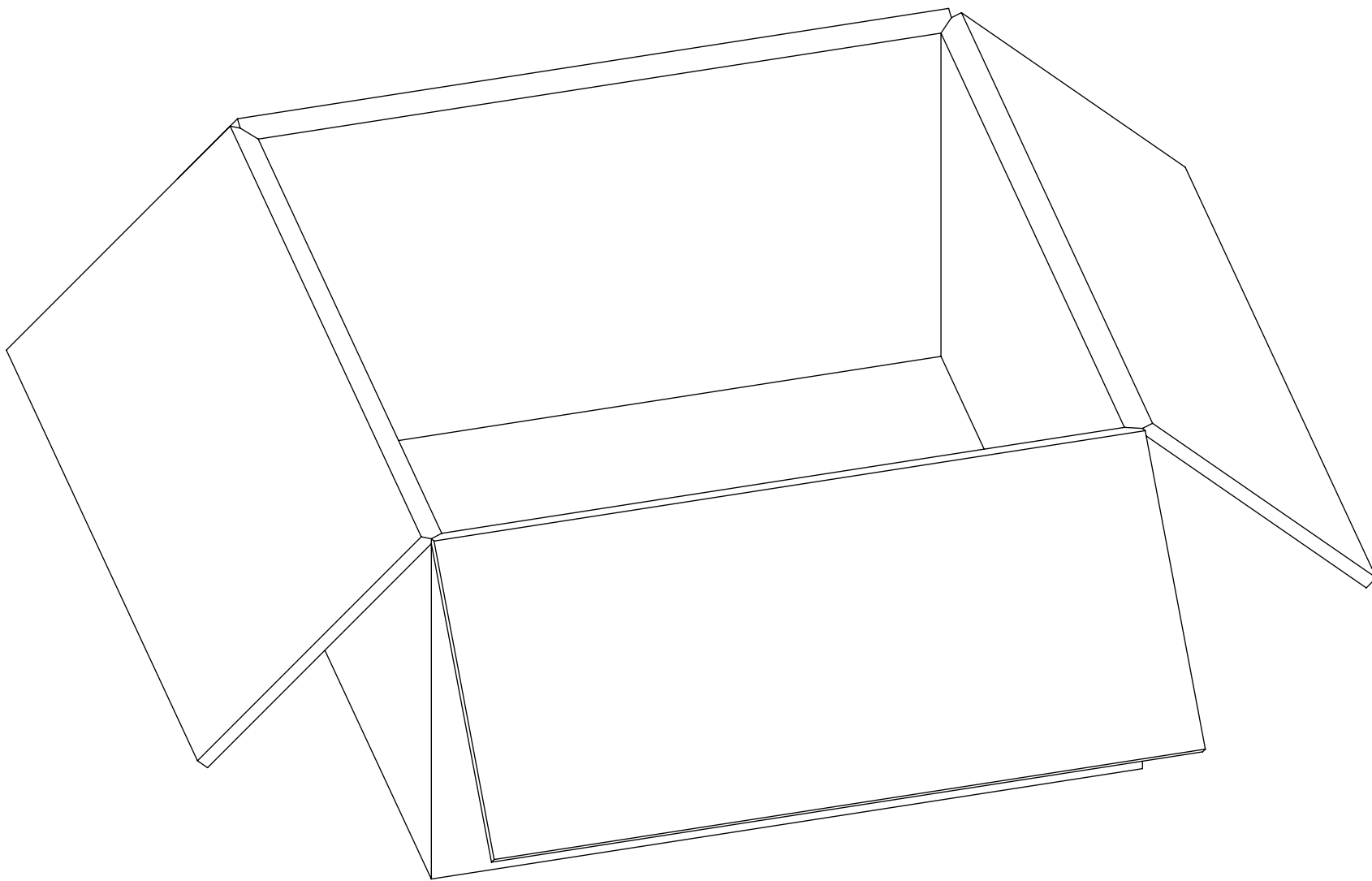
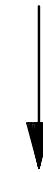
DOCUMENT STATUS	P1	RELEASE DATE	2018/12/12	08:11:10
-----------------	----	--------------	------------	----------



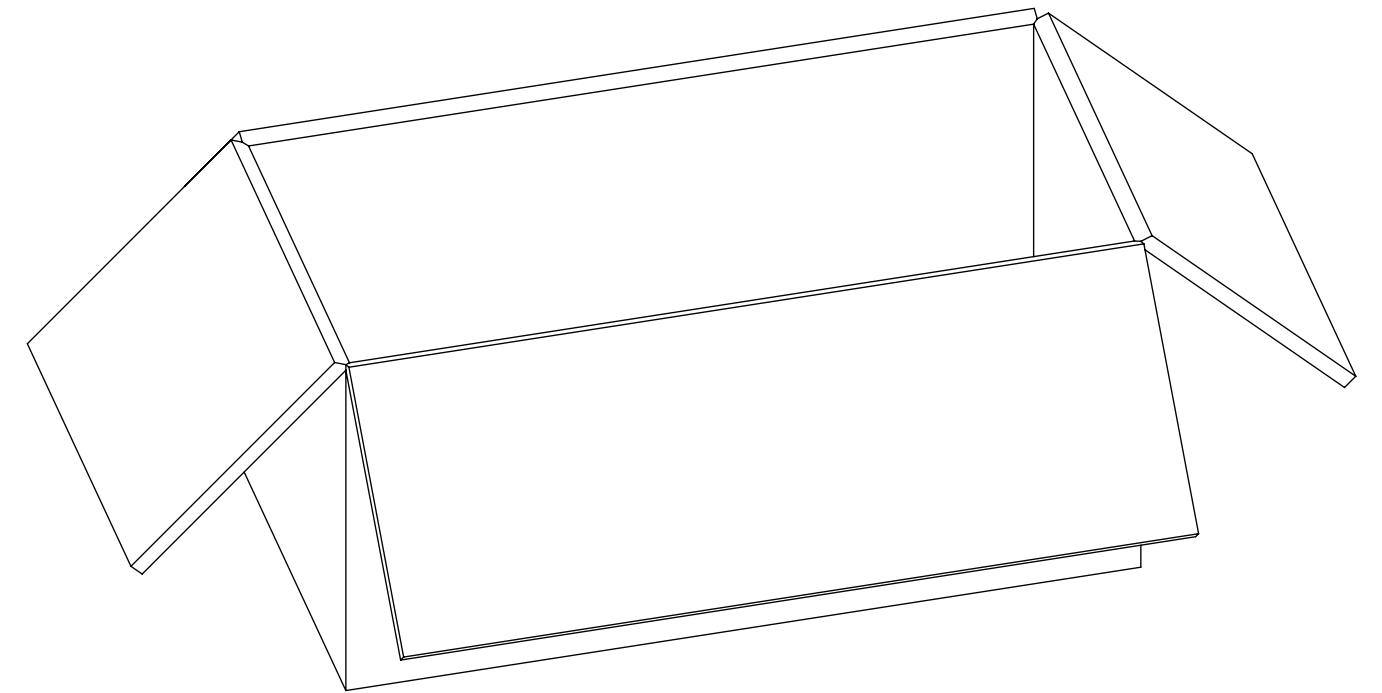
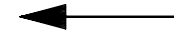
P/N: 73420-5860
OR
P/N: 73420-5861



80 SETS PER TRAY
P/N: 89707-0190



3200 SETS PER OUTER
CARTON BOX
P/N: 96708-0005



1600 SETS PER INNER
CARTON BOX
P/N: 96707-0001

THIS DRAWING CONTAINS INFORMATION THAT IS PROPRIETARY TO MOLEX ELECTRONIC TECHNOLOGIES, LLC AND SHOULD NOT BE USED WITHOUT WRITTEN PERMISSION

DIMENSION UNITS		SCALE		CURRENT REV DESC:		molex					
HYBRID		NTS									
GENERAL TOLERANCES (UNLESS SPECIFIED)				EC NO: 608592		SMP-MAX EVO II J/J BULLET SYM 4 SLOTS L=12.15 EWR-11096					
ANGULAR TOL ± °				DRWN: RYEH 2018/11/09							
4 PLACES ±				CHK'D: YCHENG 2018/12/12		PRODUCT CUSTOMER DRAWING					
3 PLACES ±				APPR: YCHENG 2018/12/12							
2 PLACES ±				INITIAL REVISION:		DOCUMENT NUMBER		DOC TYPE	DOC PART	REVISION	
1 PLACE ±				DRWN: RYEH 2017/06/16		734205860		PSD	000	A2	
0 PLACES ±				APPR: YCHENG 2017/12/25		MATERIAL NUMBER		CUSTOMER		SHEET NUMBER	
DRAFT WHERE APPLICABLE MUST REMAIN WITHIN DIMENSIONS				THIRD ANGLE PROJECTION 		DRAWING C-SIZE		SERIES 73420		SEE TABLE	

DOCUMENT STATUS	P1	RELEASE DATE	2018/12/12	08:11:10
-----------------	----	--------------	------------	----------