

DO NOT SCALE DRAWING  
DIMENSION IN METRIC

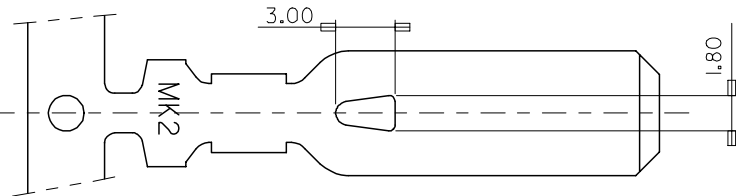
C

PROJECT NO.

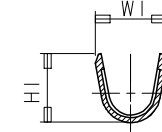
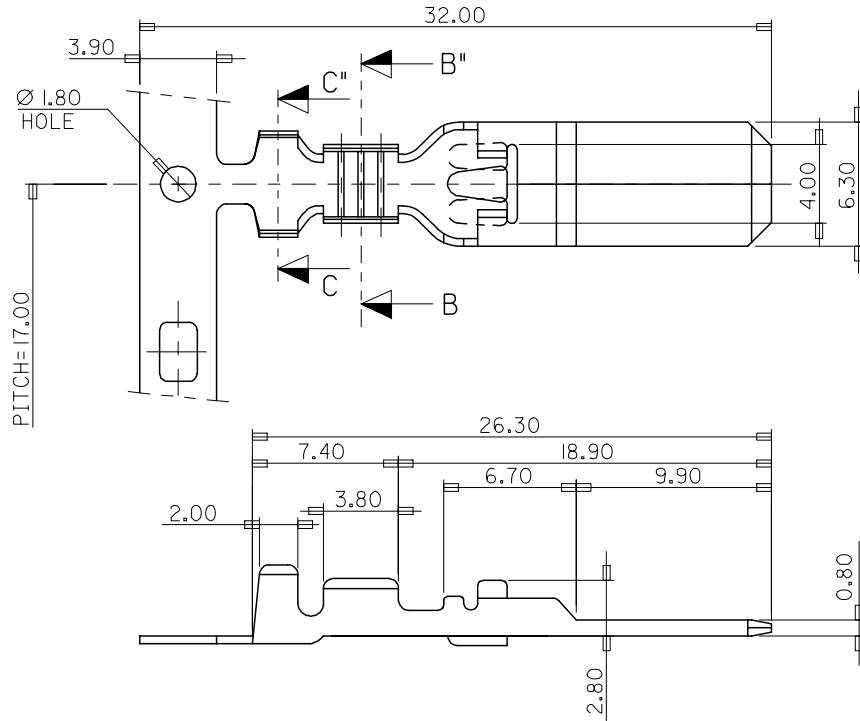
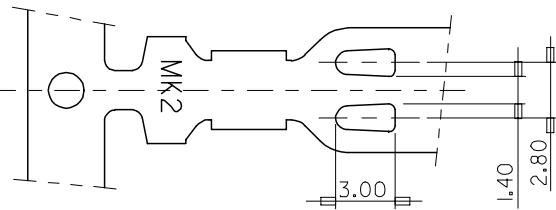
SIMILAR ITEM

DWG. NO.  
SD-35452-001

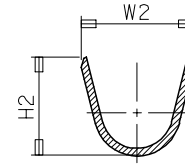
"A" TYPE  
35452-9\*02



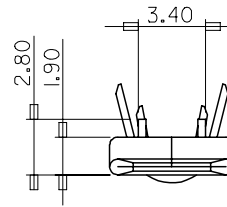
"B" TYPE  
35453-9\*02



SECTION B-B'



SECTION C-C'



NOTES

1. MATERIAL: BRASS
2. FINISHES: PRE-TIN PLATED

ENG.NO	MATERIAL NO.	W1	H1	W2	H2
3545*-9702	3545*9702	2.8	2.8	3.8	3.8
3545*-9802	3545*9802	3.5	3.5	5.6	5.2
3545*-9902	3545*9902	5.0	4.8	6.3	6.3

\* : 2 AND 3

REVISED	EC NO. KOR2002-0099	QUALITY SYMBOLS
DRWN: C.B.CHIN 02/04/08	CHK: W.Y.YANG	MAJOR = 0
APPR: C.W.LEE		CRITICAL = 0
DESCRIPTION		
REV		
A		

GENERAL TOLERANCES: (UNLESS SPECIFIED)	SCALE 4:1	DESIGN UNITS <input checked="" type="checkbox"/> mm <input type="checkbox"/> INCH	THIRD ANGLE PROJECTION <input checked="" type="checkbox"/> THIRD ANGLE	DIMENSIONS: <input type="checkbox"/> mm <input type="checkbox"/> INCH <input type="checkbox"/> mm <input checked="" type="checkbox"/> MM	SHT	REV
4 PLACES ±0.1	DRAWN BY & DATE W.Y.YANG 97/11/04		TITLE: .250 HEAVY TAB-(A),(B)			
3 PLACES ±0.1	CHECKED BY & DATE B.K.CHOI 97/11/04					
2 PLACES ±0.30	APPROVED BY & DATE C.W.LEE 97/11/04					
1 PLACE ±0.30	CAD FILENAME S35452AA.DGN					
ANGULAR: ± 1.0 °						
DRAFT WHERE APPLICABLE MUST REMAIN WITHIN DIMENSIONS	THIS DRAWING CONTAINS INFORMATION THAT IS PROPRIETARY TO MOLEX INCORPORATED AND SHOULD NOT BE USED WITHOUT WRITTEN PERMISSION.					
						SIZE B










8

7

6

5

4

3

2

MX-A3

F

E

D

C

B

A