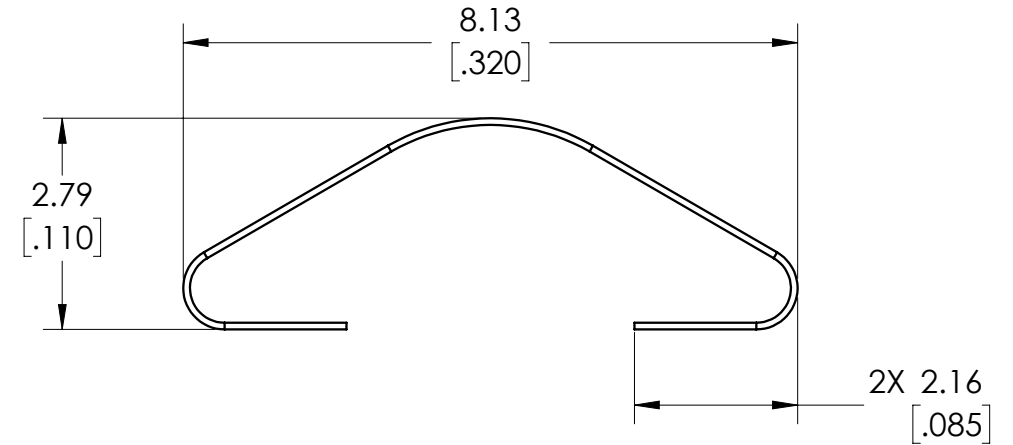
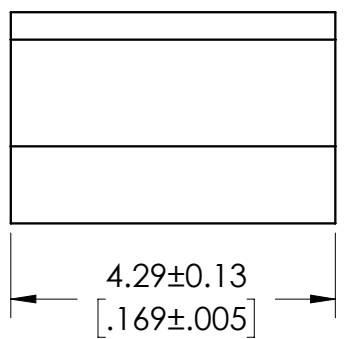


| 8 | 7 | 6 | 5 |
|--------------------------|------------------------|--------------------|-----------------------------|
| BASE PART NUMBER | THICKNESS | MATERIAL | STANDARD LENGTH PART NUMBER |
| 0077-0062 (STANDARD) | 0.089 ± 0.005 [0.0035] | BeCu ALLOY 25 TH01 | 0077006202 |
| 0078-0062 (ULTRASOFT) | 0.051 ± 0.005 [0.0020] | BeCu ALLOY 25 TH01 | 0078006202 |

| PLATING CODE TABLE | |
|---|---------------|
| NUMBER CODE | PLATING TYPE |
| 02 | BRIGHT FINISH |
| 17 | BRIGHT TIN |
| 19 | BRIGHT NICKEL |
| MORE PLATING OPTIONS AVAILABLE CONTACT LAIRD SALES FOR DETAILS | |



PART NUMBER CONFIGURATION:
007X 0062 XX

7 FOR ULTRASOFT
8 FOR ULTRASOFT

PLATING CODE
(SEE TABLE)

EXAMPLE: 0078006217
ULTRASOFT, BRIGHT TIN PLATING

| | | |
|---|----------------------|--|
| UNITS: MM [INCH] | Laird | LAIRD DRAWING NUMBER: 0077-0062-SALES |
| TOLERANCES: X.X = ± 0.4 X.XX = ± 0.2 X.XXX = ± 0.1 | | THIS IS AN UNCONTROLLED SALES DRAWING. THE DIMENSIONAL CHARACTERISTICS AND TOLERANCES OF THIS PART SHOWN ON THIS DRAWING AS A REFERENCE TO THE DIMENSIONAL SPECIFICATIONS OF THE LAIRD STANDARD PRODUCTION DRAWING FOR THIS PART. ANY SUBSEQUENT CHANGES TO THE STANDARD PART SPECIFICATION WILL SUPERSEDE THIS SALES DRAWING. |
| ANGULAR: X° = ± 3° X.X° = ± 1.0° | 3RD ANGLE PROJECTION | |
| | SCALE: 10:1 | SHEET 1 OF 1 |
| | | SIZE B |