

SRP-FPV240-03

21.5" Full HD TFT LED LCD Industrial Touch Panel ACP Ready ThinClient, Stainless design with IP69K Rated

NEW



Features

- Verified with ACP ThinManager, ACP BIOS enabled
- Stainless steel chassis with IP69K waterproof rating (with flange adapter)
- 4th Generation Intel® Celeron® J1900 processor 2.42 GHz with 4GB DDR3L Memory
- 21.5" full HD TFT LED LCD display
- 16:9 wide screen with PCT touch
- True flat front panel design with 7H glass
- Two independent LANs support Ethernet redundancy allowing the terminal to activate and switch to the backup port in a seamless fashion

Introduction

Realize the true value of thin client and centralized management technologies with Advantech's ThinManager compatible industrial thin clients. ACP's ThinManager, the leading thin client solution for the factory floor, and Advantech's industrially hardened thin client hardware provide a unique solution for centralized management of factory floor applications. The SRP-FPV240-03 is the perfect ThinManager 21.5" wide screen industrial panel thin client for applications where flexibility and reliability of PCT touch panel and IP69K stainless design are desired. We also suggest installing the accessory IPPC-5211WS-EMKE flange adapter to provide IP69K protection on the rear side.

Specifications

General

- **Certification** IP69K, CE, FCC Class A, UL, CCC, BSMI
- **Dimensions (W x H x D)** 555 x 346.5 x 81 (21.85" x 13.64" x 3.19")
Front: Stainless steel
Back: Aluminum / stainless steel (optional)
- **Enclosure** VESA and flange adapter for arm and foot system
- **Mounting** VESA and flange adapter for arm and foot system
- **Power Consumption** 40.8 W
- **Power Input** 21~27 V_{DC}
- **Weight** 15.8 Kg

System Hardware

- **BIOS** ACP BIOS enabled
- **CPU** 4th Generation Intel® Celeron® J1900 Processor
2.42 GHz
- **Memory** 4 GB DDR3L SO-DIMM
- **Ethernet** RTL8111E-VL-CG
- **I/O Interface** 2 x 10/100/1000 Mbps RJ45
1 x RS-232
1 x RS-232/RS-485/RS-422
1 x USB 2.0, 1 x USB 3.0

LCD

- **Display Type** Full HD TFT LED LCD
- **Display Size** 21.5"
- **Max. Resolution** 1920 x 1080
- **Max. Colors** 16.7M
- **Luminance (cd/m²)** 300
- **Viewing Angle(H/V)** 178 / 178
- **Backlight Life** 50,000 hrs

Touchscreen

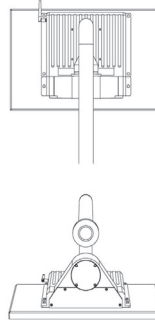
- **Light Transmission** $\geq 88\%$
- **Resolution** 4096 x 4096 dpi
- **Type** Projected capacitive

Environment

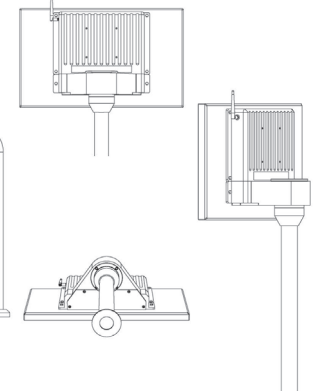
- **Humidity** 10 ~ 95% RH @ 40°C, non-condensing
Note: Tested for 48 hrs
- **Operating Temperature** 0 ~ 50°C (32 ~ 122°F)
- **Storage Temperature** -20 ~ 60°C (-4 ~ 140°F)
- **Vibration Protection** Operating, 1 Grms, random, 5~500Hz

Installation Scenario

Arm System

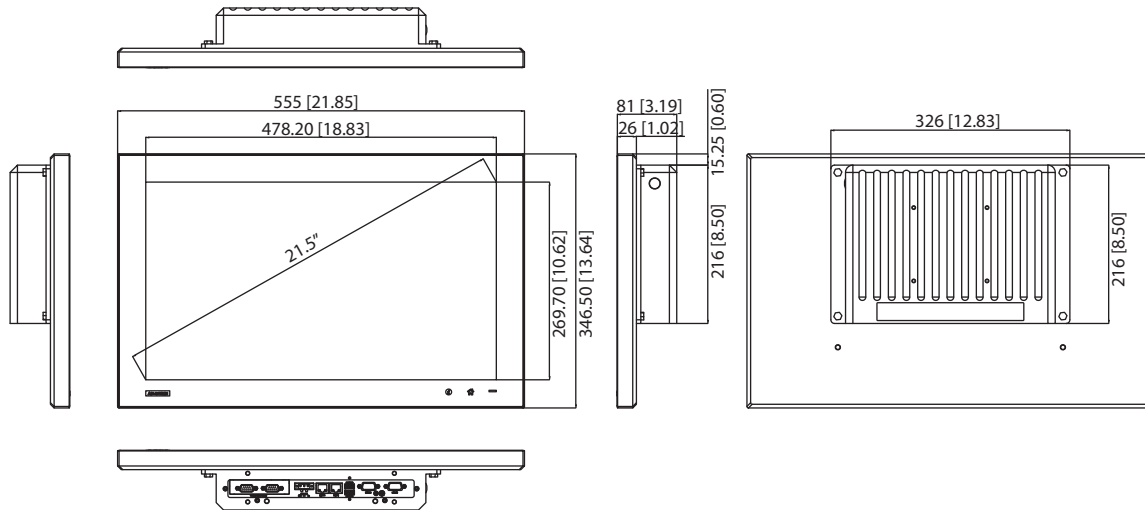


Foot System



Dimensions

Unit: mm [inch]



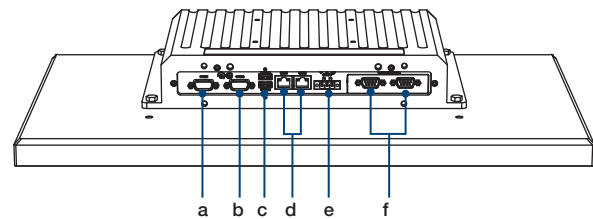
Ordering Information

- **SRP-FPV240-03** IPCC-5211WS-J3AE, ACP Ready ThinClient, 21" Stainless Full HD Wide Touch Screen

Optional Accessories

- **96PSA-A60W24T2** A/D Power adapter 100-240V 60W 24V
- **IPPC-5211WS-EMKE** Flange adapter for connecting the front panel with the arm or foot system and IP69K protection in read side
- **IPPC-5000-FLAE** Stainless steel option of flange adapter

Rear View



- a. COM1 (RS-232)
- b. COM2 (RS232/RS485/RS422)
- c. 2 x USB (USB 1 x 3.0, 1 x 2.0)
- d. 2 x LAN (10/100/1000 Mbps)
- e. Power Inlet
- f. iDoor

IPPC-5211WS-EMKE

