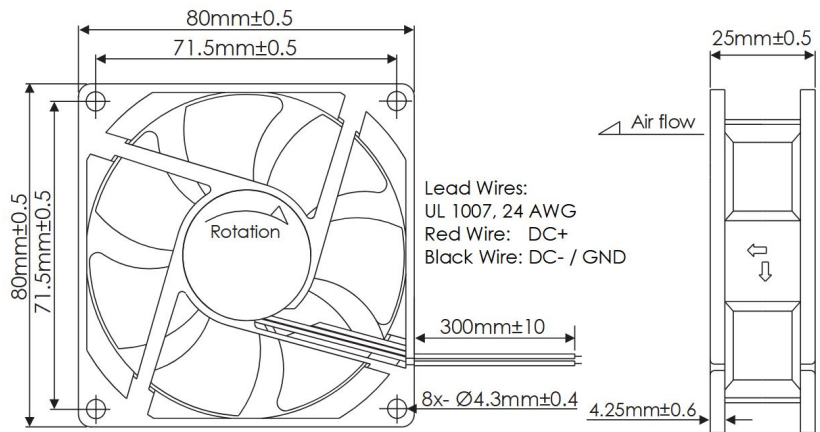


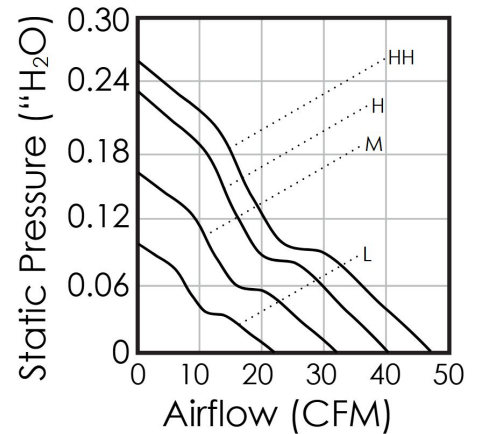
OD8025 IP68 Series



DC Fans - 12, 24, 48V
80mm x 25mm (3.15" x 1.0")



Frame	PBT, UL94 V-0 Plastic	Operating Temperature -15°C ~ +65°C Storage Temperature -25°C ~ +70°C Life Expectancy 60,000 Hours (L10 at 45°C) Available Options Tachometer Output Alarm Output PWM Speed Control Input Other Voltages and Speeds Weight: 0.19 lbs
Impeller	PBT, UL94 V-0 Plastic	
Connection	2x Lead Wires, 24 AWG	
Motor	Brushless DC, Auto Cutoff, Auto Restart, Polarity Protected, Electronically Protected, IP68	
Bearing System	Ball Bearings	
Dielectric Strength	500VDC/min, <1mA	
Insulation Resistance	≥10MΩ @ 500V DC	



Part Number	Rated Voltage (Volts DC)	Voltage Range (Volts DC)	Input Power (Watts)	Rated Current (Amps)	Rated Speed (RPM)	Max Airflow (CFM)	Noise Level (dBA)	Max Static Pressure ("H ₂ O)
OD8025-12HHBIP68	12	8 ~ 13.8	2.2	0.18	3800	48	35	0.26
OD8025-12HBIP68	12	8 ~ 13.8	2.2	0.18	3300	40	33	0.23
OD8025-12MBIP68	12	8 ~ 13.8	1.8	0.15	2700	32	28	0.16
OD8025-12LBIP68	12	8 ~ 13.8	1.4	0.12	2000	22	21	0.10
OD8025-24HHBIP68	24	14 ~ 26.4	2.9	0.20	3800	48	35	0.26
OD8025-24HBIP68	24	14 ~ 26.4	2.9	0.12	3300	40	33	0.23
OD8025-24MBIP68	24	14 ~ 26.4	2.4	0.10	2700	32	28	0.16
OD8025-24LBIP68	24	14 ~ 26.4	2.0	0.08	2000	22	21	0.10
OD8025-48HHBIP68	48	34 ~ 52.8	3.8	0.08	3800	48	35	0.26
OD8025-48HBIP68	48	34 ~ 52.8	3.8	0.08	3300	40	33	0.23